

specified in
THE MANUAL ON UNIFORM TRAFFIC CONTROL DEVICES
FOR STREETS AND HIGHWAYS

as approved by

AMERICAN ASSOCIATION OF STATE HIGHWAY OFFICIALS

INSTITUTE OF TRAFFIC ENGINEERS

NATIONAL COMMITTEE ON UNIFORM TRAFFIC LAWS AND ORDINANCES

NATIONAL ASSOCIATION OF COUNTY OFFICIALS

AMERICAN MUNICIPAL ASSOCIATION

U. S. DEPARTMENT OF COMMERCE
Bureau of Public Roads
1961

FOR OFFICIAL DISTRIBUTION

STANDARD ALPHABETS FOR HIGHWAY SIGNS

1961 REPRINT

These Standard Alphabets for Highway Signs were designed by the U. S. Bureau of Public Roads at the request of the Joint Committee on Uniform Traffic Control Devices, approved by that committee, and first published in 1945. The "rounded" style was created to replace an earlier more angular design, for better legibility and a more pleasing appearance.

Most highway departments and sign manufacturers will find it desirable to make up a set of templates of light material to simplify the laying out of signs. The letters and numerals may be reproduced in any required size by following the table of dimensions carried on each sheet of the drawings (or by adjusting dimensions proportionally for sizes not shown), or by a photographic enlargement or reduction of drawings of any size. It is not recommended, however, that photographic enlargements be made from the small printed drawings, which will be found to vary slightly in dimensional accuracy.

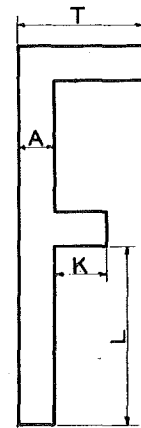
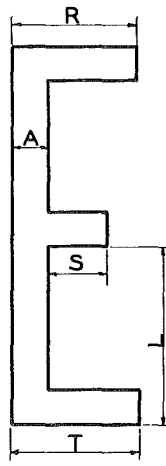
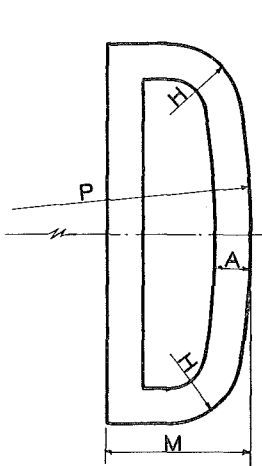
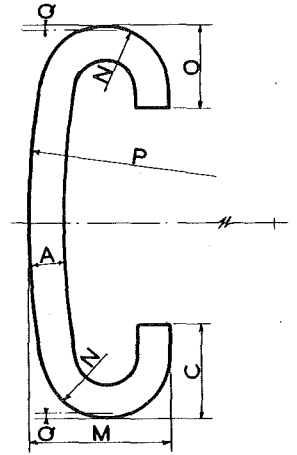
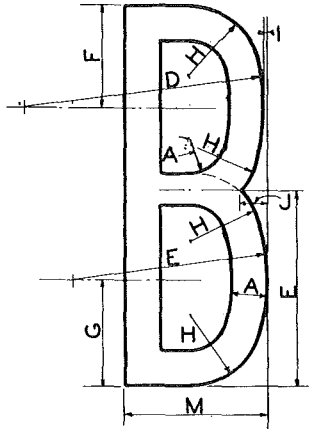
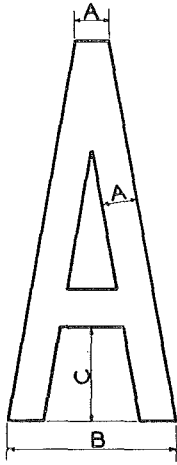
To facilitate the laying out of different sizes of letters and numerals, the detailed dimensions are shown only in a letter code referring to the tabulation at the bottom of each sheet. Tangents, major arcs, and certain indicated control points are laid down first, followed by the connecting arcs of shorter radius. Two circumstances must be noted:

1. Under certain conditions the radii of connecting arcs cannot be given precisely. In these cases there is only one possible arc that can fit accurately to all controlling points. The dimension given on the drawing is a close approximation, but the draftsman may have to make a slight adjustment to achieve a perfect fit. This applies especially to the large letters, since the dimensions on the tables were generally derived from measurements on smaller drawings.
2. For similar reasons, it is not practical to show the exact centers of all arcs. Centers are invariably indicated for the controlling arcs. For others the draftsman must set his compasses and find the center by experiment.

The stroke-width of the letters and numerals is uniform throughout any size and series of alphabet, except where otherwise definitely indicated.

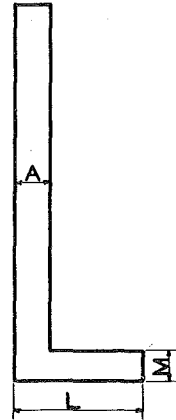
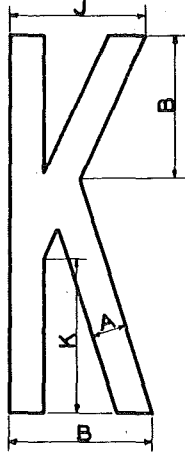
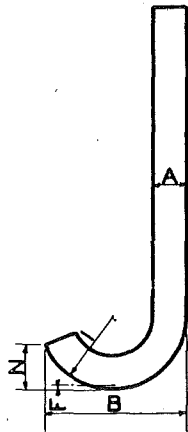
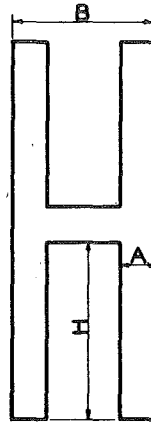
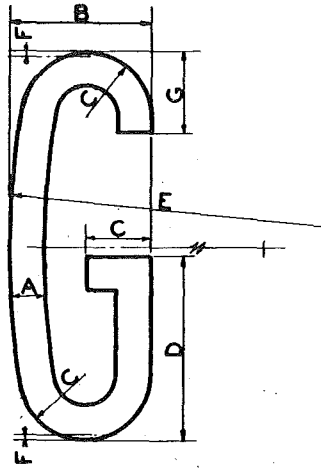
All characters having an arc at top or bottom are extended slightly above or below the line of the other letters. This is in accord with accepted practice for rounded letters.

If the design of any particular letter or numeral in a given size is incompatible with any manufacturing process, necessary modifications may be made within reasonable limits. For example, the height or length of a horizontal member may have to be adjusted slightly to permit a satisfactory arrangement of reflector buttons, or to provide necessary clearance for embossing dies.



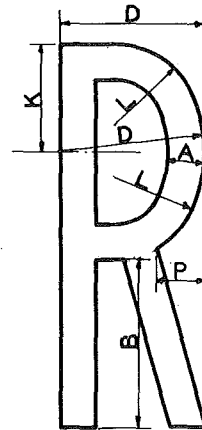
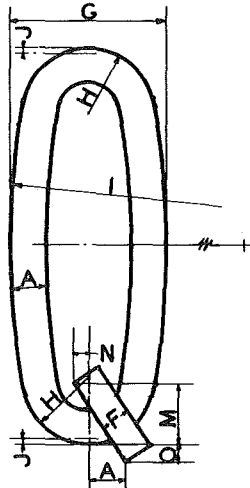
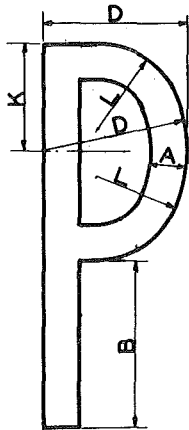
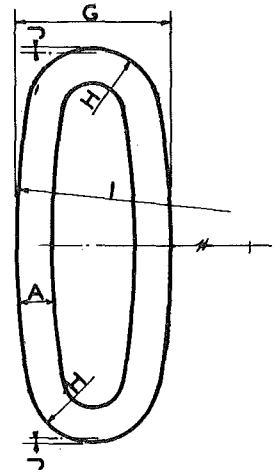
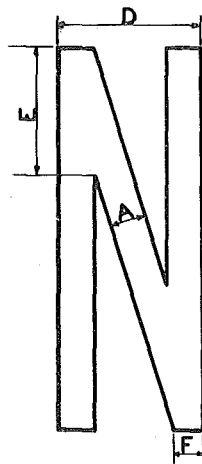
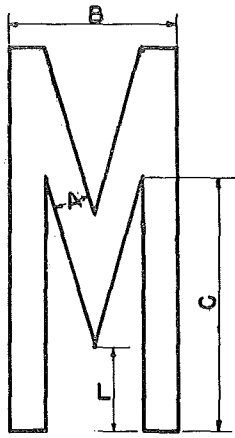
SERIES A LETTERS

| HEIGHT (INCHES) | DIMENSIONS (INCHES) | | | | | | | | | | | | | | | | | | | |
|--------------------|---------------------|-----------------|----------------|-----------------|------------------|------------------|------------------|-----------------|----------------|-----------------|------------------|------------------|----------------|------------------|------------------|-----------------|----------------|------------------|------------------|------------------|
| | A | B | C | D | E | F | G | H | I | J | K | L | M | N | O | P | Q | R | S | T |
| 2 | $\frac{3}{16}$ | $\frac{7}{8}$ | $\frac{1}{2}$ | $1\frac{1}{4}$ | $1\frac{1}{32}$ | $\frac{17}{32}$ | $\frac{9}{16}$ | $\frac{3}{8}$ | $\frac{1}{4}$ | $\frac{9}{64}$ | $\frac{9}{32}$ | $\frac{15}{16}$ | $\frac{3}{4}$ | $\frac{1}{2}$ | $\frac{7}{16}$ | $4\frac{1}{2}$ | $\frac{1}{32}$ | $2\frac{1}{32}$ | $\frac{5}{16}$ | $\frac{43}{64}$ |
| 3 | $\frac{9}{32}$ | $1\frac{5}{16}$ | $\frac{3}{4}$ | $1\frac{7}{8}$ | $1\frac{35}{64}$ | $\frac{51}{64}$ | $\frac{27}{32}$ | $\frac{9}{16}$ | $\frac{1}{4}$ | $\frac{13}{64}$ | $\frac{27}{64}$ | $1\frac{13}{32}$ | $1\frac{1}{8}$ | $\frac{33}{64}$ | $\frac{21}{32}$ | $6\frac{3}{4}$ | $\frac{3}{64}$ | $6\frac{3}{64}$ | $\frac{15}{32}$ | 1 |
| 4 | $\frac{3}{8}$ | $1\frac{3}{4}$ | 1 | $2\frac{1}{2}$ | $2\frac{1}{16}$ | $1\frac{1}{16}$ | $1\frac{1}{8}$ | $\frac{3}{4}$ | $\frac{1}{32}$ | $\frac{9}{32}$ | $\frac{9}{16}$ | $1\frac{7}{8}$ | $1\frac{1}{2}$ | $\frac{11}{16}$ | $\frac{7}{8}$ | 9 | $\frac{1}{16}$ | $1\frac{5}{16}$ | $\frac{5}{8}$ | $1\frac{1}{32}$ |
| 5 | $1\frac{15}{32}$ | $2\frac{3}{16}$ | $1\frac{1}{4}$ | $3\frac{1}{8}$ | $2\frac{27}{64}$ | $1\frac{21}{64}$ | $1\frac{13}{32}$ | $\frac{15}{16}$ | $\frac{1}{32}$ | $\frac{11}{32}$ | $\frac{45}{64}$ | $2\frac{11}{32}$ | $1\frac{7}{8}$ | $\frac{55}{64}$ | $1\frac{3}{32}$ | $11\frac{1}{4}$ | $\frac{5}{64}$ | $1\frac{41}{64}$ | $\frac{25}{32}$ | $1\frac{43}{64}$ |
| 6 | $\frac{9}{16}$ | $2\frac{5}{8}$ | $1\frac{1}{2}$ | $3\frac{3}{4}$ | $3\frac{3}{32}$ | $1\frac{19}{32}$ | $1\frac{11}{16}$ | $\frac{1}{8}$ | $\frac{3}{64}$ | $\frac{27}{64}$ | $\frac{27}{32}$ | $2\frac{13}{16}$ | $2\frac{1}{2}$ | $1\frac{1}{32}$ | $1\frac{5}{16}$ | $13\frac{1}{2}$ | $\frac{3}{32}$ | $1\frac{3}{32}$ | $\frac{12}{16}$ | $2\frac{1}{64}$ |
| 7 | $\frac{21}{32}$ | $3\frac{1}{8}$ | $1\frac{3}{4}$ | $4\frac{3}{8}$ | $3\frac{39}{64}$ | $1\frac{25}{64}$ | $1\frac{31}{32}$ | $\frac{5}{16}$ | $\frac{3}{64}$ | $\frac{31}{64}$ | $\frac{63}{64}$ | $3\frac{9}{32}$ | $2\frac{5}{8}$ | $1\frac{13}{64}$ | $1\frac{17}{32}$ | $15\frac{3}{4}$ | $\frac{7}{64}$ | $2\frac{19}{64}$ | $1\frac{3}{32}$ | $2\frac{1}{32}$ |
| 8 | $\frac{7}{4}$ | $3\frac{1}{2}$ | 2 | 5 | $4\frac{1}{8}$ | $2\frac{1}{8}$ | $2\frac{1}{4}$ | $1\frac{1}{2}$ | $\frac{1}{16}$ | $\frac{9}{16}$ | $1\frac{1}{8}$ | $3\frac{3}{4}$ | 3 | $1\frac{3}{8}$ | $1\frac{3}{4}$ | 18 | $\frac{1}{8}$ | $2\frac{5}{8}$ | $1\frac{1}{4}$ | $2\frac{1}{16}$ |
| 12 | $1\frac{1}{8}$ | $5\frac{1}{4}$ | 3 | $7\frac{1}{2}$ | $6\frac{3}{16}$ | $3\frac{3}{16}$ | $3\frac{3}{8}$ | $2\frac{1}{4}$ | $\frac{3}{32}$ | $\frac{27}{32}$ | $1\frac{11}{16}$ | $5\frac{5}{8}$ | $4\frac{1}{2}$ | $2\frac{1}{16}$ | $2\frac{5}{8}$ | 27 | $\frac{3}{16}$ | $3\frac{15}{16}$ | $1\frac{7}{8}$ | $4\frac{1}{32}$ |
| 18 | $1\frac{11}{16}$ | $7\frac{7}{8}$ | $4\frac{1}{2}$ | $11\frac{1}{4}$ | $9\frac{9}{32}$ | $4\frac{25}{32}$ | $5\frac{1}{16}$ | $3\frac{3}{8}$ | $\frac{1}{8}$ | $1\frac{1}{4}$ | $2\frac{17}{32}$ | $8\frac{7}{16}$ | $6\frac{3}{4}$ | $3\frac{3}{32}$ | $3\frac{15}{16}$ | $40\frac{1}{2}$ | $\frac{9}{32}$ | $5\frac{29}{32}$ | $2\frac{13}{16}$ | $6\frac{1}{8}$ |



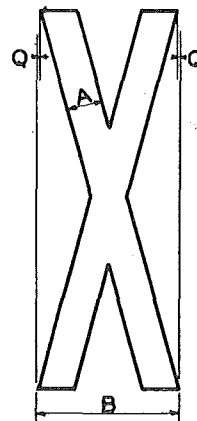
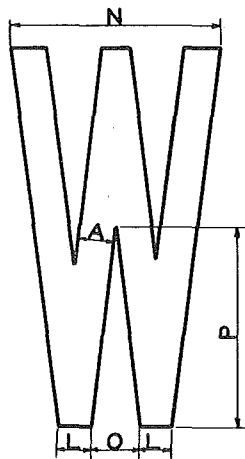
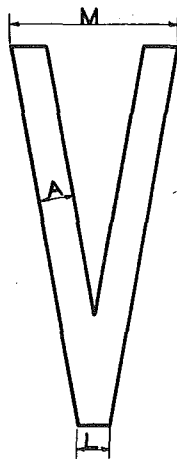
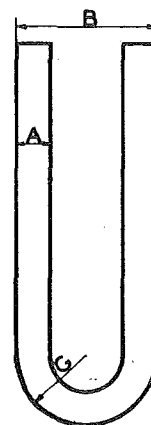
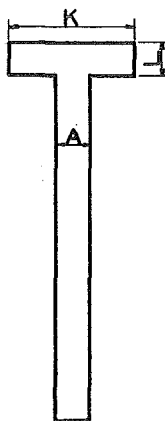
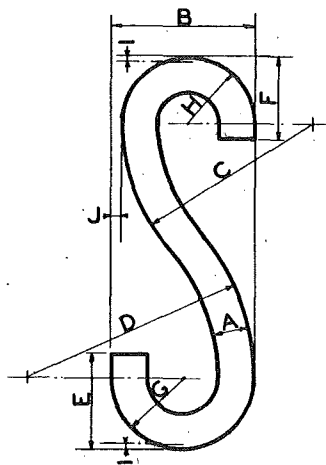
SERIES A LETTERS

| HEIGHT (INCHES) | DIMENSIONS (INCHES) | | | | | | | | | | | | | |
|--------------------|---------------------|----------------|------------------|------------------|-----------------|----------------|------------------|------------------|------------------|------------------|------------------|------------------|-----------------|----------------|
| | A | B | C | D | E | F | G | H | I | J | K | L | M | N |
| 2 | $\frac{3}{16}$ | $\frac{7}{8}$ | $\frac{11}{32}$ | $\frac{31}{32}$ | $4\frac{1}{2}$ | $\frac{1}{32}$ | $\frac{7}{16}$ | $\frac{15}{16}$ | $\frac{23}{32}$ | $\frac{13}{16}$ | $\frac{33}{64}$ | $\frac{11}{64}$ | $\frac{1}{4}$ | $\frac{1}{4}$ |
| 3 | $\frac{3}{32}$ | $1\frac{1}{8}$ | $\frac{33}{64}$ | $1\frac{23}{64}$ | $6\frac{3}{4}$ | $\frac{3}{64}$ | $\frac{21}{32}$ | $1\frac{13}{32}$ | $\frac{27}{64}$ | $\frac{5}{64}$ | $1\frac{7}{32}$ | 1 | $\frac{1}{4}$ | $\frac{3}{8}$ |
| 4 | $\frac{3}{8}$ | $1\frac{1}{2}$ | $\frac{11}{16}$ | $1\frac{15}{16}$ | 9 | $\frac{1}{16}$ | $\frac{7}{8}$ | $1\frac{7}{8}$ | $\frac{25}{32}$ | $1\frac{7}{16}$ | $1\frac{5}{8}$ | $1\frac{11}{32}$ | $\frac{11}{32}$ | $\frac{1}{2}$ |
| 5 | $\frac{15}{32}$ | $1\frac{7}{8}$ | $\frac{25}{64}$ | $2\frac{27}{64}$ | $11\frac{1}{2}$ | $\frac{5}{64}$ | $1\frac{3}{32}$ | $2\frac{11}{32}$ | $\frac{31}{32}$ | $\frac{11}{64}$ | $2\frac{1}{32}$ | $1\frac{43}{64}$ | $\frac{27}{64}$ | $\frac{5}{8}$ |
| 6 | $\frac{3}{16}$ | $2\frac{1}{4}$ | $1\frac{1}{2}$ | $2\frac{29}{32}$ | $13\frac{1}{2}$ | $\frac{3}{32}$ | $1\frac{5}{16}$ | $2\frac{13}{16}$ | $1\frac{11}{64}$ | $2\frac{5}{16}$ | $2\frac{7}{16}$ | $2\frac{1}{4}$ | $\frac{33}{64}$ | $\frac{3}{4}$ |
| 7 | $\frac{21}{32}$ | $2\frac{5}{8}$ | $1\frac{13}{64}$ | $3\frac{25}{64}$ | $15\frac{3}{4}$ | $\frac{7}{64}$ | $1\frac{17}{32}$ | $3\frac{3}{32}$ | $1\frac{23}{64}$ | $2\frac{23}{32}$ | $2\frac{27}{32}$ | $2\frac{31}{32}$ | $\frac{19}{32}$ | $\frac{7}{8}$ |
| 8 | $\frac{3}{4}$ | 3 | $1\frac{3}{8}$ | $3\frac{7}{8}$ | 18 | $\frac{1}{8}$ | $1\frac{3}{4}$ | $3\frac{3}{4}$ | $1\frac{9}{16}$ | $2\frac{7}{8}$ | 3 $\frac{1}{4}$ | $2\frac{11}{16}$ | $\frac{11}{16}$ | 1 |
| 12 | $1\frac{1}{8}$ | $4\frac{1}{2}$ | $2\frac{1}{16}$ | $5\frac{13}{16}$ | 27 | $\frac{3}{16}$ | $2\frac{5}{8}$ | $5\frac{5}{8}$ | $2\frac{3}{32}$ | $4\frac{5}{16}$ | $4\frac{7}{8}$ | $4\frac{3}{32}$ | $1\frac{1}{2}$ | $1\frac{1}{2}$ |
| 18 | $1\frac{11}{16}$ | $6\frac{3}{4}$ | $3\frac{3}{32}$ | $8\frac{23}{32}$ | $40\frac{1}{2}$ | $\frac{9}{32}$ | $3\frac{15}{16}$ | $8\frac{7}{16}$ | $3\frac{23}{64}$ | $6\frac{15}{32}$ | $7\frac{5}{16}$ | $6\frac{1}{16}$ | $1\frac{9}{16}$ | $2\frac{1}{4}$ |



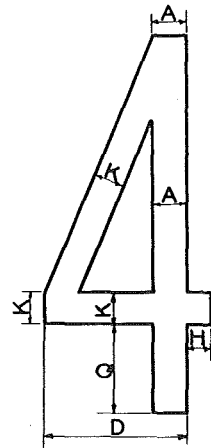
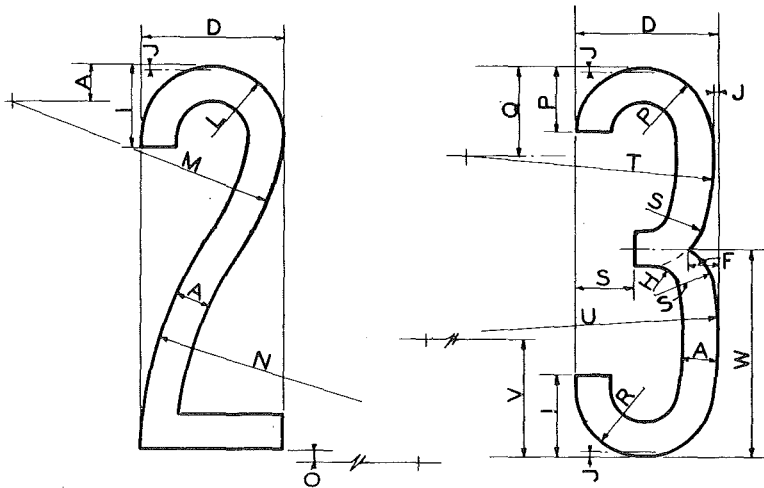
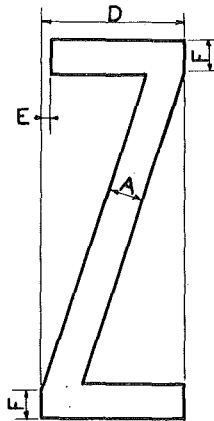
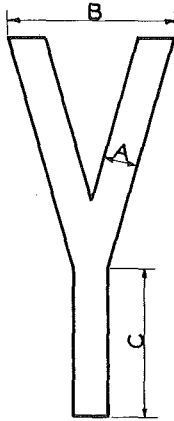
SERIES A LETTERS

| HEIGHT (INCHES) | DIMENSIONS (INCHES) | | | | | | | | | | | | | | | |
|--------------------|---------------------|-----------------|-------------------|----------------|------------------|-----------------|------------------|------------------|-----------------|----------------|------------------|------------------|------------------|-----------------|-----------------|----------------|
| | A | B | C | D | E | F | G | H | I | J | K | L | M | N | O | P |
| 2 | $\frac{3}{16}$ | $\frac{7}{8}$ | $\frac{15}{16}$ | $\frac{3}{4}$ | $\frac{21}{32}$ | $\frac{5}{32}$ | $\frac{13}{16}$ | $\frac{11}{32}$ | $4\frac{1}{2}$ | $\frac{1}{32}$ | $\frac{9}{16}$ | $\frac{7}{16}$ | $\frac{5}{16}$ | $\frac{5}{64}$ | $\frac{3}{32}$ | $\frac{1}{4}$ |
| 3 | $\frac{9}{32}$ | $\frac{15}{16}$ | $\frac{31}{32}$ | $1\frac{1}{8}$ | $\frac{63}{64}$ | $\frac{15}{64}$ | $\frac{17}{32}$ | $\frac{33}{64}$ | $6\frac{3}{4}$ | $\frac{3}{64}$ | $\frac{27}{32}$ | $\frac{21}{32}$ | $\frac{15}{32}$ | $\frac{7}{64}$ | $\frac{9}{64}$ | $\frac{3}{8}$ |
| 4 | $\frac{3}{8}$ | $1\frac{1}{4}$ | $2\frac{5}{8}$ | $1\frac{1}{2}$ | $1\frac{5}{16}$ | $\frac{5}{16}$ | $1\frac{5}{8}$ | $1\frac{11}{16}$ | 9 | $\frac{1}{16}$ | $1\frac{1}{8}$ | $\frac{7}{8}$ | $\frac{5}{8}$ | $\frac{5}{32}$ | $\frac{3}{16}$ | $\frac{1}{2}$ |
| 5 | $\frac{13}{32}$ | $2\frac{3}{16}$ | $3\frac{9}{32}$ | $1\frac{7}{8}$ | $1\frac{41}{64}$ | $\frac{25}{64}$ | $2\frac{3}{32}$ | $\frac{55}{64}$ | $11\frac{1}{4}$ | $\frac{5}{64}$ | $1\frac{13}{32}$ | $1\frac{3}{32}$ | $\frac{23}{32}$ | $\frac{3}{16}$ | $\frac{15}{64}$ | $\frac{5}{8}$ |
| 6 | $\frac{9}{16}$ | $2\frac{5}{8}$ | $3\frac{15}{16}$ | $2\frac{1}{4}$ | $1\frac{31}{32}$ | $\frac{15}{32}$ | $2\frac{7}{16}$ | $1\frac{1}{32}$ | $13\frac{1}{2}$ | $\frac{3}{32}$ | $1\frac{11}{16}$ | $1\frac{5}{16}$ | $\frac{15}{16}$ | $\frac{15}{64}$ | $\frac{9}{32}$ | $\frac{3}{4}$ |
| 7 | $\frac{21}{32}$ | $3\frac{1}{16}$ | $4\frac{19}{32}$ | $2\frac{5}{8}$ | $2\frac{19}{64}$ | $\frac{35}{64}$ | $2\frac{27}{32}$ | $1\frac{13}{64}$ | $15\frac{3}{4}$ | $\frac{7}{64}$ | $1\frac{31}{32}$ | $1\frac{17}{32}$ | $1\frac{5}{32}$ | $\frac{17}{64}$ | $\frac{21}{64}$ | $\frac{7}{8}$ |
| 8 | $\frac{3}{4}$ | $3\frac{1}{2}$ | $5\frac{1}{4}$ | 3 | $2\frac{5}{8}$ | $\frac{5}{8}$ | $3\frac{1}{4}$ | $1\frac{3}{8}$ | 18 | $\frac{1}{8}$ | $2\frac{1}{4}$ | $1\frac{3}{4}$ | $1\frac{1}{4}$ | $\frac{5}{16}$ | $\frac{3}{8}$ | 1 |
| 12 | $1\frac{1}{8}$ | $5\frac{1}{4}$ | $7\frac{7}{8}$ | $4\frac{1}{2}$ | $3\frac{15}{16}$ | $\frac{13}{16}$ | $4\frac{7}{8}$ | $2\frac{1}{16}$ | 27 | $\frac{3}{16}$ | $3\frac{3}{8}$ | $2\frac{3}{8}$ | $1\frac{7}{8}$ | $\frac{15}{32}$ | $\frac{9}{16}$ | $1\frac{1}{2}$ |
| 16 | $1\frac{11}{16}$ | $7\frac{7}{8}$ | $11\frac{13}{16}$ | $6\frac{3}{4}$ | $5\frac{23}{32}$ | $\frac{13}{32}$ | $7\frac{5}{16}$ | $3\frac{3}{32}$ | $40\frac{1}{2}$ | $\frac{9}{32}$ | $5\frac{1}{16}$ | $3\frac{15}{16}$ | $2\frac{13}{16}$ | $\frac{11}{16}$ | $\frac{27}{32}$ | $2\frac{1}{4}$ |



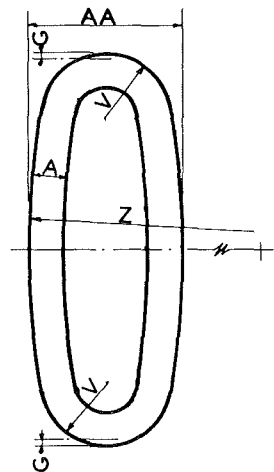
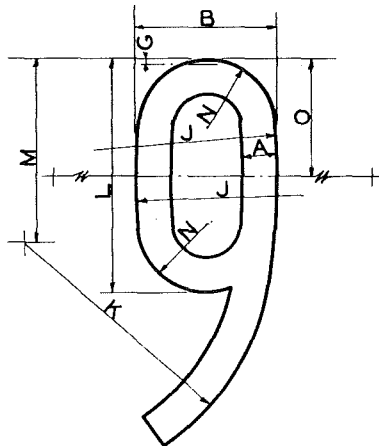
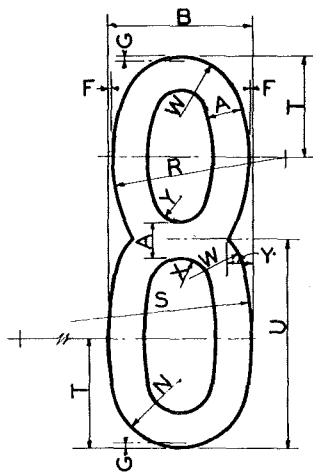
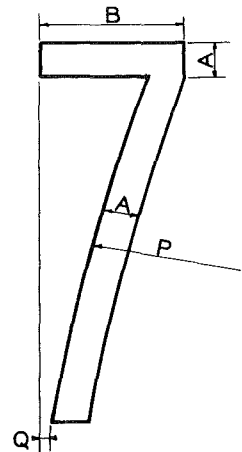
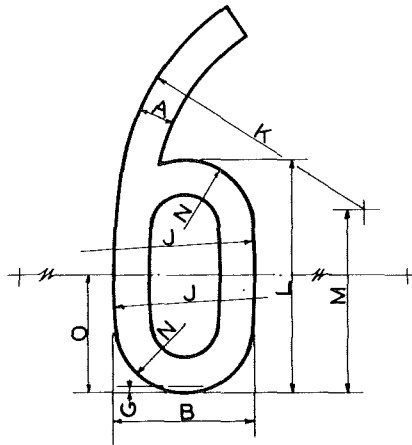
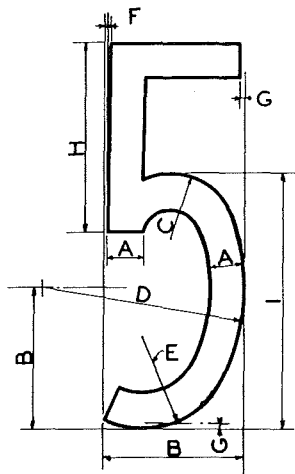
SERIES A LETTERS

| HEIGHT (INCHES) | DIMENSIONS (INCHES) | | | | | | | | | | | | | | | | |
|--------------------|---------------------|----------------|----------------|-------------------|----------------|------------------|-----------------|------------------|----------------|----------------|------------------|-----------------|-----------------|------------------|----------------|------------------|----------------|
| | A | B | C | D | E | F | G | H | I | J | K | L | M | N | O | P | Q |
| 2 | $\frac{3}{16}$ | $\frac{7}{8}$ | 1 | $1\frac{3}{8}$ | $\frac{1}{2}$ | $\frac{7}{16}$ | $\frac{3}{8}$ | $\frac{11}{32}$ | $\frac{1}{32}$ | $\frac{3}{4}$ | $\frac{13}{64}$ | $\frac{11}{64}$ | $\frac{7}{8}$ | $1\frac{3}{32}$ | $\frac{1}{4}$ | $1\frac{1}{16}$ | $\frac{1}{4}$ |
| 3 | $\frac{9}{32}$ | $1\frac{1}{8}$ | $1\frac{1}{2}$ | $1\frac{25}{32}$ | $\frac{3}{4}$ | $\frac{21}{32}$ | $\frac{9}{16}$ | $\frac{17}{32}$ | $\frac{3}{64}$ | $\frac{1}{16}$ | 1 | $\frac{1}{4}$ | $1\frac{5}{16}$ | $1\frac{11}{64}$ | $\frac{3}{8}$ | $1\frac{19}{32}$ | $\frac{1}{4}$ |
| 4 | $\frac{3}{8}$ | $1\frac{1}{2}$ | 2 | $2\frac{3}{8}$ | 1 | $\frac{7}{8}$ | $\frac{3}{4}$ | $\frac{15}{64}$ | $\frac{1}{16}$ | $\frac{3}{32}$ | $1\frac{11}{32}$ | $\frac{11}{32}$ | $1\frac{1}{2}$ | $2\frac{1}{8}$ | $\frac{1}{2}$ | $2\frac{1}{8}$ | $\frac{1}{2}$ |
| 5 | $\frac{15}{32}$ | $1\frac{7}{8}$ | $2\frac{1}{2}$ | $2\frac{31}{32}$ | $1\frac{1}{4}$ | $1\frac{3}{32}$ | $\frac{15}{16}$ | $\frac{7}{8}$ | $\frac{5}{64}$ | $\frac{7}{64}$ | $1\frac{13}{64}$ | $\frac{27}{64}$ | $2\frac{3}{8}$ | $2\frac{17}{64}$ | $\frac{5}{8}$ | $2\frac{21}{32}$ | $\frac{1}{32}$ |
| 6 | $\frac{9}{16}$ | $2\frac{1}{4}$ | 3 | $3\frac{3}{8}$ | $1\frac{1}{2}$ | $1\frac{5}{8}$ | $1\frac{1}{8}$ | $1\frac{3}{4}$ | $\frac{3}{32}$ | $\frac{9}{64}$ | $2\frac{1}{64}$ | $\frac{23}{64}$ | $2\frac{5}{8}$ | $3\frac{3}{32}$ | $\frac{3}{4}$ | $3\frac{1}{8}$ | $\frac{3}{4}$ |
| 7 | $\frac{21}{32}$ | $2\frac{5}{8}$ | $3\frac{1}{2}$ | $4\frac{5}{32}$ | $1\frac{3}{4}$ | $1\frac{17}{32}$ | $1\frac{5}{16}$ | $1\frac{15}{64}$ | $\frac{7}{64}$ | $\frac{5}{32}$ | $2\frac{11}{32}$ | $\frac{19}{32}$ | $3\frac{1}{16}$ | $3\frac{53}{64}$ | $\frac{7}{8}$ | $3\frac{53}{32}$ | $\frac{3}{64}$ |
| 8 | $\frac{3}{4}$ | 3 | 4 | $4\frac{1}{4}$ | 2 | $1\frac{3}{4}$ | $1\frac{1}{2}$ | $1\frac{13}{32}$ | $\frac{1}{8}$ | $\frac{1}{16}$ | $2\frac{1}{16}$ | $\frac{11}{16}$ | $3\frac{1}{2}$ | $4\frac{3}{8}$ | 1 | $4\frac{1}{4}$ | $\frac{1}{16}$ |
| 12 | $1\frac{1}{8}$ | $4\frac{1}{2}$ | 6 | $7\frac{1}{8}$ | 3 | $2\frac{5}{8}$ | $2\frac{1}{4}$ | $2\frac{7}{64}$ | $\frac{3}{16}$ | $\frac{3}{32}$ | $4\frac{1}{32}$ | $1\frac{1}{32}$ | $5\frac{1}{4}$ | $6\frac{1}{16}$ | $1\frac{1}{2}$ | $6\frac{3}{8}$ | $\frac{3}{32}$ |
| 18 | $1\frac{11}{16}$ | $6\frac{3}{4}$ | 9 | $10\frac{11}{16}$ | $4\frac{1}{2}$ | $3\frac{15}{16}$ | $3\frac{3}{8}$ | $3\frac{31}{32}$ | $\frac{9}{32}$ | $\frac{7}{16}$ | $6\frac{1}{16}$ | $1\frac{9}{16}$ | $7\frac{7}{8}$ | $9\frac{27}{32}$ | $2\frac{1}{4}$ | $9\frac{9}{16}$ | $\frac{1}{8}$ |



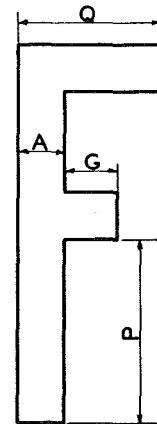
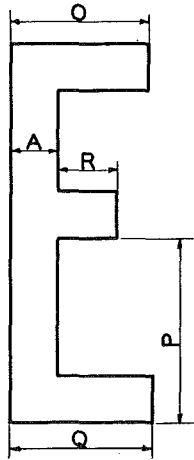
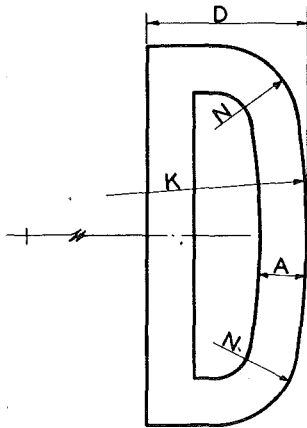
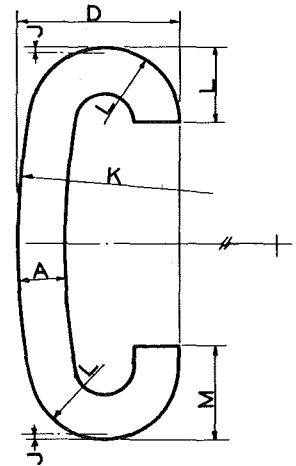
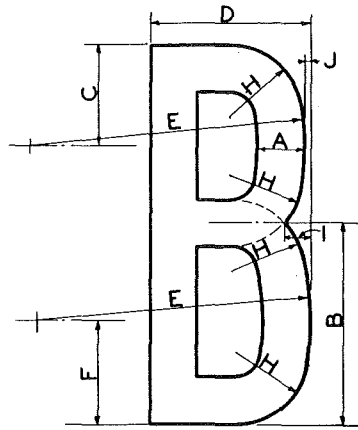
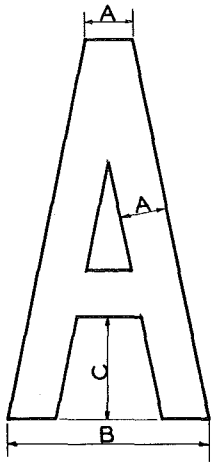
SERIES A LETTERS AND NUMERALS

| HEIGHT (INCHES) | DIMENSIONS (INCHES) | | | | | | | | | | | | | | | | | | | | | | |
|--------------------|---------------------|-----------------|------------------|----------------|----------------|-----------------|-----------------|----------------|------------------|----------------|-----------------|-----------------|-------------------|------------------|----------------|------------------|------------------|-----------------|------------------|-------------------|------------------|------------------|------------------|
| | A | B | C | D | E | F | G | H | I | J | K | L | M | N | O | P | Q | R | S | T | U | V | W |
| 2 | $\frac{3}{16}$ | $\frac{7}{8}$ | $\frac{25}{32}$ | $\frac{3}{4}$ | $\frac{3}{64}$ | $\frac{5}{32}$ | $\frac{9}{64}$ | $\frac{1}{8}$ | $\frac{7}{16}$ | $\frac{1}{32}$ | $\frac{11}{64}$ | $\frac{3}{8}$ | $1\frac{7}{16}$ | $2\frac{3}{16}$ | $\frac{1}{16}$ | $\frac{11}{32}$ | $\frac{15}{32}$ | $\frac{23}{64}$ | $\frac{5}{16}$ | $1\frac{9}{32}$ | $1\frac{13}{16}$ | $\frac{5}{8}$ | $1\frac{3}{32}$ |
| 3 | $\frac{9}{32}$ | $1\frac{5}{16}$ | $1\frac{11}{64}$ | $1\frac{1}{8}$ | $\frac{1}{16}$ | $\frac{15}{64}$ | $\frac{13}{64}$ | $\frac{3}{16}$ | $\frac{21}{32}$ | $\frac{3}{64}$ | $\frac{1}{4}$ | $\frac{9}{16}$ | $2\frac{5}{32}$ | $3\frac{3}{32}$ | $\frac{3}{32}$ | $\frac{33}{64}$ | $\frac{45}{64}$ | $\frac{17}{32}$ | $\frac{15}{32}$ | $1\frac{59}{64}$ | $2\frac{23}{32}$ | $1\frac{15}{16}$ | $1\frac{41}{64}$ |
| 4 | $\frac{3}{8}$ | $1\frac{3}{4}$ | $1\frac{9}{16}$ | $1\frac{1}{2}$ | $\frac{3}{32}$ | $\frac{5}{16}$ | $\frac{9}{32}$ | $\frac{1}{4}$ | $\frac{7}{8}$ | $\frac{1}{16}$ | $\frac{11}{32}$ | $\frac{3}{4}$ | $2\frac{7}{8}$ | $4\frac{3}{8}$ | $\frac{1}{8}$ | $\frac{11}{16}$ | $\frac{15}{16}$ | $\frac{23}{32}$ | $\frac{5}{8}$ | $2\frac{9}{16}$ | $3\frac{5}{8}$ | $1\frac{1}{4}$ | $2\frac{1}{16}$ |
| 5 | $\frac{15}{32}$ | $2\frac{3}{16}$ | $1\frac{9}{64}$ | $1\frac{7}{8}$ | $\frac{7}{64}$ | $\frac{25}{64}$ | $\frac{11}{32}$ | $\frac{5}{16}$ | $1\frac{3}{32}$ | $\frac{5}{64}$ | $\frac{27}{64}$ | $\frac{15}{16}$ | $3\frac{19}{32}$ | $5\frac{15}{32}$ | $\frac{5}{32}$ | $\frac{23}{64}$ | $1\frac{11}{64}$ | $\frac{27}{64}$ | $\frac{29}{32}$ | $3\frac{13}{64}$ | $4\frac{17}{32}$ | $1\frac{9}{16}$ | $2\frac{27}{64}$ |
| 6 | $\frac{9}{16}$ | $2\frac{5}{8}$ | $2\frac{11}{32}$ | $2\frac{1}{4}$ | $\frac{9}{64}$ | $\frac{15}{32}$ | $\frac{27}{64}$ | $\frac{3}{8}$ | $1\frac{9}{16}$ | $\frac{3}{32}$ | $\frac{33}{64}$ | $1\frac{1}{8}$ | $4\frac{5}{16}$ | $6\frac{9}{16}$ | $\frac{3}{16}$ | $1\frac{1}{32}$ | $1\frac{13}{64}$ | $\frac{5}{64}$ | $\frac{15}{16}$ | $3\frac{27}{32}$ | $5\frac{7}{16}$ | $1\frac{7}{8}$ | $3\frac{9}{32}$ |
| 7 | $\frac{21}{32}$ | $3\frac{1}{16}$ | $2\frac{47}{64}$ | $2\frac{5}{8}$ | $\frac{5}{32}$ | $\frac{35}{64}$ | $\frac{31}{64}$ | $\frac{7}{16}$ | $1\frac{17}{32}$ | $\frac{7}{64}$ | $\frac{19}{32}$ | $1\frac{5}{16}$ | $5\frac{1}{32}$ | $7\frac{21}{32}$ | $\frac{7}{32}$ | $1\frac{13}{64}$ | $1\frac{41}{64}$ | $1\frac{1}{4}$ | $1\frac{3}{32}$ | $4\frac{31}{64}$ | $6\frac{11}{32}$ | $2\frac{3}{16}$ | $3\frac{23}{64}$ |
| 8 | $\frac{3}{4}$ | $3\frac{1}{2}$ | $3\frac{3}{8}$ | 3 | $\frac{3}{16}$ | $\frac{9}{8}$ | $\frac{9}{16}$ | $\frac{1}{2}$ | $1\frac{3}{4}$ | $\frac{1}{8}$ | $\frac{11}{16}$ | $1\frac{1}{2}$ | $5\frac{3}{4}$ | $8\frac{3}{4}$ | $\frac{1}{4}$ | $1\frac{3}{8}$ | $1\frac{7}{16}$ | $1\frac{1}{4}$ | $5\frac{1}{8}$ | $7\frac{1}{4}$ | $2\frac{1}{2}$ | $4\frac{3}{8}$ | |
| 12 | $1\frac{1}{8}$ | 5 $\frac{1}{4}$ | $4\frac{11}{16}$ | $4\frac{1}{2}$ | $\frac{9}{32}$ | $\frac{15}{16}$ | $\frac{27}{32}$ | $\frac{3}{4}$ | $2\frac{5}{8}$ | $\frac{3}{16}$ | $\frac{13}{32}$ | 2 $\frac{1}{4}$ | $8\frac{5}{8}$ | $13\frac{1}{8}$ | $\frac{3}{8}$ | $2\frac{1}{16}$ | $2\frac{13}{16}$ | $2\frac{3}{32}$ | $1\frac{7}{8}$ | $7\frac{1}{16}$ | $10\frac{7}{8}$ | $3\frac{3}{4}$ | $6\frac{9}{16}$ |
| 18 | $1\frac{1}{16}$ | $7\frac{7}{8}$ | $7\frac{3}{32}$ | $6\frac{3}{4}$ | $\frac{7}{16}$ | $\frac{13}{32}$ | 1 $\frac{1}{4}$ | $1\frac{1}{8}$ | $3\frac{15}{16}$ | $\frac{9}{32}$ | $\frac{1}{16}$ | $3\frac{3}{8}$ | $12\frac{15}{16}$ | $19\frac{1}{16}$ | $\frac{9}{16}$ | $3\frac{3}{32}$ | $4\frac{3}{32}$ | $3\frac{1}{4}$ | $2\frac{13}{16}$ | $11\frac{17}{32}$ | $16\frac{5}{8}$ | $5\frac{5}{8}$ | $9\frac{27}{32}$ |



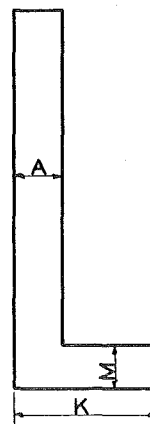
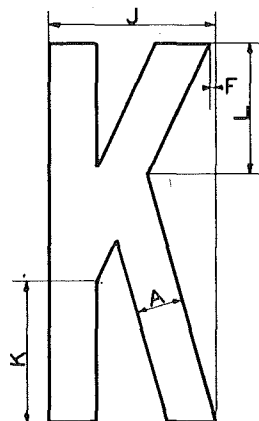
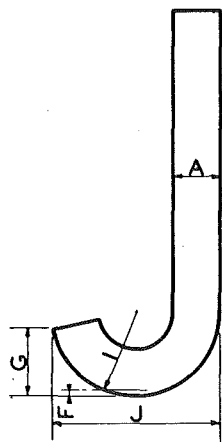
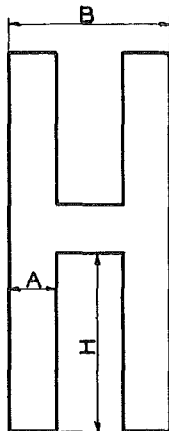
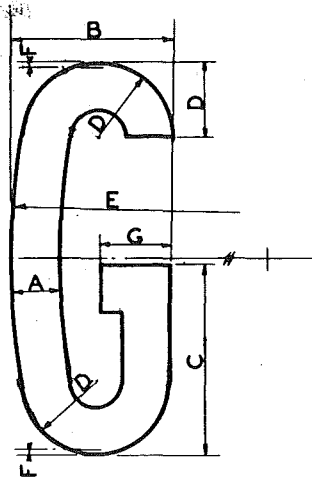
SERIES A NUMERALS

| HEIGHT (INCHES) | DIMENSIONS (INCHES) | | | | | | | | | | | | | | | | | | | | | | | | | | | |
|--------------------|---------------------|-------|---------|---------|---------|------|------|-------|---------|--------|----------|----------|---------|--------|---------|--------|--------|---------|---------|---------|---------|---------|---------|-------|-------|--------|---------|------|
| | A | B | C | D | E | F | G | H | I | J | K | L | M | N | O | P | Q | R | S | T | U | V | W | X | Y | Z | AA | |
| 2 | 3/16 | 3/4 | 11/32 | 1/16 | 31/64 | 1/64 | 3/2 | 1 | 11/32 | 3/4 | 1/32 | 1/32 | 31/64 | 23/64 | 39/64 | 9 | 1/16 | 29/32 | 11/16 | 17/32 | 3/8 | 21/64 | 5/16 | 9/64 | 1/8 | 4 1/2 | 13/16 | |
| 3 | 9/32 | 1/8 | 33/64 | 19/32 | 23/32 | 1/64 | 3/64 | 1 1/2 | 2 1/64 | 5/8 | 159/64 | 153/64 | 163/64 | 29/32 | 17/32 | 29/32 | 13 1/2 | 3/32 | 23/64 | 2 1/2 | 51/64 | 41/64 | 31/64 | 15/32 | 13/64 | 3/16 | 6 3/4 | 7/32 |
| 4 | 3/8 | 1 1/2 | 11/16 | 2 1/8 | 31/32 | 1/32 | 1/16 | 2 | 2 1/16 | 7/2 | 2 1/8 | 2 7/16 | 1 15/16 | 23/32 | 7/32 | 18 | 1/8 | 1 13/16 | 3 3/8 | 1 1/16 | 2 3/8 | 21/32 | 5/8 | 9/32 | 1/4 | 9 | 5/8 | |
| 5 | 15/32 | 1 7/8 | 55/64 | 2 1/32 | 1 13/64 | 1/32 | 5/64 | 2 1/2 | 3 23/64 | 9 3/8 | 3 13/64 | 3 3/64 | 2 27/64 | 57/64 | 1 33/64 | 22 1/2 | 5/32 | 2 17/64 | 4 7/32 | 1 21/64 | 2 47/64 | 13/16 | 25/32 | 11/32 | 5/16 | 11 1/4 | 2 3/2 | |
| 6 | 9/16 | 2 1/4 | 1 1/32 | 3 3/16 | 1 29/64 | 3/64 | 3/32 | 3 | 4 1/32 | 11 1/4 | 3 27/32 | 3 21/32 | 2 29/32 | 1 5/64 | 1 53/64 | 27 | 3/16 | 2 23/32 | 5 1/16 | 1 19/32 | 3 9/32 | 6 3/64 | 15/16 | 27/64 | 3/8 | 13 1/2 | 2 7/16 | |
| 7 | 21/32 | 2 5/8 | 1 13/64 | 3 23/32 | 1 11/16 | 3/64 | 7/64 | 3 1/2 | 4 45/64 | 13 1/8 | 4 31/64 | 4 17/64 | 3 25/64 | 1 1/4 | 2 1/8 | 31 1/2 | 7/32 | 3 11/64 | 5 29/32 | 1 55/64 | 3 53/64 | 1 9/64 | 1 3/32 | 31/64 | 7/16 | 15 3/4 | 2 27/32 | |
| 8 | 3/4 | 3 | 1 3/8 | 4 1/4 | 1 11/16 | 1/16 | 1/8 | 4 | 5 3/8 | 15 | 5 1/8 | 4 7/8 | 3 7/8 | 1 7/16 | 2 7/16 | 36 | 1/4 | 3 3/8 | 6 3/4 | 2 1/8 | 4 3/8 | 1 5/16 | 1 1/4 | 9/16 | 1/2 | 18 | 3 1/4 | |
| 12 | 1 1/8 | 4 1/2 | 2 1/16 | 6 3/8 | 2 29/32 | 3/32 | 3/16 | 6 | 8 1/16 | 22 1/2 | 7 11/16 | 7 5/16 | 5 13/16 | 2 3/32 | 3 21/32 | 54 | 3/8 | 5 7/16 | 10 1/8 | 3 3/16 | 6 9/16 | 1 31/32 | 1 7/8 | 27/32 | 3/4 | 27 | 4 7/8 | |
| 18 | 1 11/16 | 6 3/4 | 3 3/32 | 9 9/16 | 4 3/8 | 1/8 | 9/32 | 9 | 12 3/32 | 33 3/4 | 11 17/32 | 10 31/32 | 8 23/32 | 3 1/4 | 5 1/2 | 81 | 9/16 | 8 5/32 | 15 3/16 | 4 25/32 | 9 27/32 | 2 15/16 | 2 13/16 | 1 1/4 | 1 1/8 | 40 1/2 | 7 3/16 | |



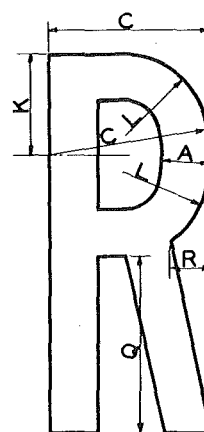
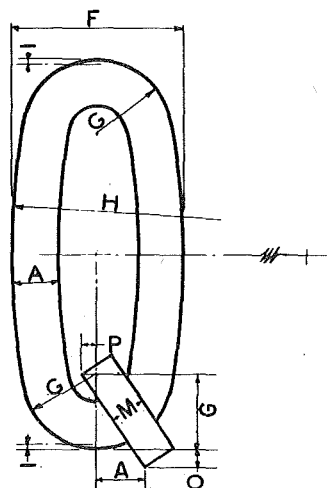
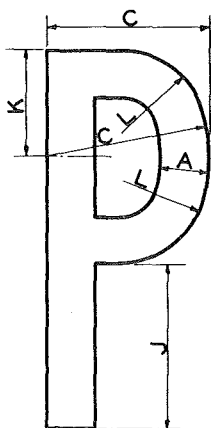
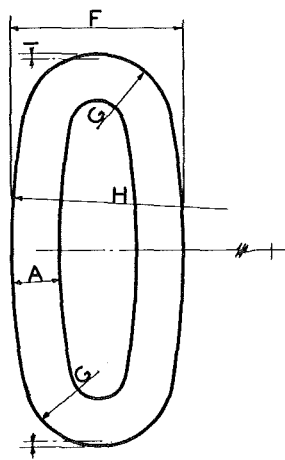
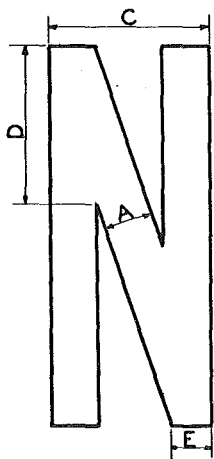
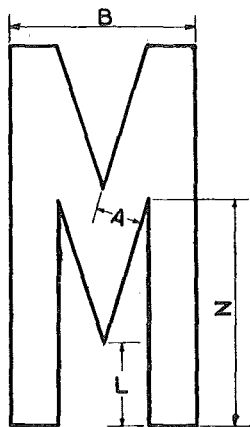
SERIES B LETTERS

| HEIGHT (INCHES) | DIMENSIONS (INCHES) | | | | | | | | | | | | | | | | | |
|--------------------|---------------------|------------------|------------------|------------------|-------------------|------------------|------------------|-----------------|----------------|----------------|----|------------------|----------------|------------------|------------------|------------------|----------------|------------------|
| | A | B | C | D | E | F | G | H | I | J | K | L | M | N | O | P | Q | R |
| 2 | $\frac{1}{4}$ | $\frac{1}{16}$ | $\frac{17}{32}$ | $\frac{27}{32}$ | $\frac{17}{16}$ | $\frac{35}{64}$ | $\frac{9}{32}$ | $\frac{3}{8}$ | $\frac{1}{8}$ | $\frac{1}{32}$ | 4 | $\frac{25}{64}$ | $\frac{1}{2}$ | $\frac{7}{16}$ | $\frac{47}{64}$ | $\frac{31}{32}$ | $\frac{3}{4}$ | $\frac{5}{16}$ |
| 3 | $\frac{3}{8}$ | $\frac{19}{32}$ | $\frac{91}{64}$ | $\frac{17}{64}$ | $2\frac{5}{32}$ | $\frac{13}{16}$ | $\frac{27}{64}$ | $\frac{9}{16}$ | $\frac{3}{16}$ | $\frac{3}{64}$ | 6 | $\frac{27}{64}$ | $\frac{3}{4}$ | $\frac{21}{32}$ | $\frac{13}{32}$ | $\frac{29}{64}$ | $\frac{1}{8}$ | $\frac{15}{32}$ |
| 4 | $\frac{1}{2}$ | $2\frac{1}{8}$ | $\frac{1}{16}$ | $\frac{11}{16}$ | $2\frac{7}{8}$ | $\frac{3}{32}$ | $\frac{9}{16}$ | $\frac{3}{4}$ | $\frac{1}{4}$ | $\frac{1}{16}$ | 8 | $\frac{25}{32}$ | 1 | $\frac{7}{8}$ | $\frac{15}{32}$ | $\frac{15}{16}$ | $\frac{1}{2}$ | $\frac{5}{8}$ |
| 5 | $\frac{5}{8}$ | $2\frac{21}{32}$ | $\frac{121}{64}$ | $2\frac{7}{64}$ | $3\frac{19}{32}$ | $\frac{123}{64}$ | $\frac{45}{16}$ | $\frac{15}{16}$ | $\frac{5}{16}$ | $\frac{5}{64}$ | 10 | $\frac{31}{32}$ | $1\frac{1}{4}$ | $\frac{13}{32}$ | $\frac{153}{64}$ | $2\frac{27}{64}$ | $\frac{7}{8}$ | $\frac{25}{32}$ |
| 6 | $\frac{3}{4}$ | $3\frac{3}{16}$ | $\frac{19}{32}$ | $2\frac{17}{32}$ | $4\frac{5}{16}$ | $\frac{141}{64}$ | $\frac{27}{32}$ | $1\frac{1}{8}$ | $\frac{3}{8}$ | $\frac{3}{32}$ | 12 | $\frac{11}{64}$ | $1\frac{1}{2}$ | $\frac{15}{16}$ | $2\frac{13}{64}$ | $2\frac{29}{32}$ | $2\frac{1}{4}$ | $\frac{15}{16}$ |
| 7 | $\frac{7}{8}$ | $3\frac{23}{32}$ | $\frac{55}{64}$ | $2\frac{61}{64}$ | $5\frac{1}{32}$ | $\frac{129}{32}$ | $\frac{63}{64}$ | $1\frac{5}{16}$ | $\frac{7}{16}$ | $\frac{7}{64}$ | 14 | $\frac{123}{64}$ | $1\frac{3}{4}$ | $\frac{17}{32}$ | $2\frac{2}{16}$ | $3\frac{23}{64}$ | $2\frac{5}{8}$ | $\frac{13}{32}$ |
| 8 | 1 | $4\frac{1}{4}$ | $2\frac{1}{8}$ | $3\frac{3}{8}$ | $5\frac{3}{4}$ | $2\frac{3}{16}$ | $\frac{1}{8}$ | $1\frac{1}{2}$ | $\frac{1}{2}$ | $\frac{1}{8}$ | 16 | $\frac{9}{16}$ | 2 | $1\frac{3}{4}$ | $2\frac{15}{16}$ | $3\frac{7}{8}$ | 3 | $1\frac{1}{4}$ |
| 12 | $1\frac{1}{2}$ | $6\frac{3}{8}$ | $3\frac{3}{16}$ | $5\frac{1}{16}$ | $8\frac{5}{8}$ | $3\frac{3}{32}$ | $\frac{11}{16}$ | $2\frac{1}{4}$ | $\frac{3}{4}$ | $\frac{3}{16}$ | 24 | $2\frac{11}{32}$ | 3 | $2\frac{5}{8}$ | $4\frac{13}{32}$ | $5\frac{13}{64}$ | $4\frac{1}{2}$ | $1\frac{7}{8}$ |
| 18 | $2\frac{1}{4}$ | $9\frac{9}{16}$ | $4\frac{25}{32}$ | $7\frac{19}{32}$ | $12\frac{15}{16}$ | $4\frac{15}{16}$ | $2\frac{17}{32}$ | $3\frac{3}{8}$ | $1\frac{1}{8}$ | $\frac{9}{32}$ | 36 | $3\frac{1}{2}$ | $4\frac{1}{2}$ | $3\frac{15}{16}$ | $6\frac{5}{8}$ | $8\frac{23}{32}$ | $6\frac{3}{4}$ | $2\frac{13}{16}$ |



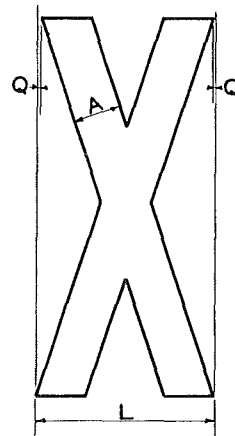
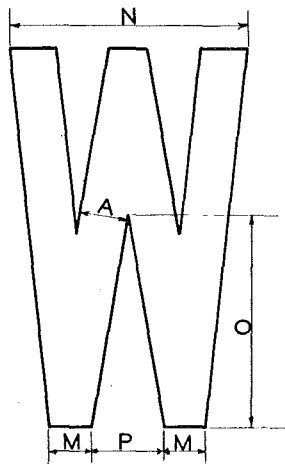
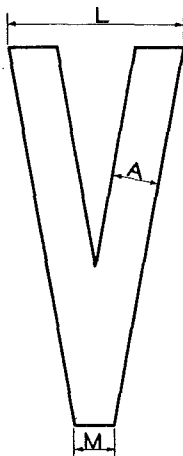
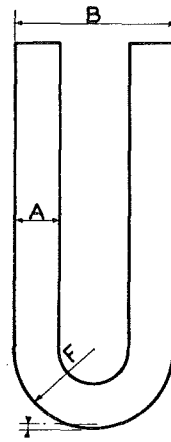
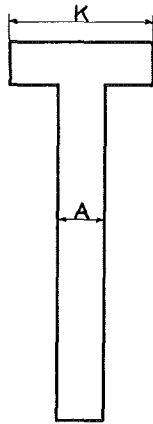
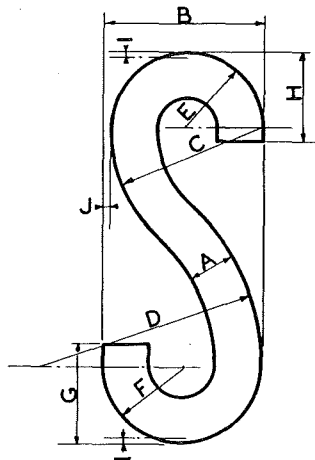
SERIES B LETTERS

| HEIGHT (INCHES) | DIMENSIONS (INCHES) | | | | | | | | | | | | |
|--------------------|---------------------|------------------|----------------|------------------|----|----------------|-----------------|------------------|------------------|-----------------|----------------|------------------|-----------------|
| | A | B | C | D | E | F | G | H | I | J | K | L | M |
| 2 | $\frac{1}{4}$ | $\frac{27}{32}$ | 1 | $\frac{25}{64}$ | 4 | $\frac{1}{32}$ | $\frac{3}{8}$ | $\frac{15}{16}$ | $\frac{7}{16}$ | $\frac{7}{8}$ | $\frac{3}{4}$ | $\frac{11}{16}$ | $\frac{15}{64}$ |
| 3 | $\frac{3}{8}$ | $\frac{17}{64}$ | $\frac{1}{2}$ | $\frac{37}{64}$ | 6 | $\frac{3}{64}$ | $\frac{9}{16}$ | $\frac{13}{32}$ | $\frac{21}{32}$ | $\frac{5}{16}$ | $\frac{1}{8}$ | $\frac{13}{32}$ | $\frac{11}{32}$ |
| 4 | $\frac{1}{2}$ | $\frac{11}{16}$ | 2 | $\frac{25}{32}$ | 8 | $\frac{1}{16}$ | $\frac{3}{4}$ | $\frac{7}{8}$ | $\frac{7}{8}$ | $\frac{13}{4}$ | $\frac{1}{2}$ | $\frac{3}{8}$ | $\frac{15}{32}$ |
| 5 | $\frac{5}{8}$ | $\frac{27}{64}$ | $2\frac{1}{2}$ | $\frac{31}{32}$ | 10 | $\frac{5}{64}$ | $\frac{15}{16}$ | $2\frac{11}{32}$ | $\frac{3}{32}$ | $2\frac{3}{16}$ | $\frac{17}{8}$ | $\frac{133}{64}$ | $\frac{37}{64}$ |
| 6 | $\frac{3}{4}$ | $\frac{27}{32}$ | 3 | $\frac{11}{64}$ | 12 | $\frac{3}{32}$ | $\frac{11}{8}$ | $2\frac{13}{16}$ | $\frac{5}{16}$ | $2\frac{5}{8}$ | $2\frac{1}{4}$ | $2\frac{13}{16}$ | $\frac{45}{64}$ |
| 7 | $\frac{7}{8}$ | $\frac{21}{64}$ | $3\frac{1}{2}$ | $\frac{123}{64}$ | 14 | $\frac{7}{64}$ | $\frac{15}{16}$ | $3\frac{9}{32}$ | $\frac{17}{32}$ | $3\frac{1}{16}$ | $2\frac{5}{8}$ | $2\frac{13}{32}$ | $\frac{13}{16}$ |
| 8 | 1 | $3\frac{3}{8}$ | 4 | $\frac{9}{16}$ | 16 | $\frac{1}{8}$ | $1\frac{1}{2}$ | $3\frac{3}{4}$ | $\frac{13}{4}$ | $3\frac{1}{2}$ | 3 | $2\frac{3}{4}$ | $\frac{19}{16}$ |
| 12 | $1\frac{1}{2}$ | $5\frac{1}{16}$ | 6 | $2\frac{11}{32}$ | 24 | $\frac{3}{16}$ | $2\frac{1}{4}$ | $5\frac{5}{8}$ | $2\frac{5}{8}$ | $5\frac{1}{4}$ | $4\frac{1}{2}$ | $4\frac{1}{8}$ | $\frac{13}{32}$ |
| 18 | $2\frac{1}{4}$ | $7\frac{19}{32}$ | 9 | $3\frac{1}{2}$ | 36 | $\frac{9}{32}$ | $3\frac{3}{8}$ | $8\frac{7}{16}$ | $3\frac{15}{16}$ | $7\frac{7}{8}$ | $6\frac{3}{4}$ | $6\frac{3}{8}$ | $2\frac{1}{8}$ |



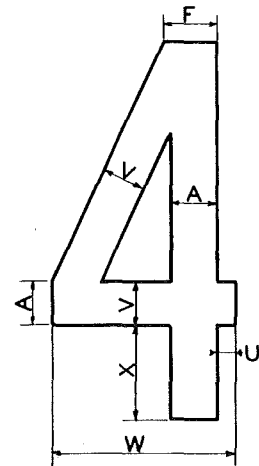
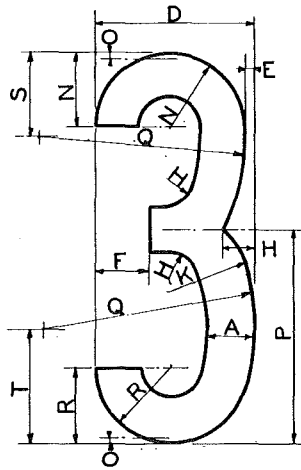
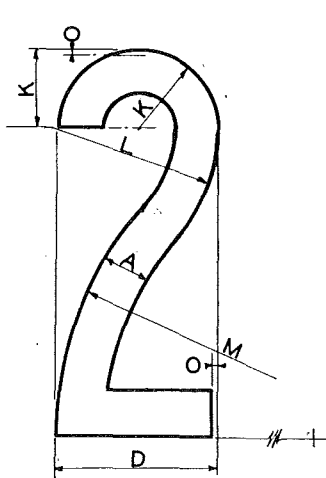
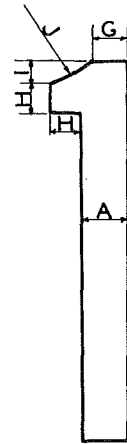
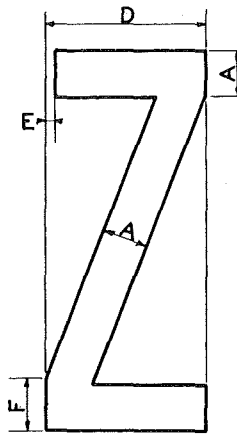
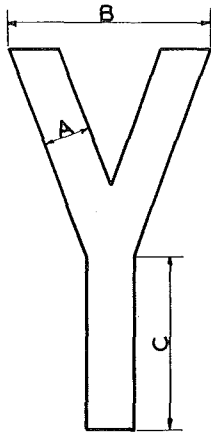
SERIES B LETTERS

| HEIGHT (INCHES) | DIMENSIONS (INCHES) | | | | | | | | | | | | | | | | | |
|--------------------|---------------------|------------------|------------------|------------------|-----------------|------------------|------------------|----|----------------|-----------------|------------------|------------------|-----------------|-------------------|-----------------|-----------------|------------------|------------------|
| | A | B | C | D | E | F | G | H | I | J | K | L | M | N | O | P | Q | R |
| 2 | $\frac{1}{4}$ | $\frac{3}{32}$ | $\frac{27}{32}$ | $\frac{13}{16}$ | $\frac{7}{32}$ | $\frac{29}{32}$ | $\frac{25}{64}$ | 4 | $\frac{1}{32}$ | $\frac{7}{8}$ | $\frac{17}{32}$ | $\frac{7}{16}$ | $\frac{3}{16}$ | $\frac{13}{16}$ | $\frac{3}{32}$ | $\frac{5}{64}$ | $\frac{15}{16}$ | $\frac{13}{64}$ |
| 3 | $\frac{3}{8}$ | $\frac{129}{64}$ | $\frac{117}{64}$ | $\frac{7}{32}$ | $\frac{21}{64}$ | $\frac{123}{64}$ | $\frac{37}{64}$ | 6 | $\frac{3}{64}$ | $\frac{15}{16}$ | $\frac{51}{64}$ | $\frac{21}{32}$ | $\frac{9}{32}$ | $\frac{125}{32}$ | $\frac{9}{64}$ | $\frac{7}{64}$ | $\frac{13}{32}$ | $\frac{19}{64}$ |
| 4 | $\frac{1}{2}$ | $\frac{115}{16}$ | $\frac{111}{16}$ | $\frac{15}{8}$ | $\frac{7}{16}$ | $\frac{113}{16}$ | $\frac{25}{32}$ | 8 | $\frac{1}{16}$ | $\frac{13}{4}$ | $\frac{11}{16}$ | $\frac{7}{8}$ | $\frac{3}{8}$ | $2\frac{3}{8}$ | $\frac{3}{16}$ | $\frac{5}{32}$ | $\frac{17}{8}$ | $\frac{13}{32}$ |
| 5 | $\frac{5}{8}$ | $\frac{227}{64}$ | $\frac{217}{64}$ | $\frac{21}{32}$ | $\frac{35}{64}$ | $\frac{217}{64}$ | $\frac{31}{32}$ | 10 | $\frac{5}{64}$ | $\frac{23}{16}$ | $\frac{121}{64}$ | $\frac{13}{32}$ | $\frac{15}{32}$ | $2\frac{31}{32}$ | $\frac{15}{64}$ | $\frac{3}{16}$ | $2\frac{11}{32}$ | $\frac{1}{2}$ |
| 6 | $\frac{3}{4}$ | $\frac{229}{32}$ | $\frac{217}{32}$ | $\frac{27}{16}$ | $\frac{51}{32}$ | $\frac{237}{32}$ | $\frac{11}{64}$ | 12 | $\frac{3}{32}$ | $\frac{25}{8}$ | $\frac{119}{32}$ | $\frac{15}{16}$ | $\frac{9}{16}$ | $3\frac{9}{16}$ | $\frac{9}{32}$ | $\frac{15}{64}$ | $2\frac{13}{16}$ | $\frac{39}{64}$ |
| 7 | $\frac{7}{8}$ | $\frac{325}{64}$ | $\frac{281}{64}$ | $\frac{287}{32}$ | $\frac{49}{64}$ | $\frac{311}{64}$ | $\frac{123}{64}$ | 14 | $\frac{7}{64}$ | $\frac{31}{16}$ | $\frac{55}{64}$ | $\frac{17}{32}$ | $\frac{21}{32}$ | $4\frac{5}{32}$ | $\frac{21}{64}$ | $\frac{17}{64}$ | $3\frac{3}{32}$ | $\frac{45}{64}$ |
| 8 | 1 | $\frac{37}{8}$ | $\frac{33}{8}$ | $\frac{3}{4}$ | $\frac{7}{8}$ | $\frac{35}{8}$ | $\frac{19}{16}$ | 16 | $\frac{1}{8}$ | $\frac{31}{2}$ | $\frac{21}{8}$ | $\frac{13}{4}$ | $\frac{3}{4}$ | $4\frac{3}{4}$ | $\frac{3}{8}$ | $\frac{5}{16}$ | $\frac{3}{4}$ | $\frac{13}{16}$ |
| 12 | $\frac{11}{2}$ | $\frac{513}{16}$ | $\frac{511}{16}$ | $\frac{47}{8}$ | $\frac{15}{16}$ | $\frac{57}{16}$ | $\frac{211}{32}$ | 24 | $\frac{3}{16}$ | $\frac{51}{4}$ | $\frac{33}{8}$ | $\frac{25}{8}$ | $\frac{11}{8}$ | $7\frac{1}{8}$ | $\frac{9}{16}$ | $\frac{15}{32}$ | $\frac{55}{8}$ | $\frac{17}{32}$ |
| 18 | $2\frac{1}{4}$ | $\frac{823}{32}$ | $\frac{719}{32}$ | $\frac{75}{16}$ | $\frac{13}{32}$ | $\frac{85}{32}$ | $\frac{31}{2}$ | 36 | $\frac{9}{32}$ | $\frac{77}{8}$ | $\frac{425}{32}$ | $\frac{315}{16}$ | $\frac{11}{16}$ | $10\frac{11}{16}$ | $\frac{27}{32}$ | $\frac{11}{16}$ | $8\frac{7}{16}$ | $\frac{113}{16}$ |



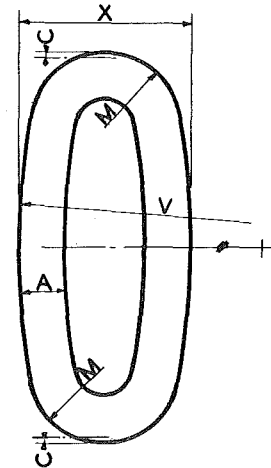
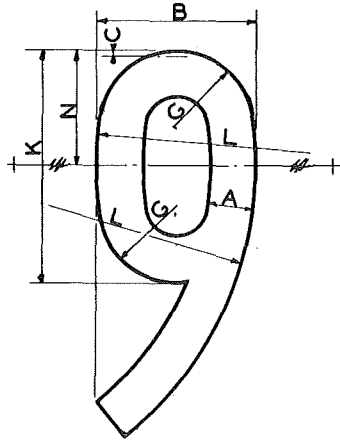
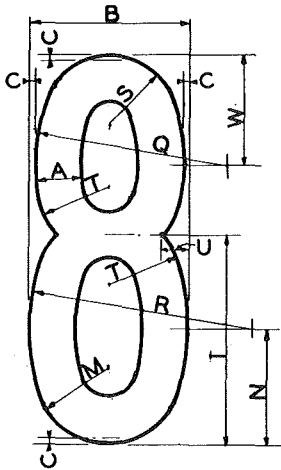
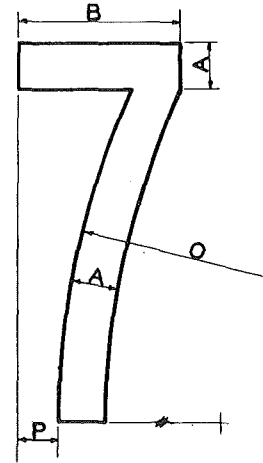
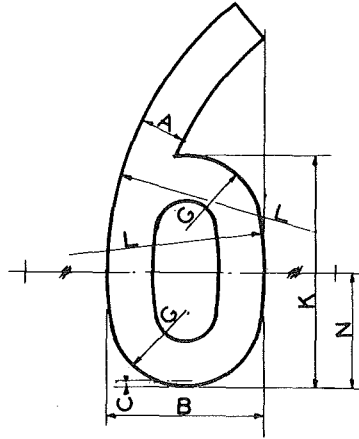
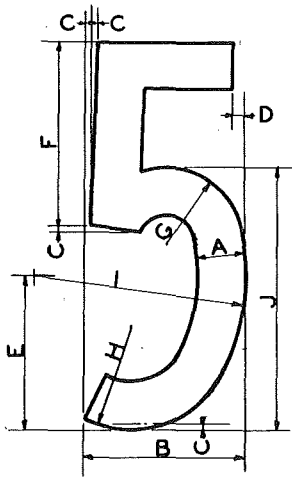
SERIES B LETTERS

| HEIGHT (INCHES) | DIMENSIONS (INCHES) | | | | | | | | | | | | | | | | |
|--------------------|---------------------|------------------|------------------|-------------------|------------------|------------------|------------------|------------------|----------------|----------------|----------------|------------------|-----------------|-----------------|------------------|-----------------|----------------|
| | A | B | C | D | E | F | G | H | I | J | K | L | M | N | O | P | Q |
| 2 | $\frac{1}{4}$ | $\frac{27}{32}$ | $\frac{51}{64}$ | $\frac{15}{32}$ | $\frac{25}{64}$ | $\frac{27}{64}$ | $\frac{17}{32}$ | $\frac{15}{32}$ | $\frac{1}{32}$ | $\frac{3}{64}$ | $\frac{3}{4}$ | $\frac{59}{64}$ | $\frac{7}{32}$ | $\frac{1}{4}$ | $\frac{11}{8}$ | $\frac{3}{8}$ | $\frac{1}{64}$ |
| 3 | $\frac{3}{8}$ | $\frac{17}{64}$ | $\frac{3}{16}$ | $\frac{17}{64}$ | $\frac{19}{32}$ | $\frac{5}{8}$ | $\frac{51}{64}$ | $\frac{45}{64}$ | $\frac{3}{64}$ | $\frac{1}{16}$ | $\frac{1}{8}$ | $\frac{13}{8}$ | $\frac{21}{64}$ | $\frac{7}{8}$ | $\frac{11}{16}$ | $\frac{9}{16}$ | $\frac{1}{64}$ |
| 4 | $\frac{1}{2}$ | $\frac{11}{16}$ | $\frac{19}{32}$ | $\frac{25}{16}$ | $\frac{51}{64}$ | $\frac{27}{32}$ | $\frac{11}{16}$ | $\frac{15}{16}$ | $\frac{1}{16}$ | $\frac{3}{32}$ | $\frac{1}{2}$ | $\frac{13}{32}$ | $\frac{7}{16}$ | $2\frac{1}{2}$ | $2\frac{1}{4}$ | $\frac{3}{4}$ | $\frac{1}{32}$ |
| 5 | $\frac{5}{8}$ | $2\frac{7}{64}$ | $\frac{19}{64}$ | $2\frac{37}{64}$ | 1 | $\frac{3}{64}$ | $\frac{121}{64}$ | $\frac{11}{64}$ | $\frac{5}{64}$ | $\frac{7}{64}$ | $\frac{1}{8}$ | $2\frac{19}{64}$ | $\frac{35}{64}$ | $3\frac{1}{8}$ | $2\frac{13}{16}$ | $\frac{15}{16}$ | $\frac{1}{32}$ |
| 6 | $\frac{3}{4}$ | $2\frac{17}{32}$ | $\frac{25}{64}$ | $3\frac{15}{32}$ | $\frac{13}{16}$ | $\frac{17}{64}$ | $\frac{119}{32}$ | $\frac{13}{32}$ | $\frac{3}{32}$ | $\frac{9}{64}$ | $2\frac{1}{4}$ | $2\frac{49}{64}$ | $\frac{21}{32}$ | $3\frac{3}{4}$ | $3\frac{3}{8}$ | $\frac{11}{8}$ | $\frac{3}{64}$ |
| 7 | $\frac{7}{8}$ | $2\frac{61}{64}$ | $\frac{25}{32}$ | $4\frac{3}{64}$ | $\frac{25}{64}$ | $\frac{15}{32}$ | $\frac{155}{64}$ | $\frac{41}{64}$ | $\frac{7}{64}$ | $\frac{5}{32}$ | $2\frac{5}{8}$ | $3\frac{7}{32}$ | $\frac{49}{64}$ | $4\frac{3}{8}$ | $3\frac{15}{16}$ | $\frac{15}{16}$ | $\frac{3}{64}$ |
| 8 | 1 | $3\frac{3}{8}$ | $3\frac{3}{16}$ | $4\frac{5}{8}$ | $\frac{19}{32}$ | $\frac{11}{16}$ | $2\frac{1}{8}$ | $\frac{7}{8}$ | $\frac{1}{8}$ | $\frac{3}{16}$ | 3 | $3\frac{11}{16}$ | $\frac{7}{8}$ | 5 | $4\frac{1}{2}$ | $\frac{1}{2}$ | $\frac{1}{16}$ |
| 12 | $\frac{1}{2}$ | $5\frac{1}{16}$ | $4\frac{29}{64}$ | $6\frac{13}{16}$ | $2\frac{25}{64}$ | $2\frac{17}{32}$ | $3\frac{3}{16}$ | $2\frac{13}{16}$ | $\frac{3}{16}$ | $\frac{9}{32}$ | $4\frac{1}{2}$ | $5\frac{17}{32}$ | $\frac{19}{16}$ | $7\frac{1}{2}$ | $6\frac{3}{4}$ | $2\frac{1}{4}$ | $\frac{3}{32}$ |
| 18 | $2\frac{1}{4}$ | $7\frac{19}{32}$ | $7\frac{5}{32}$ | $10\frac{13}{32}$ | $3\frac{27}{64}$ | $3\frac{31}{64}$ | $4\frac{25}{32}$ | $4\frac{7}{32}$ | $\frac{9}{32}$ | $\frac{7}{16}$ | $6\frac{3}{4}$ | $8\frac{5}{16}$ | $\frac{31}{32}$ | $11\frac{1}{4}$ | $10\frac{1}{8}$ | $3\frac{3}{8}$ | $\frac{1}{8}$ |



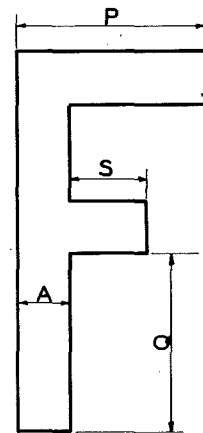
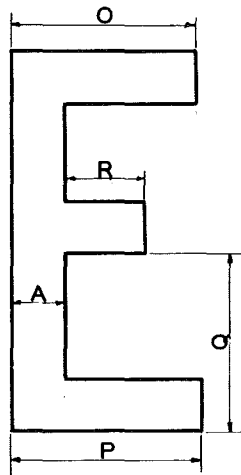
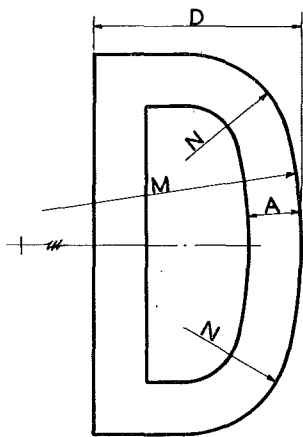
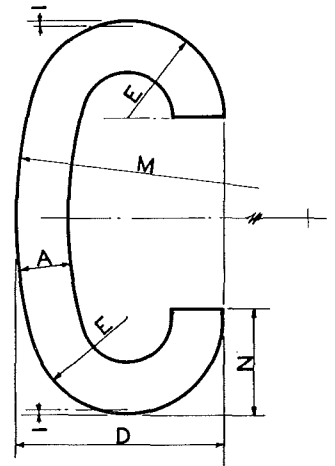
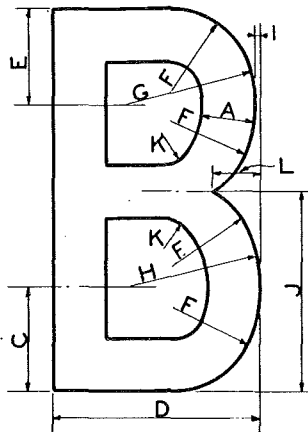
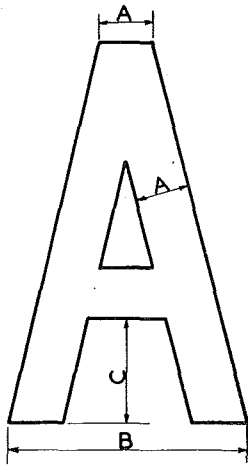
SERIES B LETTERS AND NUMERALS

| HEIGHT (INCHES) | DIMENSIONS (INCHES) | | | | | | | | | | | | | | | | | | | | | | | |
|--------------------|---------------------|------------------|------------------|------------------|----------------|------------------|------------------|------------------|----------------|------------------|------------------|-----------------|------------------|------------------|----------------|------------------|------------------|------------------|------------------|------------------|-----------------|------------------|------------------|----------------|
| | A | B | C | D | E | F | G | H | I | J | K | L | M | N | O | P | Q | R | S | T | U | V | W | X |
| 2 | $\frac{1}{4}$ | $\frac{1}{16}$ | $\frac{29}{32}$ | $\frac{27}{32}$ | $\frac{3}{64}$ | $\frac{9}{32}$ | $\frac{3}{16}$ | $\frac{5}{32}$ | $\frac{1}{8}$ | $\frac{23}{32}$ | $\frac{27}{64}$ | $\frac{7}{8}$ | $\frac{13}{16}$ | $\frac{25}{64}$ | $\frac{1}{32}$ | $\frac{1}{8}$ | $\frac{13}{32}$ | $\frac{13}{32}$ | $\frac{29}{64}$ | $\frac{19}{32}$ | $\frac{3}{32}$ | $\frac{15}{64}$ | $\frac{31}{32}$ | $\frac{1}{2}$ |
| 3 | $\frac{3}{8}$ | $\frac{19}{32}$ | $\frac{123}{64}$ | $\frac{17}{64}$ | $\frac{1}{16}$ | $\frac{27}{64}$ | $\frac{9}{32}$ | $\frac{15}{64}$ | $\frac{3}{16}$ | $\frac{5}{64}$ | $\frac{5}{8}$ | $\frac{1}{16}$ | $\frac{23}{32}$ | $\frac{19}{32}$ | $\frac{3}{64}$ | $\frac{11}{16}$ | $\frac{41}{64}$ | $\frac{39}{64}$ | $\frac{43}{64}$ | $\frac{57}{64}$ | $\frac{9}{64}$ | $\frac{11}{32}$ | $\frac{29}{64}$ | $\frac{3}{4}$ |
| 4 | $\frac{1}{2}$ | $2\frac{1}{8}$ | $\frac{113}{16}$ | $\frac{11}{16}$ | $\frac{3}{32}$ | $\frac{9}{16}$ | $\frac{3}{8}$ | $\frac{5}{16}$ | $\frac{1}{4}$ | $\frac{1}{16}$ | $\frac{27}{32}$ | $1\frac{3}{4}$ | $3\frac{5}{8}$ | $\frac{51}{64}$ | $\frac{1}{16}$ | $2\frac{1}{4}$ | $2\frac{3}{16}$ | $\frac{13}{16}$ | $\frac{29}{32}$ | $1\frac{3}{8}$ | $\frac{3}{16}$ | $\frac{15}{32}$ | $\frac{11}{16}$ | 1 |
| 5 | $\frac{5}{8}$ | $2\frac{21}{32}$ | $\frac{217}{64}$ | $\frac{27}{64}$ | $\frac{7}{64}$ | $\frac{45}{64}$ | $\frac{15}{32}$ | $\frac{25}{64}$ | $\frac{5}{16}$ | $\frac{31}{64}$ | $\frac{3}{4}$ | $2\frac{3}{16}$ | $4\frac{17}{32}$ | 1 | $\frac{5}{64}$ | $2\frac{13}{16}$ | $2\frac{27}{64}$ | $\frac{1}{64}$ | $\frac{1}{8}$ | $\frac{31}{64}$ | $\frac{15}{64}$ | $\frac{27}{64}$ | $2\frac{27}{64}$ | $1\frac{1}{4}$ |
| 6 | $\frac{3}{4}$ | $3\frac{3}{16}$ | $2\frac{23}{32}$ | $\frac{217}{32}$ | $\frac{9}{64}$ | $\frac{27}{32}$ | $\frac{9}{16}$ | $\frac{15}{32}$ | $\frac{3}{8}$ | $2\frac{5}{32}$ | $\frac{17}{64}$ | $2\frac{5}{8}$ | $5\frac{7}{16}$ | $\frac{1}{16}$ | $\frac{3}{32}$ | $3\frac{3}{8}$ | $3\frac{9}{32}$ | $\frac{7}{32}$ | $\frac{123}{64}$ | $\frac{125}{64}$ | $\frac{9}{32}$ | $\frac{45}{64}$ | $2\frac{29}{32}$ | $1\frac{1}{2}$ |
| 7 | $\frac{7}{8}$ | $3\frac{23}{32}$ | $3\frac{11}{64}$ | $\frac{261}{64}$ | $\frac{5}{32}$ | $\frac{63}{64}$ | $\frac{21}{32}$ | $\frac{35}{64}$ | $\frac{7}{16}$ | $2\frac{33}{64}$ | $\frac{115}{32}$ | $3\frac{1}{16}$ | $6\frac{5}{32}$ | $\frac{125}{64}$ | $\frac{7}{64}$ | $3\frac{15}{16}$ | $3\frac{53}{64}$ | $\frac{27}{64}$ | $\frac{137}{64}$ | $2\frac{5}{64}$ | $\frac{21}{64}$ | $\frac{13}{16}$ | $3\frac{25}{64}$ | $1\frac{3}{4}$ |
| 8 | 1 | $4\frac{1}{4}$ | $3\frac{5}{8}$ | $3\frac{3}{8}$ | $\frac{3}{16}$ | $1\frac{1}{8}$ | $\frac{3}{4}$ | $\frac{5}{8}$ | $\frac{1}{2}$ | $2\frac{7}{8}$ | $1\frac{11}{16}$ | $3\frac{1}{2}$ | $7\frac{1}{16}$ | $\frac{119}{32}$ | $\frac{1}{8}$ | $4\frac{1}{2}$ | $4\frac{3}{8}$ | $\frac{5}{8}$ | $\frac{113}{16}$ | $2\frac{3}{8}$ | $\frac{3}{8}$ | $\frac{15}{16}$ | $3\frac{7}{8}$ | 2 |
| 12 | $1\frac{1}{2}$ | $6\frac{3}{8}$ | $5\frac{7}{16}$ | $5\frac{1}{16}$ | $\frac{9}{32}$ | $1\frac{11}{16}$ | $1\frac{1}{8}$ | $\frac{15}{16}$ | $\frac{3}{4}$ | $4\frac{5}{16}$ | $2\frac{17}{32}$ | $5\frac{1}{4}$ | $10\frac{7}{8}$ | $2\frac{25}{64}$ | $\frac{3}{16}$ | $6\frac{3}{4}$ | $6\frac{9}{16}$ | $2\frac{7}{16}$ | $2\frac{23}{32}$ | $3\frac{9}{16}$ | $\frac{9}{16}$ | $1\frac{13}{32}$ | $5\frac{13}{16}$ | 3 |
| 18 | $2\frac{1}{4}$ | $9\frac{9}{16}$ | $8\frac{5}{32}$ | $7\frac{19}{32}$ | $\frac{7}{16}$ | $2\frac{17}{32}$ | $1\frac{11}{16}$ | $1\frac{13}{32}$ | $1\frac{1}{8}$ | $6\frac{15}{32}$ | $3\frac{13}{16}$ | $7\frac{7}{8}$ | $16\frac{5}{16}$ | $3\frac{27}{64}$ | $\frac{9}{32}$ | $10\frac{1}{8}$ | $9\frac{27}{32}$ | $3\frac{21}{32}$ | $4\frac{3}{32}$ | $5\frac{11}{32}$ | $\frac{27}{32}$ | $2\frac{1}{8}$ | $6\frac{23}{32}$ | $4\frac{1}{2}$ |



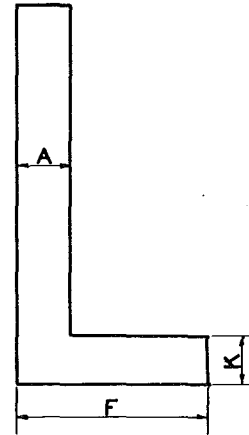
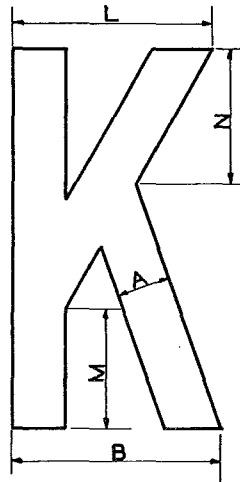
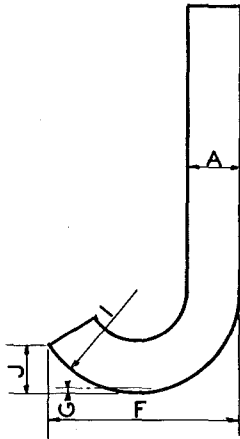
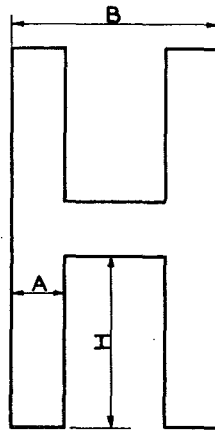
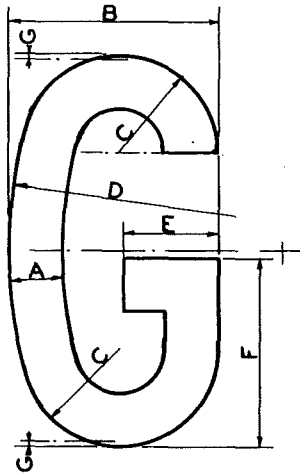
SERIES B NUMERALS

| HEIGHT (INCHES) | DIMENSIONS (INCHES) | | | | | | | | | | | | | | | | | | | | | | | |
|--------------------|---------------------|---------|------|------|---------|---------|---------|---------|---------|---------|----------|----------|---------|---------|----------|---------|-------|----------|--------|--------|---------|----|--------|--------|
| | A | B | C | D | E | F | G | H | I | J | K | L | M | N | O | P | Q | R | S | T | U | V | W | X |
| 2 | 1/4 | 37/64 | 1/32 | 1/16 | 13/16 | 3/32 | 13/32 | 35/64 | 13/32 | 13/8 | 17/32 | 137/64 | 25/64 | 33/64 | 43/8 | 7/32 | 1 | 11/64 | 11/32 | 3/8 | 5/32 | 4 | 37/64 | 23/32 |
| 3 | 3/8 | 17/64 | 3/64 | 3/32 | 7/32 | 123/64 | 39/64 | 13/16 | 14/16 | 21/16 | 153/64 | 243/64 | 37/64 | 29/32 | 6 9/16 | 21/64 | 1 1/2 | 1 3/4 | 33/64 | 9/16 | 15/64 | 6 | 55/64 | 123/64 |
| 4 | 1/2 | 11/16 | 1/8 | 1/8 | 11/8 | 118/16 | 13/16 | 13/32 | 2 3/16 | 2 3/4 | 27/16 | 31/16 | 25/32 | 17/32 | 8 3/4 | 7/16 | 2 | 2 1/2 | 25/16 | 3/4 | 5/16 | 8 | 15/32 | 118/16 |
| 5 | 5/8 | 27/64 | 5/64 | 5/32 | 2 1/2 | 264/64 | 164/64 | 123/64 | 247/64 | 37/16 | 363/64 | 433/64 | 31/32 | 123/64 | 10 15/16 | 35/64 | 2 1/2 | 259/64 | 29/64 | 15/16 | 25/64 | 10 | 17/16 | 217/64 |
| 6 | 3/4 | 217/64 | 3/32 | 3/16 | 27/16 | 289/32 | 132/16 | 141/64 | 3 3/2 | 4 1/8 | 332/64 | 517/32 | 11/64 | 183/64 | 13 1/8 | 21/32 | 3 | 3 33/64 | 1 1/32 | 1 1/8 | 15/32 | 12 | 47/64 | 263/32 |
| 7 | 7/8 | 281/64 | 7/64 | 7/32 | 2 27/32 | 325/64 | 127/64 | 129/32 | 353/64 | 4 13/16 | 4 17/64 | 623/64 | 123/64 | 2 1/8 | 15 5/16 | 49/64 | 3 1/2 | 4 3/32 | 113/64 | 1 5/16 | 35/64 | 14 | 2 3/4 | 311/64 |
| 8 | 1 | 3 3/8 | 1/8 | 1/4 | 3 1/4 | 37/8 | 1 5/8 | 2 1/8 | 4 3/8 | 5 1/2 | 4 7/8 | 7 3/8 | 1 9/16 | 2 7/16 | 17 1/2 | 7/8 | 4 | 4 1/16 | 1 3/8 | 1 1/2 | 5/8 | 16 | 2 5/16 | 3 5/8 |
| 12 | 1 1/2 | 5 1/16 | 3/16 | 3/8 | 4 7/8 | 5 13/16 | 2 7/16 | 3 9/32 | 6 3/16 | 8 1/4 | 7 5/16 | 11 1/16 | 2 11/32 | 3 21/32 | 20 1/4 | 1 5/16 | 6 | 7 1/2 | 2 1/16 | 2 1/4 | 1 5/16 | 24 | 3 5/32 | 57/16 |
| 18 | 2 1/4 | 7 13/32 | 9/32 | 9/16 | 7 5/16 | 8 23/32 | 3 21/32 | 4 15/16 | 9 27/32 | 12 3/8 | 10 31/32 | 16 13/32 | 3 1/2 | 5 1/2 | 39 3/8 | 1 31/32 | 9 | 10 17/32 | 3 3/32 | 3 3/8 | 1 13/32 | 36 | 5 3/16 | 8 5/32 |



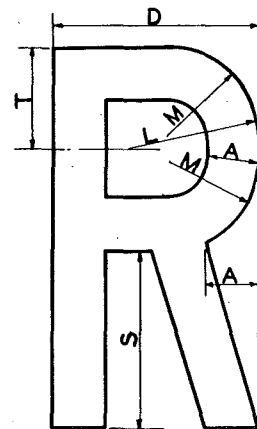
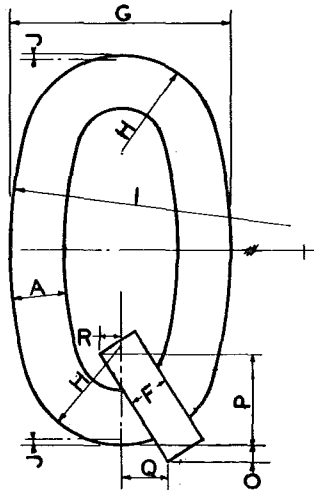
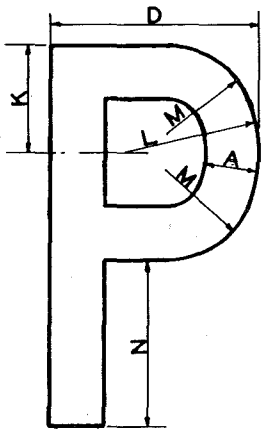
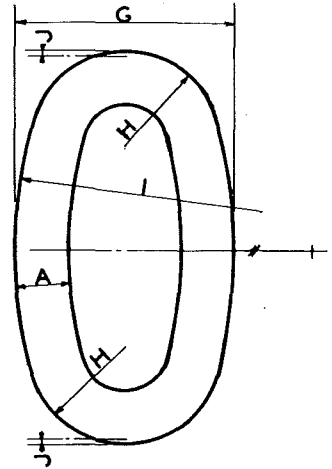
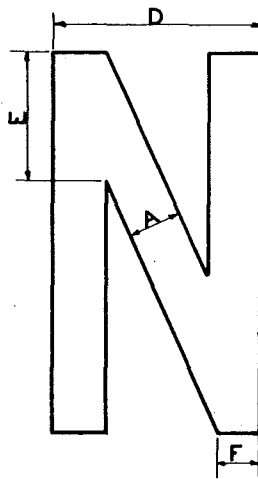
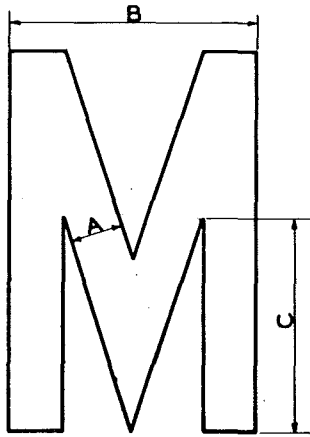
SERIES C LETTERS

| HEIGHT (INCHES) | DIMENSIONS (INCHES) | | | | | | | | | | | | | | | | | | |
|--------------------|---------------------|-----------------|------------------|------------------|-----------------|------------------|------------------|------------------|----------------|------------------|------------------|----------------|-----------------|------------------|------------------|----------------|------------------|------------------|------------------|
| | A | B | C | D | E | F | G | H | I | J | K | L | M | N | O | P | Q | R | S |
| 2 | $\frac{9}{32}$ | $\frac{1}{4}$ | $\frac{35}{64}$ | $\frac{1}{32}$ | $\frac{1}{2}$ | $\frac{7}{16}$ | $\frac{11}{16}$ | $\frac{23}{32}$ | $\frac{1}{32}$ | $\frac{3}{64}$ | $\frac{5}{32}$ | $\frac{1}{4}$ | $2\frac{1}{2}$ | $\frac{9}{16}$ | $\frac{31}{32}$ | 1 | $\frac{15}{16}$ | $\frac{27}{64}$ | $\frac{13}{32}$ |
| 3 | $\frac{27}{64}$ | $\frac{1}{2}$ | $\frac{13}{16}$ | $\frac{1}{16}$ | $\frac{3}{4}$ | $\frac{21}{32}$ | $\frac{1}{32}$ | $\frac{5}{64}$ | $\frac{3}{64}$ | $\frac{9}{16}$ | $\frac{15}{64}$ | $\frac{3}{8}$ | $3\frac{3}{4}$ | $\frac{27}{32}$ | $\frac{29}{64}$ | $\frac{1}{2}$ | $\frac{15}{32}$ | $\frac{5}{8}$ | $\frac{39}{64}$ |
| 4 | $\frac{9}{16}$ | $2\frac{1}{2}$ | $\frac{3}{32}$ | $2\frac{3}{16}$ | $\frac{1}{64}$ | $\frac{7}{8}$ | $\frac{1}{8}$ | $\frac{1}{16}$ | $\frac{1}{16}$ | $2\frac{3}{32}$ | $\frac{5}{16}$ | $\frac{1}{2}$ | 5 | $\frac{1}{8}$ | $\frac{11}{16}$ | 2 | $\frac{1}{8}$ | $\frac{27}{32}$ | $\frac{13}{16}$ |
| 5 | $\frac{45}{64}$ | $3\frac{1}{8}$ | $\frac{123}{64}$ | $\frac{247}{64}$ | $\frac{17}{64}$ | $\frac{13}{32}$ | $\frac{123}{32}$ | $\frac{51}{64}$ | $\frac{5}{64}$ | $2\frac{39}{64}$ | $\frac{25}{64}$ | $\frac{5}{8}$ | $6\frac{1}{4}$ | $\frac{113}{32}$ | $\frac{227}{64}$ | $2\frac{1}{2}$ | $2\frac{11}{32}$ | $\frac{3}{64}$ | $\frac{1}{64}$ |
| 6 | $\frac{27}{32}$ | $3\frac{3}{4}$ | $\frac{41}{64}$ | $3\frac{9}{32}$ | $\frac{33}{64}$ | $\frac{15}{16}$ | $2\frac{1}{16}$ | $2\frac{5}{32}$ | $\frac{3}{32}$ | $3\frac{9}{64}$ | $\frac{15}{32}$ | $\frac{3}{4}$ | $7\frac{1}{2}$ | $\frac{11}{16}$ | $2\frac{29}{32}$ | 3 | $2\frac{13}{16}$ | $\frac{17}{64}$ | $\frac{1}{32}$ |
| 7 | $\frac{63}{64}$ | $4\frac{3}{8}$ | $\frac{129}{32}$ | $3\frac{23}{64}$ | $\frac{19}{64}$ | $\frac{17}{32}$ | $2\frac{13}{32}$ | $2\frac{23}{64}$ | $\frac{7}{64}$ | $3\frac{81}{64}$ | $\frac{35}{64}$ | $\frac{7}{8}$ | $8\frac{3}{4}$ | $\frac{131}{32}$ | $3\frac{23}{64}$ | $3\frac{1}{2}$ | $3\frac{9}{32}$ | $\frac{15}{64}$ | $\frac{127}{64}$ |
| 8 | $\frac{1}{8}$ | 5 | $2\frac{3}{16}$ | $4\frac{3}{8}$ | $2\frac{1}{32}$ | $\frac{1}{4}$ | $2\frac{3}{4}$ | $2\frac{7}{8}$ | $\frac{1}{8}$ | $4\frac{3}{16}$ | $\frac{5}{8}$ | 1 | 10 | $2\frac{1}{4}$ | $3\frac{7}{8}$ | 4 | $3\frac{3}{4}$ | $\frac{11}{16}$ | $\frac{5}{8}$ |
| 12 | $\frac{11}{16}$ | $7\frac{1}{2}$ | $3\frac{9}{32}$ | $6\frac{9}{16}$ | $3\frac{3}{64}$ | $2\frac{5}{8}$ | 4 $\frac{1}{8}$ | $4\frac{5}{16}$ | $\frac{3}{16}$ | $6\frac{3}{32}$ | $\frac{15}{16}$ | $1\frac{1}{2}$ | 15 | $3\frac{3}{8}$ | $5\frac{13}{16}$ | 6 | $5\frac{5}{8}$ | $2\frac{17}{32}$ | $2\frac{7}{16}$ |
| 18 | $2\frac{17}{32}$ | $11\frac{1}{4}$ | $4\frac{15}{16}$ | $9\frac{27}{32}$ | $4\frac{9}{8}$ | $3\frac{15}{16}$ | $6\frac{3}{16}$ | $6\frac{15}{32}$ | $\frac{9}{32}$ | $9\frac{7}{16}$ | $1\frac{13}{32}$ | $2\frac{1}{4}$ | $22\frac{1}{2}$ | $5\frac{1}{16}$ | $8\frac{23}{32}$ | 9 | $8\frac{7}{16}$ | $3\frac{13}{16}$ | $3\frac{21}{32}$ |



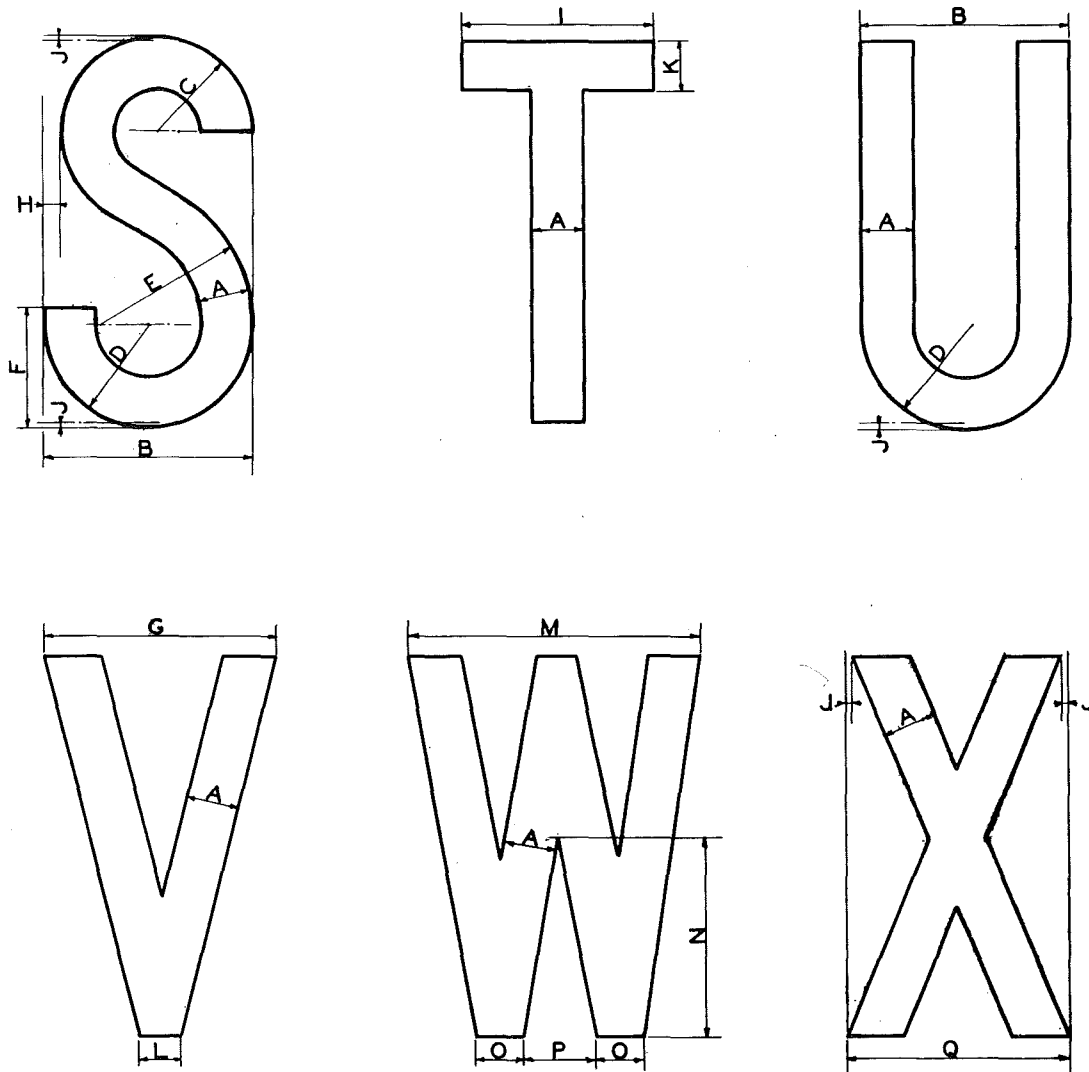
SERIES C LETTERS

| HEIGHT (INCHES) | DIMENSIONS (INCHES) | | | | | | | | | | | | | |
|--------------------|---------------------|------------------|------------------|-----------------|----------------|----------------|----------------|------------------|------------------|----------------|------------------|------------------|------------------|------------------|
| | A | B | C | D | E | F | G | H | I | J | K | L | M | N |
| 2 | $\frac{9}{32}$ | $\frac{13}{32}$ | $\frac{1}{2}$ | $2\frac{1}{2}$ | $\frac{1}{2}$ | 1 | $\frac{1}{32}$ | $\frac{29}{32}$ | $\frac{17}{32}$ | $\frac{1}{4}$ | $\frac{17}{64}$ | $\frac{13}{64}$ | $\frac{41}{64}$ | $\frac{45}{64}$ |
| 3 | $\frac{27}{64}$ | $\frac{41}{64}$ | $\frac{3}{4}$ | $3\frac{3}{4}$ | $\frac{3}{4}$ | $\frac{1}{2}$ | $\frac{3}{64}$ | $\frac{23}{64}$ | $\frac{51}{64}$ | $\frac{3}{8}$ | $\frac{25}{64}$ | $\frac{9}{16}$ | $\frac{61}{64}$ | $\frac{13}{64}$ |
| 4 | $\frac{9}{16}$ | $2\frac{3}{16}$ | $\frac{17}{64}$ | 5 | 1 | 2 | $\frac{1}{16}$ | $1\frac{13}{16}$ | $\frac{1}{16}$ | $\frac{1}{2}$ | $\frac{17}{32}$ | $2\frac{3}{32}$ | $1\frac{3}{32}$ | $\frac{13}{32}$ |
| 5 | $\frac{45}{64}$ | $2\frac{47}{64}$ | $\frac{17}{64}$ | $6\frac{1}{4}$ | $1\frac{1}{4}$ | $2\frac{1}{2}$ | $\frac{5}{64}$ | $2\frac{17}{64}$ | $\frac{21}{64}$ | $\frac{5}{8}$ | $\frac{21}{32}$ | $2\frac{39}{64}$ | $1\frac{9}{32}$ | $\frac{3}{4}$ |
| 6 | $\frac{27}{32}$ | $3\frac{9}{32}$ | $\frac{133}{64}$ | $7\frac{1}{2}$ | $1\frac{1}{2}$ | 3 | $\frac{3}{32}$ | $2\frac{23}{32}$ | $\frac{19}{32}$ | $\frac{3}{4}$ | $\frac{51}{64}$ | $3\frac{9}{64}$ | $\frac{159}{64}$ | $2\frac{7}{64}$ |
| 7 | $\frac{63}{64}$ | $3\frac{53}{64}$ | $\frac{149}{64}$ | $8\frac{3}{4}$ | $1\frac{3}{4}$ | $3\frac{1}{2}$ | $\frac{7}{64}$ | $3\frac{11}{64}$ | $\frac{55}{64}$ | $\frac{7}{8}$ | $\frac{59}{64}$ | $3\frac{21}{32}$ | $2\frac{15}{64}$ | $2\frac{29}{64}$ |
| 8 | $1\frac{1}{8}$ | $4\frac{3}{8}$ | $2\frac{1}{32}$ | 10 | 2 | 4 | $\frac{1}{8}$ | $3\frac{5}{8}$ | $2\frac{1}{8}$ | 1 | $1\frac{1}{16}$ | $4\frac{3}{16}$ | $2\frac{9}{16}$ | $2\frac{13}{16}$ |
| 12 | $1\frac{11}{16}$ | $6\frac{9}{16}$ | $3\frac{3}{64}$ | 15 | 3 | 6 | $\frac{3}{16}$ | $5\frac{7}{16}$ | $3\frac{3}{16}$ | $1\frac{1}{2}$ | $1\frac{19}{32}$ | $6\frac{9}{32}$ | $3\frac{27}{32}$ | $4\frac{7}{32}$ |
| 18 | $2\frac{17}{32}$ | $9\frac{27}{32}$ | $4\frac{9}{16}$ | $22\frac{1}{2}$ | $4\frac{1}{2}$ | 9 | $\frac{9}{32}$ | $8\frac{5}{32}$ | $4\frac{25}{32}$ | $2\frac{1}{4}$ | $2\frac{3}{8}$ | $9\frac{7}{16}$ | $5\frac{3}{4}$ | $6\frac{5}{16}$ |



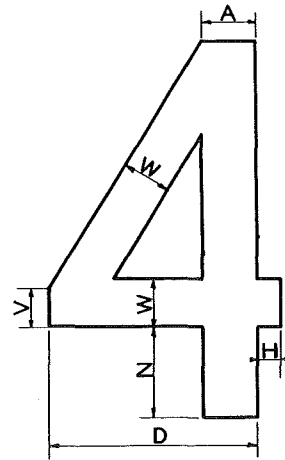
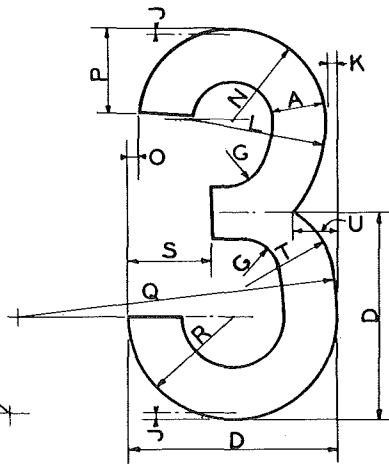
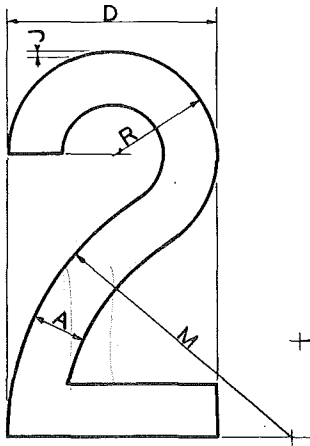
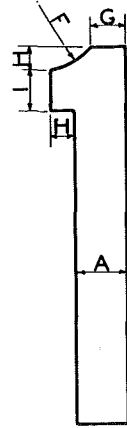
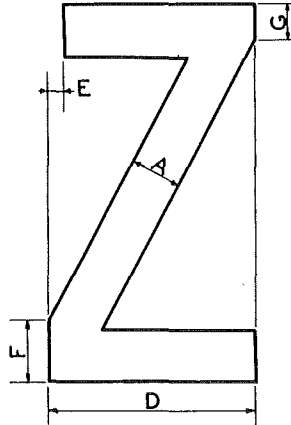
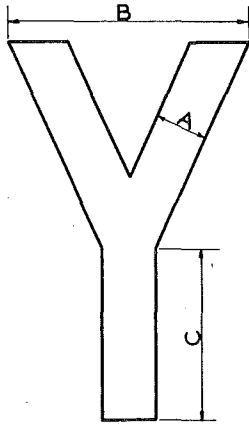
SERIES C LETTERS

| HEIGHT (INCHES) | DIMENSIONS (INCHES) | | | | | | | | | | | | | | | | | | | |
|--------------------|---------------------|-------------------|------------------|------------------|------------------|------------------|-------------------|------------------|------------------|----------------|------------------|------------------|------------------|-----------------|-----------------|------------------|----------------|-----------------|------------------|------------------|
| | A | B | C | D | E | F | G | H | I | J | K | L | M | N | O | P | Q | R | S | T |
| 2 | $\frac{3}{32}$ | $\frac{13}{64}$ | $\frac{1}{8}$ | $\frac{13}{32}$ | $\frac{43}{64}$ | $\frac{7}{32}$ | $\frac{13}{32}$ | $\frac{1}{2}$ | $2\frac{1}{2}$ | $\frac{3}{32}$ | $\frac{9}{16}$ | $\frac{23}{32}$ | $\frac{15}{32}$ | $\frac{7}{8}$ | $\frac{3}{32}$ | $\frac{15}{64}$ | $\frac{1}{4}$ | $\frac{7}{64}$ | $\frac{15}{16}$ | $\frac{17}{32}$ |
| 3 | $\frac{27}{64}$ | $\frac{11}{16}$ | $\frac{11}{16}$ | $\frac{11}{64}$ | 1 | $\frac{21}{64}$ | $\frac{17}{64}$ | $\frac{3}{4}$ | $3\frac{3}{4}$ | $\frac{3}{64}$ | $\frac{27}{32}$ | $\frac{13}{64}$ | $\frac{43}{64}$ | $\frac{15}{16}$ | $\frac{21}{64}$ | $\frac{43}{64}$ | $\frac{3}{8}$ | $\frac{5}{32}$ | $\frac{13}{32}$ | $\frac{21}{64}$ |
| 4 | $\frac{9}{16}$ | $2\frac{13}{16}$ | $2\frac{1}{8}$ | $2\frac{3}{16}$ | $1\frac{1}{2}$ | $\frac{7}{16}$ | $2\frac{5}{16}$ | $1\frac{5}{8}$ | 5 | $\frac{1}{16}$ | $1\frac{1}{8}$ | $\frac{13}{16}$ | $\frac{13}{8}$ | $1\frac{3}{4}$ | $\frac{3}{16}$ | $\frac{13}{16}$ | $\frac{1}{2}$ | $\frac{7}{32}$ | $1\frac{7}{8}$ | $1\frac{1}{8}$ |
| 5 | $\frac{43}{64}$ | $3\frac{15}{64}$ | $2\frac{13}{16}$ | $2\frac{47}{64}$ | $1\frac{43}{64}$ | $\frac{33}{64}$ | $2\frac{27}{64}$ | $1\frac{17}{64}$ | $6\frac{1}{4}$ | $\frac{5}{64}$ | $\frac{13}{32}$ | $\frac{11}{64}$ | $\frac{11}{64}$ | $2\frac{3}{16}$ | $\frac{15}{64}$ | $\frac{11}{64}$ | $\frac{5}{8}$ | $\frac{17}{64}$ | $2\frac{11}{32}$ | $\frac{21}{64}$ |
| 6 | $\frac{27}{32}$ | $3\frac{27}{64}$ | $3\frac{3}{8}$ | $3\frac{3}{32}$ | $2\frac{1}{4}$ | $\frac{31}{32}$ | $3\frac{15}{32}$ | $\frac{33}{64}$ | $7\frac{1}{2}$ | $\frac{3}{32}$ | $1\frac{11}{16}$ | $2\frac{3}{32}$ | $\frac{13}{32}$ | $2\frac{5}{8}$ | $\frac{3}{32}$ | $1\frac{13}{32}$ | $\frac{3}{4}$ | $\frac{21}{64}$ | $2\frac{13}{16}$ | $\frac{19}{32}$ |
| 7 | $\frac{23}{64}$ | $4\frac{17}{32}$ | $3\frac{15}{16}$ | $3\frac{23}{64}$ | $2\frac{11}{32}$ | $\frac{27}{64}$ | $4\frac{3}{64}$ | $1\frac{23}{64}$ | $8\frac{3}{4}$ | $\frac{7}{64}$ | $\frac{31}{32}$ | $2\frac{23}{64}$ | $\frac{11}{64}$ | $3\frac{1}{16}$ | $\frac{21}{64}$ | $\frac{11}{64}$ | $\frac{7}{8}$ | $\frac{3}{8}$ | $3\frac{3}{32}$ | $\frac{19}{64}$ |
| 8 | $1\frac{1}{8}$ | $5\frac{3}{16}$ | $4\frac{1}{2}$ | $4\frac{3}{8}$ | $2\frac{11}{16}$ | $\frac{7}{8}$ | $4\frac{3}{8}$ | $2\frac{1}{32}$ | 10 | $\frac{1}{8}$ | $2\frac{1}{4}$ | $2\frac{7}{8}$ | $\frac{17}{8}$ | $3\frac{1}{2}$ | $\frac{3}{8}$ | $1\frac{7}{8}$ | 1 | $\frac{7}{16}$ | $3\frac{3}{4}$ | $2\frac{1}{8}$ |
| 12 | $1\frac{11}{16}$ | $7\frac{23}{32}$ | $6\frac{3}{4}$ | $6\frac{1}{8}$ | $4\frac{3}{2}$ | $1\frac{1}{8}$ | $6\frac{11}{16}$ | $3\frac{3}{4}$ | 15 | $\frac{3}{16}$ | $3\frac{3}{8}$ | $4\frac{5}{16}$ | $2\frac{13}{16}$ | 5 $\frac{1}{4}$ | $\frac{9}{16}$ | $2\frac{13}{16}$ | $1\frac{1}{2}$ | $\frac{21}{32}$ | 5 $\frac{5}{8}$ | $3\frac{3}{16}$ |
| 18 | $2\frac{13}{32}$ | $11\frac{43}{64}$ | 10 $\frac{1}{8}$ | $9\frac{27}{32}$ | $6\frac{1}{8}$ | $1\frac{31}{32}$ | $10\frac{13}{32}$ | $4\frac{3}{8}$ | 22 $\frac{1}{2}$ | $\frac{9}{32}$ | $5\frac{1}{16}$ | $6\frac{15}{32}$ | $4\frac{7}{32}$ | $7\frac{7}{8}$ | $\frac{27}{32}$ | $4\frac{7}{32}$ | $2\frac{1}{4}$ | 1 | $9\frac{1}{16}$ | $4\frac{23}{32}$ |



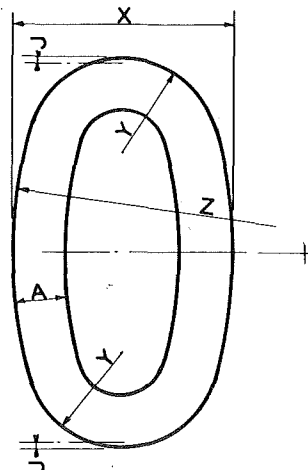
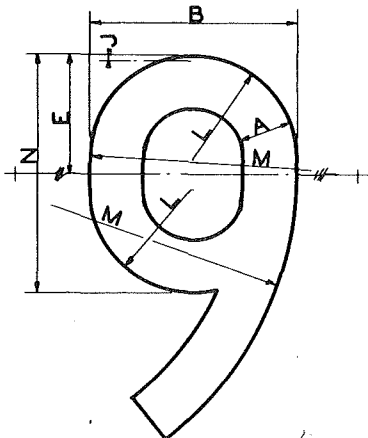
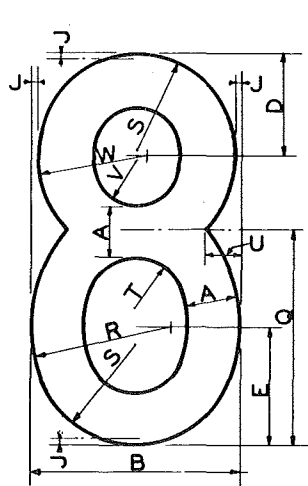
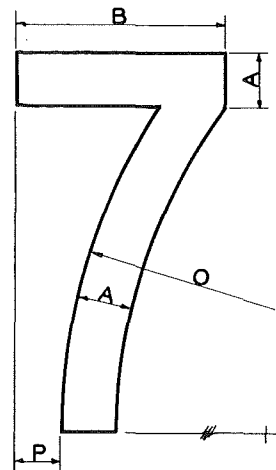
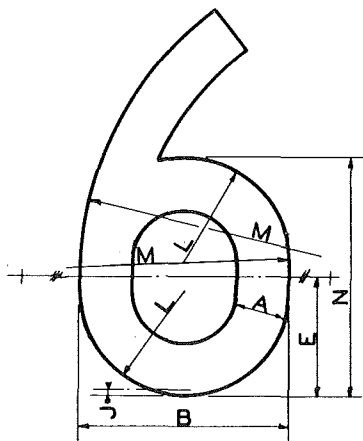
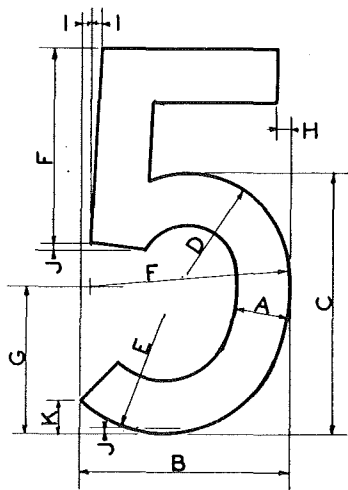
SERIES C LETTERS

| HEIGHT (INCHES) | DIMENSIONS (INCHES) | | | | | | | | | | | | | | | | |
|--------------------|---------------------|------------------|----------------|------------------|------------------|-----------------|-------------------|-----------------|----------------|----------------|------------------|------------------|-----------------|------------------|----------------|-----------------|------------------|
| | A | B | C | D | E | F | G | H | I | J | K | L | M | N | O | P | Q |
| 2 | $\frac{3}{32}$ | $1\frac{3}{32}$ | $\frac{1}{2}$ | $\frac{35}{64}$ | $\frac{13}{16}$ | $\frac{5}{8}$ | $1\frac{7}{32}$ | $\frac{3}{32}$ | 1 | $\frac{3}{32}$ | $\frac{17}{64}$ | $\frac{7}{32}$ | $1\frac{1}{2}$ | $1\frac{3}{64}$ | $\frac{1}{4}$ | $\frac{3}{8}$ | $1\frac{1}{4}$ |
| 3 | $\frac{27}{64}$ | $1\frac{21}{64}$ | $\frac{3}{4}$ | $\frac{13}{16}$ | $1\frac{7}{32}$ | $\frac{15}{16}$ | $1\frac{23}{64}$ | $\frac{9}{64}$ | $1\frac{1}{2}$ | $\frac{3}{64}$ | $\frac{25}{64}$ | $\frac{21}{64}$ | $2\frac{1}{4}$ | $1\frac{9}{16}$ | $\frac{3}{8}$ | $\frac{9}{16}$ | $1\frac{3}{4}$ |
| 4 | $\frac{9}{16}$ | $2\frac{3}{16}$ | 1 | $1\frac{3}{32}$ | $1\frac{5}{8}$ | $1\frac{1}{4}$ | $2\frac{7}{16}$ | $\frac{3}{16}$ | 2 | $\frac{1}{16}$ | $1\frac{17}{32}$ | $\frac{7}{16}$ | 3 | $2\frac{3}{32}$ | $\frac{1}{2}$ | $\frac{3}{4}$ | $2\frac{1}{32}$ |
| 5 | $\frac{33}{64}$ | $2\frac{27}{64}$ | $1\frac{1}{4}$ | $1\frac{23}{64}$ | $2\frac{1}{32}$ | $1\frac{9}{16}$ | $2\frac{3}{16}$ | $\frac{13}{64}$ | $2\frac{1}{2}$ | $\frac{5}{64}$ | $\frac{31}{64}$ | $\frac{23}{64}$ | $3\frac{3}{4}$ | $2\frac{29}{64}$ | $\frac{5}{8}$ | $1\frac{5}{8}$ | $2\frac{23}{64}$ |
| 6 | $\frac{27}{32}$ | $3\frac{3}{32}$ | $1\frac{1}{2}$ | $1\frac{41}{64}$ | $2\frac{7}{16}$ | $1\frac{7}{8}$ | $3\frac{21}{32}$ | $\frac{3}{32}$ | 3 | $\frac{3}{32}$ | $\frac{51}{64}$ | $\frac{21}{32}$ | $4\frac{1}{2}$ | $3\frac{3}{64}$ | $\frac{3}{4}$ | $1\frac{1}{8}$ | $3\frac{33}{64}$ |
| 7 | $\frac{53}{64}$ | $3\frac{53}{64}$ | $1\frac{3}{4}$ | $1\frac{29}{32}$ | $2\frac{27}{32}$ | $2\frac{3}{16}$ | $4\frac{17}{64}$ | $\frac{21}{64}$ | $3\frac{1}{2}$ | $\frac{7}{64}$ | $\frac{59}{64}$ | $\frac{49}{64}$ | $5\frac{1}{4}$ | $3\frac{31}{32}$ | $\frac{7}{8}$ | $1\frac{5}{16}$ | $4\frac{3}{32}$ |
| 8 | $1\frac{1}{8}$ | $4\frac{3}{8}$ | 2 | $2\frac{7}{16}$ | $3\frac{1}{4}$ | $2\frac{1}{2}$ | $4\frac{7}{8}$ | $\frac{3}{8}$ | 4 | $\frac{1}{8}$ | $1\frac{1}{16}$ | $\frac{7}{8}$ | 6 | $4\frac{3}{16}$ | 1 | $1\frac{1}{2}$ | $4\frac{1}{8}$ |
| 12 | $1\frac{11}{16}$ | $6\frac{9}{16}$ | 3 | $3\frac{3}{32}$ | $4\frac{7}{8}$ | $3\frac{3}{4}$ | $7\frac{5}{16}$ | $\frac{9}{16}$ | 6 | $\frac{3}{16}$ | $1\frac{19}{32}$ | $\frac{15}{16}$ | 9 | $6\frac{9}{32}$ | $1\frac{1}{2}$ | $2\frac{1}{4}$ | $7\frac{1}{32}$ |
| 18 | $2\frac{17}{32}$ | $9\frac{27}{32}$ | $4\frac{1}{2}$ | $4\frac{15}{16}$ | $7\frac{5}{16}$ | $5\frac{5}{8}$ | $10\frac{31}{32}$ | $\frac{27}{32}$ | 9 | $\frac{9}{32}$ | $2\frac{3}{8}$ | $1\frac{31}{32}$ | $13\frac{1}{2}$ | $9\frac{7}{16}$ | $2\frac{1}{4}$ | $3\frac{3}{8}$ | $10\frac{9}{32}$ |



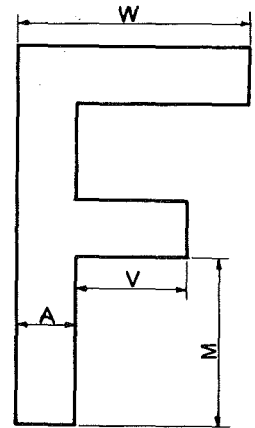
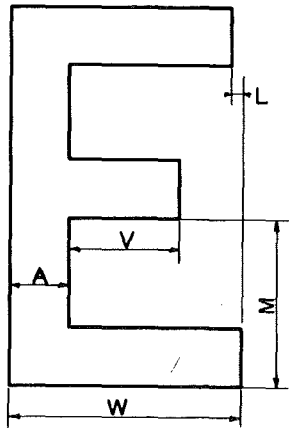
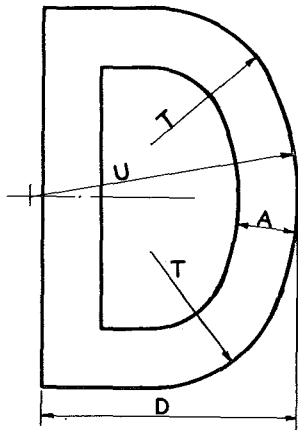
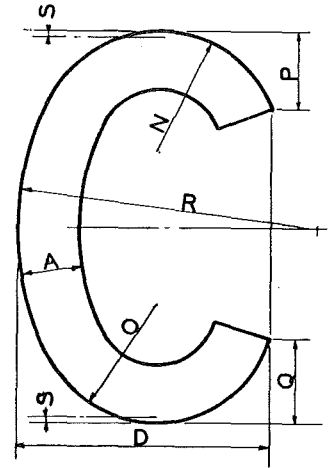
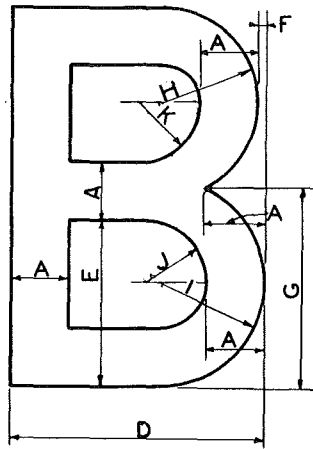
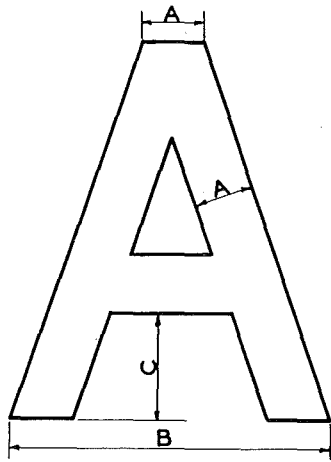
SERIES C LETTERS AND NUMERALS

| HEIGHT (INCHES) | DIMENSIONS (INCHES) | | | | | | | | | | | | | | | | | | | | | | |
|--------------------|---------------------|-----------------|------------------|------------------|-----------------|------------------|-----------------|----------------|------------------|----------------|----------------|----------------|-----------------|------------------|----------------|------------------|-------------------|------------------|------------------|------------------|-----------------|-----------------|-----------------|
| | A | B | C | D | E | F | G | H | I | J | K | L | M | N | O | P | Q | R | S | T | U | V | W |
| 2 | $\frac{3}{32}$ | $\frac{1}{4}$ | $\frac{29}{64}$ | $\frac{1}{32}$ | $\frac{5}{64}$ | $\frac{5}{16}$ | $\frac{3}{16}$ | $\frac{1}{8}$ | $\frac{7}{32}$ | $\frac{3}{2}$ | $\frac{3}{64}$ | $\frac{3}{4}$ | $\frac{1}{2}$ | $\frac{3}{4}$ | $\frac{1}{16}$ | $\frac{29}{64}$ | $\frac{13}{2}$ | $\frac{25}{64}$ | $\frac{7}{16}$ | $\frac{15}{32}$ | $\frac{15}{64}$ | $\frac{13}{64}$ | $\frac{17}{64}$ |
| 3 | $\frac{27}{64}$ | $\frac{1}{8}$ | $\frac{123}{64}$ | $\frac{41}{64}$ | $\frac{7}{64}$ | $\frac{15}{32}$ | $\frac{9}{32}$ | $\frac{3}{16}$ | $\frac{21}{64}$ | $\frac{3}{64}$ | $\frac{1}{16}$ | $\frac{1}{8}$ | $2\frac{1}{4}$ | $\frac{23}{32}$ | $\frac{3}{32}$ | $\frac{43}{64}$ | $2\frac{31}{64}$ | $\frac{13}{16}$ | $\frac{21}{32}$ | $\frac{45}{64}$ | $\frac{11}{32}$ | $\frac{19}{64}$ | $\frac{25}{64}$ |
| 4 | $\frac{9}{16}$ | $2\frac{1}{2}$ | $\frac{113}{16}$ | $2\frac{3}{16}$ | $\frac{5}{32}$ | $\frac{5}{8}$ | $\frac{3}{8}$ | $\frac{1}{4}$ | $\frac{7}{16}$ | $\frac{1}{16}$ | $\frac{3}{32}$ | $1\frac{1}{2}$ | 3 | $\frac{31}{32}$ | $\frac{1}{8}$ | $\frac{39}{32}$ | $3\frac{5}{16}$ | $\frac{1}{32}$ | $\frac{7}{8}$ | $\frac{15}{16}$ | $\frac{15}{32}$ | $\frac{13}{32}$ | $\frac{17}{32}$ |
| 5 | $\frac{45}{64}$ | $3\frac{3}{8}$ | $2\frac{17}{64}$ | $2\frac{47}{64}$ | $\frac{3}{16}$ | $\frac{25}{32}$ | $\frac{15}{32}$ | $\frac{5}{16}$ | $\frac{25}{64}$ | $\frac{5}{64}$ | $\frac{7}{64}$ | $\frac{1}{8}$ | $3\frac{3}{4}$ | $\frac{113}{64}$ | $\frac{5}{32}$ | $\frac{1}{8}$ | $4\frac{9}{64}$ | $\frac{123}{64}$ | $\frac{1}{32}$ | $\frac{1}{64}$ | $\frac{37}{64}$ | $\frac{1}{2}$ | $\frac{21}{32}$ |
| 6 | $\frac{27}{32}$ | $3\frac{3}{4}$ | $2\frac{23}{32}$ | $3\frac{3}{32}$ | $\frac{15}{64}$ | $\frac{15}{16}$ | $\frac{9}{16}$ | $\frac{3}{8}$ | $\frac{21}{32}$ | $\frac{3}{32}$ | $\frac{9}{64}$ | $2\frac{1}{4}$ | $4\frac{1}{2}$ | $\frac{129}{64}$ | $\frac{3}{16}$ | $\frac{123}{64}$ | $4\frac{31}{64}$ | $\frac{121}{64}$ | $\frac{5}{16}$ | $\frac{113}{32}$ | $\frac{45}{64}$ | $\frac{29}{64}$ | $\frac{31}{64}$ |
| 7 | $\frac{83}{64}$ | $4\frac{3}{8}$ | $3\frac{11}{64}$ | $3\frac{53}{64}$ | $\frac{17}{64}$ | $\frac{1}{32}$ | $\frac{21}{32}$ | $\frac{7}{16}$ | $\frac{49}{64}$ | $\frac{7}{64}$ | $\frac{5}{32}$ | $2\frac{5}{8}$ | $5\frac{1}{4}$ | $\frac{11}{16}$ | $\frac{7}{32}$ | $\frac{137}{64}$ | $5\frac{51}{64}$ | $\frac{129}{32}$ | $\frac{117}{32}$ | $\frac{141}{64}$ | $\frac{13}{64}$ | $\frac{45}{64}$ | $\frac{59}{64}$ |
| 8 | $1\frac{1}{8}$ | 5 | $3\frac{5}{8}$ | $4\frac{3}{8}$ | $\frac{5}{16}$ | $\frac{1}{4}$ | $\frac{3}{4}$ | $\frac{1}{2}$ | $\frac{7}{8}$ | $\frac{1}{8}$ | $\frac{3}{16}$ | 3 | 6 | $\frac{119}{16}$ | $\frac{1}{4}$ | $\frac{113}{16}$ | $6\frac{5}{8}$ | $2\frac{1}{32}$ | $\frac{3}{4}$ | $\frac{17}{8}$ | $\frac{15}{16}$ | $\frac{13}{16}$ | $\frac{1}{16}$ |
| 12 | $1\frac{1}{16}$ | $7\frac{1}{4}$ | $\frac{57}{16}$ | $\frac{69}{16}$ | $\frac{15}{32}$ | $\frac{17}{8}$ | $\frac{1}{8}$ | $\frac{3}{4}$ | $\frac{15}{16}$ | $\frac{3}{16}$ | $\frac{9}{32}$ | $4\frac{1}{2}$ | 9 | $2\frac{15}{16}$ | $\frac{3}{8}$ | $2\frac{23}{32}$ | $9\frac{15}{16}$ | $3\frac{9}{32}$ | $2\frac{5}{8}$ | $2\frac{13}{32}$ | $\frac{13}{32}$ | $\frac{7}{32}$ | $\frac{19}{32}$ |
| 18 | $2\frac{17}{32}$ | $11\frac{1}{4}$ | $8\frac{5}{32}$ | $9\frac{7}{8}$ | $\frac{11}{16}$ | $2\frac{13}{16}$ | $\frac{11}{16}$ | $\frac{1}{8}$ | $\frac{131}{32}$ | $\frac{9}{32}$ | $\frac{7}{16}$ | $6\frac{3}{4}$ | $13\frac{1}{2}$ | $4\frac{7}{16}$ | $\frac{9}{16}$ | $4\frac{1}{16}$ | $14\frac{29}{32}$ | $4\frac{15}{16}$ | $3\frac{15}{16}$ | $4\frac{7}{32}$ | $2\frac{1}{5}$ | $\frac{11}{16}$ | $2\frac{3}{8}$ |



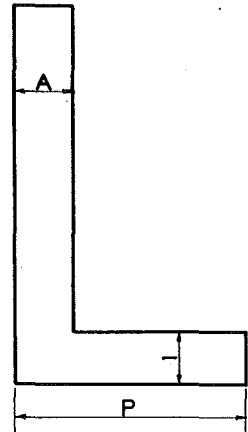
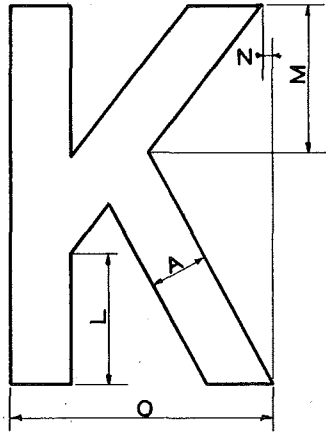
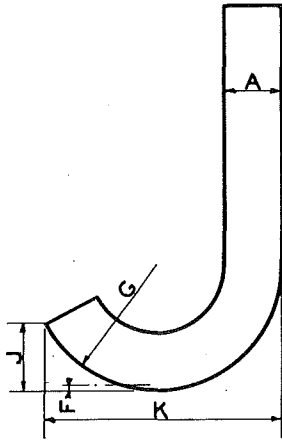
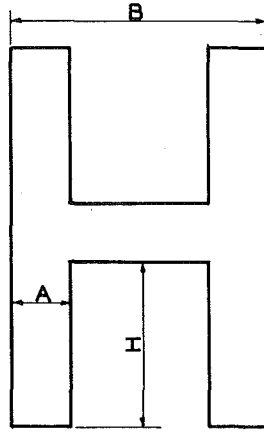
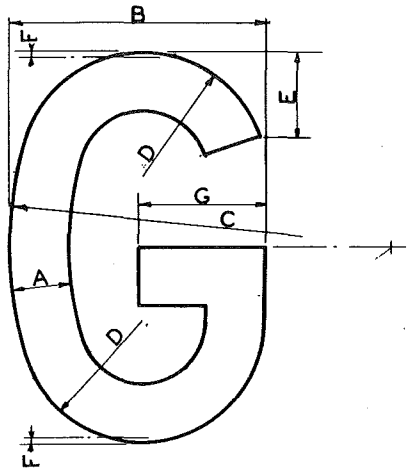
SERIES C NUMERALS

| HEIGHT (INCHES) | DIMENSIONS (INCHES) | | | | | | | | | | | | | | | | | | | | | | | | | |
|--------------------|---------------------|------------------|------------------|------------------|-----------------|------------------|------------------|-----------------|----------------|----------------|-----------------|-----------------|-----------------|-----------------|------------------|----------------|------------------|------------------|-----------------|------------------|-----------------|------------------|------------------|-------------------|-----------------|------------------|
| | A | B | C | D | E | F | G | H | I | J | K | L | M | N | O | P | Q | R | S | T | U | V | W | X | Y | Z |
| 2 | $\frac{9}{32}$ | $\frac{13}{32}$ | $\frac{13}{8}$ | $\frac{17}{32}$ | $\frac{5}{8}$ | $\frac{13}{32}$ | $\frac{25}{32}$ | $\frac{5}{4}$ | $\frac{3}{4}$ | $\frac{1}{32}$ | $\frac{11}{64}$ | $\frac{35}{64}$ | $\frac{13}{4}$ | $\frac{1}{4}$ | $\frac{33}{16}$ | $\frac{1}{4}$ | $\frac{1}{8}$ | $\frac{3}{4}$ | $\frac{33}{64}$ | $\frac{15}{64}$ | $\frac{3}{16}$ | $\frac{7}{32}$ | $\frac{41}{64}$ | $\frac{15}{32}$ | $\frac{1}{2}$ | $2\frac{1}{2}$ |
| 3 | $\frac{27}{64}$ | $\frac{41}{64}$ | $2\frac{1}{16}$ | $\frac{51}{64}$ | $\frac{15}{16}$ | $\frac{135}{64}$ | $\frac{11}{64}$ | $\frac{7}{64}$ | $\frac{1}{16}$ | $\frac{3}{64}$ | $\frac{1}{4}$ | $\frac{13}{16}$ | $2\frac{5}{8}$ | $\frac{1}{8}$ | $4\frac{25}{32}$ | $\frac{3}{8}$ | $1\frac{11}{16}$ | $\frac{1}{8}$ | $\frac{49}{64}$ | $\frac{11}{32}$ | $\frac{9}{32}$ | $\frac{21}{64}$ | $\frac{61}{64}$ | $1\frac{47}{64}$ | $\frac{3}{4}$ | $3\frac{3}{4}$ |
| 4 | $\frac{9}{16}$ | $2\frac{3}{16}$ | $2\frac{3}{4}$ | $1\frac{1}{16}$ | $1\frac{1}{4}$ | $2\frac{1}{16}$ | $\frac{19}{16}$ | $\frac{3}{32}$ | $\frac{3}{32}$ | $\frac{1}{16}$ | $\frac{11}{32}$ | $\frac{13}{32}$ | $3\frac{1}{2}$ | $2\frac{1}{2}$ | $6\frac{3}{8}$ | $\frac{1}{2}$ | $2\frac{1}{4}$ | $1\frac{33}{64}$ | $1\frac{1}{32}$ | $\frac{15}{32}$ | $\frac{3}{8}$ | $\frac{7}{16}$ | $\frac{9}{32}$ | $2\frac{5}{16}$ | $1\frac{1}{64}$ | 5 |
| 5 | $\frac{45}{64}$ | $2\frac{47}{64}$ | $3\frac{7}{16}$ | $\frac{21}{64}$ | $\frac{9}{16}$ | $2\frac{37}{64}$ | $\frac{61}{64}$ | $\frac{3}{16}$ | $\frac{7}{64}$ | $\frac{5}{64}$ | $\frac{27}{64}$ | $\frac{23}{64}$ | $4\frac{3}{8}$ | $3\frac{3}{8}$ | $7\frac{31}{32}$ | $\frac{5}{8}$ | $2\frac{13}{16}$ | $\frac{57}{164}$ | $\frac{9}{132}$ | $\frac{37}{64}$ | $\frac{15}{32}$ | $\frac{35}{64}$ | $\frac{19}{32}$ | $2\frac{57}{64}$ | $\frac{17}{64}$ | $6\frac{1}{4}$ |
| 6 | $\frac{27}{32}$ | $3\frac{9}{32}$ | $4\frac{1}{8}$ | $1\frac{19}{32}$ | $\frac{7}{8}$ | $3\frac{3}{32}$ | $2\frac{11}{32}$ | $\frac{15}{64}$ | $\frac{9}{64}$ | $\frac{3}{32}$ | $\frac{33}{64}$ | $\frac{41}{64}$ | $5\frac{1}{4}$ | $3\frac{3}{4}$ | $9\frac{9}{16}$ | $\frac{3}{4}$ | $3\frac{3}{8}$ | $2\frac{9}{32}$ | $\frac{25}{64}$ | $\frac{45}{64}$ | $\frac{9}{16}$ | $\frac{21}{32}$ | $\frac{59}{64}$ | $\frac{15}{32}$ | $\frac{33}{64}$ | $7\frac{1}{2}$ |
| 7 | $\frac{63}{64}$ | $3\frac{53}{64}$ | $4\frac{13}{16}$ | $\frac{55}{64}$ | $2\frac{3}{16}$ | $3\frac{39}{64}$ | $2\frac{47}{64}$ | $\frac{17}{64}$ | $\frac{5}{32}$ | $\frac{7}{64}$ | $\frac{19}{32}$ | $\frac{29}{32}$ | $6\frac{1}{8}$ | $4\frac{3}{8}$ | $11\frac{5}{32}$ | $\frac{7}{8}$ | $3\frac{15}{16}$ | $2\frac{21}{32}$ | $\frac{51}{64}$ | $\frac{13}{18}$ | $\frac{21}{32}$ | $\frac{49}{64}$ | $2\frac{15}{64}$ | $4\frac{3}{64}$ | $1\frac{3}{4}$ | $8\frac{3}{4}$ |
| 8 | $1\frac{1}{8}$ | $4\frac{3}{8}$ | $5\frac{1}{2}$ | $2\frac{1}{8}$ | $2\frac{1}{2}$ | $4\frac{1}{8}$ | $3\frac{1}{8}$ | $\frac{5}{16}$ | $\frac{3}{16}$ | $\frac{1}{8}$ | $\frac{11}{16}$ | $2\frac{1}{8}$ | 7 | 5 | $12\frac{3}{4}$ | 1 | $4\frac{1}{2}$ | $3\frac{3}{2}$ | $2\frac{1}{16}$ | $\frac{15}{16}$ | $\frac{3}{4}$ | $\frac{7}{8}$ | $2\frac{1}{16}$ | $4\frac{1}{8}$ | $2\frac{1}{2}$ | 10 |
| 12 | $1\frac{11}{16}$ | $9\frac{9}{16}$ | $8\frac{1}{4}$ | $3\frac{3}{16}$ | $3\frac{3}{4}$ | $6\frac{1}{16}$ | $4\frac{1}{16}$ | $\frac{15}{32}$ | $\frac{9}{32}$ | $\frac{3}{16}$ | $\frac{1}{32}$ | $\frac{33}{32}$ | $10\frac{1}{2}$ | $7\frac{1}{2}$ | $19\frac{1}{8}$ | $\frac{1}{2}$ | $6\frac{3}{4}$ | $4\frac{35}{64}$ | $3\frac{3}{32}$ | $\frac{13}{32}$ | $\frac{1}{8}$ | $\frac{5}{16}$ | $3\frac{27}{32}$ | $6\frac{15}{16}$ | $3\frac{3}{64}$ | 15 |
| 18 | $2\frac{17}{32}$ | $9\frac{27}{32}$ | $12\frac{3}{8}$ | $4\frac{25}{32}$ | $5\frac{5}{8}$ | $9\frac{9}{32}$ | $7\frac{1}{32}$ | $\frac{11}{16}$ | $\frac{7}{16}$ | $\frac{9}{32}$ | $\frac{1}{16}$ | $4\frac{1}{16}$ | $15\frac{3}{4}$ | $11\frac{1}{4}$ | $28\frac{1}{16}$ | $2\frac{1}{4}$ | $10\frac{1}{8}$ | $6\frac{13}{16}$ | $4\frac{1}{64}$ | $\frac{41}{264}$ | $\frac{7}{116}$ | $\frac{31}{132}$ | $5\frac{49}{64}$ | $10\frac{13}{32}$ | $4\frac{9}{16}$ | 22 $\frac{1}{2}$ |



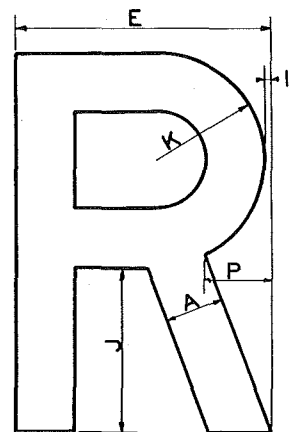
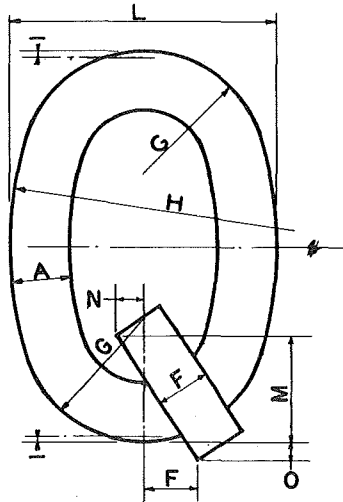
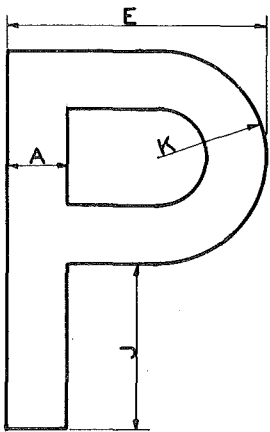
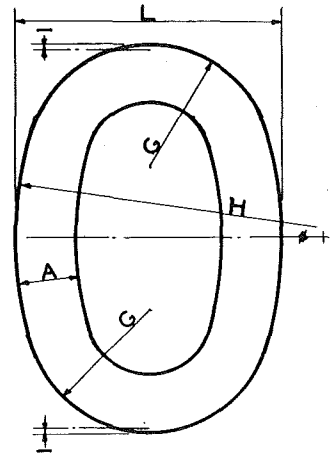
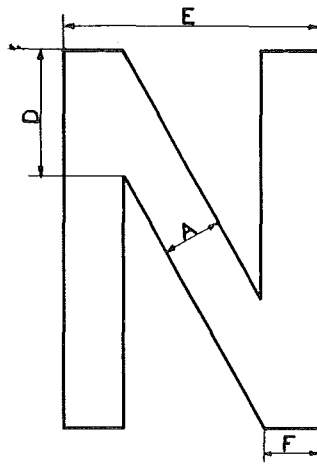
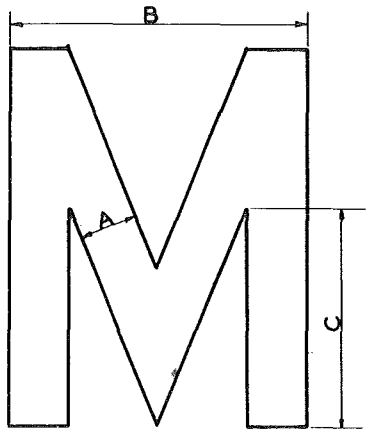
SERIES D LETTERS

| HEIGHT (INCHES) | DIMENSIONS (INCHES) | | | | | | | | | | | | | | | | | | | | | | |
|--------------------|---------------------|------------------|------------------|------------------|-----------------|----------------|------------------|----------------|------------------|------------------|------------------|----------------|-----------------|------------------|------------------|------------------|------------------|------------------|-----------------|------------------|-------------------|------------------|-------------------|
| | A | B | C | D | E | F | G | H | I | J | K | L | M | N | O | P | Q | R | S | T | U | V | W |
| 2 | $\frac{5}{16}$ | $\frac{123}{64}$ | $\frac{9}{16}$ | $1\frac{11}{32}$ | $\frac{7}{8}$ | $\frac{3}{64}$ | $1\frac{3}{64}$ | $\frac{1}{2}$ | $\frac{33}{64}$ | $\frac{21}{64}$ | $\frac{5}{16}$ | $\frac{1}{16}$ | $\frac{7}{8}$ | $\frac{21}{32}$ | $\frac{41}{64}$ | $\frac{13}{32}$ | $\frac{7}{16}$ | $\frac{9}{16}$ | $\frac{1}{32}$ | $\frac{33}{32}$ | $\frac{13}{32}$ | $\frac{27}{64}$ | $\frac{7}{32}$ |
| 3 | $\frac{15}{32}$ | $2\frac{1}{2}$ | $\frac{27}{32}$ | $2\frac{1}{64}$ | $1\frac{5}{16}$ | $\frac{1}{16}$ | $1\frac{9}{16}$ | $\frac{3}{4}$ | $\frac{13}{16}$ | $\frac{31}{64}$ | $\frac{15}{32}$ | $\frac{3}{32}$ | $1\frac{5}{16}$ | $\frac{63}{64}$ | $\frac{51}{64}$ | $\frac{39}{64}$ | $\frac{21}{32}$ | $2\frac{3}{8}$ | $\frac{3}{64}$ | $1\frac{5}{64}$ | $2\frac{7}{64}$ | $\frac{55}{64}$ | $1\frac{53}{64}$ |
| 4 | $\frac{5}{8}$ | $3\frac{11}{32}$ | $1\frac{1}{8}$ | $2\frac{11}{16}$ | $1\frac{3}{4}$ | $\frac{3}{32}$ | $2\frac{3}{32}$ | 1 | $1\frac{13}{32}$ | $\frac{21}{32}$ | $\frac{5}{8}$ | $\frac{1}{8}$ | $1\frac{3}{4}$ | $1\frac{5}{16}$ | $\frac{13}{16}$ | $\frac{7}{8}$ | $3\frac{5}{16}$ | $\frac{1}{16}$ | $1\frac{7}{16}$ | $2\frac{13}{16}$ | $1\frac{13}{32}$ | $2\frac{7}{16}$ | |
| 5 | $\frac{25}{32}$ | $4\frac{3}{16}$ | $1\frac{13}{32}$ | $3\frac{23}{64}$ | $2\frac{3}{16}$ | $\frac{7}{64}$ | $2\frac{39}{64}$ | $1\frac{1}{4}$ | $1\frac{23}{64}$ | $\frac{13}{16}$ | $\frac{25}{32}$ | $\frac{5}{32}$ | $2\frac{3}{16}$ | $1\frac{41}{64}$ | $\frac{19}{32}$ | $1\frac{1}{64}$ | $\frac{13}{32}$ | $3\frac{15}{16}$ | $\frac{5}{64}$ | $1\frac{51}{64}$ | $3\frac{1}{2}$ | $1\frac{7}{16}$ | $3\frac{3}{64}$ |
| 6 | $\frac{15}{16}$ | $5\frac{1}{64}$ | $1\frac{11}{16}$ | $4\frac{13}{32}$ | $2\frac{5}{8}$ | $\frac{9}{64}$ | $3\frac{9}{64}$ | $1\frac{1}{2}$ | $1\frac{41}{64}$ | $\frac{63}{64}$ | $\frac{15}{16}$ | $\frac{3}{16}$ | $2\frac{5}{8}$ | $1\frac{31}{32}$ | $\frac{59}{64}$ | $\frac{7}{32}$ | $1\frac{5}{16}$ | $4\frac{3}{4}$ | $\frac{3}{32}$ | $2\frac{3}{32}$ | $4\frac{3}{2}$ | $1\frac{47}{64}$ | $3\frac{31}{32}$ |
| 7 | $1\frac{3}{32}$ | $5\frac{27}{32}$ | $1\frac{31}{32}$ | $4\frac{45}{64}$ | $3\frac{1}{16}$ | $\frac{5}{32}$ | $3\frac{21}{32}$ | $1\frac{3}{4}$ | $1\frac{29}{32}$ | $\frac{9}{64}$ | $1\frac{13}{32}$ | $\frac{7}{32}$ | $3\frac{1}{16}$ | $2\frac{19}{64}$ | $2\frac{15}{64}$ | $1\frac{27}{64}$ | $1\frac{7}{32}$ | $5\frac{17}{32}$ | $\frac{7}{64}$ | $2\frac{33}{64}$ | $4\frac{59}{64}$ | $2\frac{1}{64}$ | $4\frac{17}{64}$ |
| 8 | $1\frac{1}{4}$ | $6\frac{11}{16}$ | $2\frac{1}{4}$ | $5\frac{3}{8}$ | $3\frac{1}{2}$ | $\frac{3}{16}$ | $4\frac{3}{16}$ | 2 | $2\frac{3}{16}$ | $1\frac{5}{16}$ | $1\frac{1}{4}$ | $\frac{1}{4}$ | $3\frac{1}{2}$ | $2\frac{5}{8}$ | $2\frac{9}{16}$ | $1\frac{5}{8}$ | $1\frac{3}{4}$ | $6\frac{5}{16}$ | $\frac{1}{8}$ | $2\frac{7}{8}$ | $5\frac{5}{8}$ | $2\frac{5}{16}$ | $4\frac{7}{8}$ |
| 12 | $1\frac{7}{8}$ | $10\frac{1}{32}$ | $3\frac{3}{8}$ | $8\frac{1}{16}$ | $5\frac{1}{4}$ | $\frac{9}{32}$ | $6\frac{9}{32}$ | 3 | $3\frac{9}{32}$ | $\frac{13}{32}$ | $1\frac{7}{8}$ | $\frac{3}{8}$ | $5\frac{1}{4}$ | $3\frac{15}{16}$ | $3\frac{27}{32}$ | $2\frac{7}{16}$ | $2\frac{5}{8}$ | $9\frac{15}{32}$ | $\frac{3}{16}$ | $4\frac{5}{16}$ | $8\frac{7}{16}$ | $3\frac{15}{32}$ | $7\frac{7}{8}$ |
| 18 | $2\frac{13}{16}$ | $15\frac{1}{16}$ | $5\frac{1}{16}$ | $12\frac{3}{32}$ | $7\frac{7}{8}$ | $\frac{7}{16}$ | $9\frac{7}{16}$ | $4\frac{1}{2}$ | $4\frac{15}{16}$ | $2\frac{15}{16}$ | $2\frac{13}{16}$ | $\frac{9}{16}$ | $7\frac{7}{8}$ | $5\frac{29}{32}$ | $5\frac{3}{4}$ | $3\frac{21}{32}$ | $3\frac{15}{16}$ | $14\frac{3}{16}$ | $\frac{9}{32}$ | $6\frac{15}{32}$ | $12\frac{21}{32}$ | $5\frac{3}{16}$ | $10\frac{31}{32}$ |



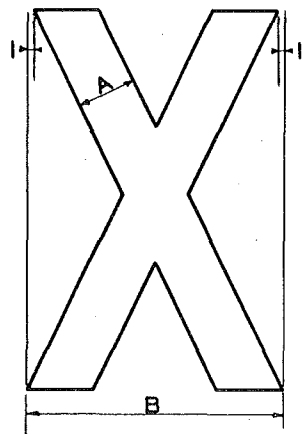
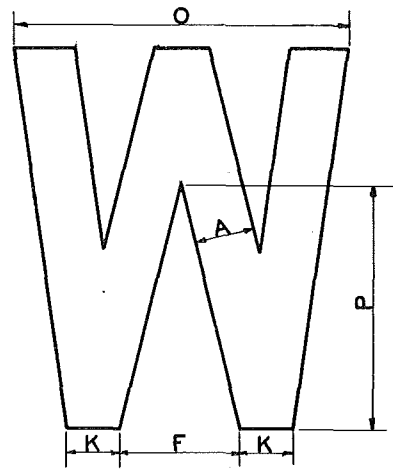
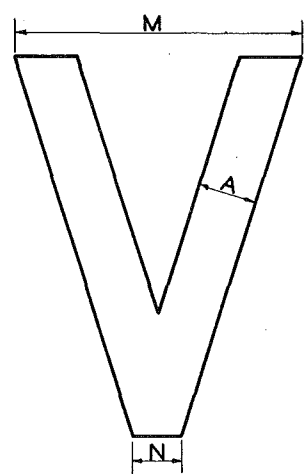
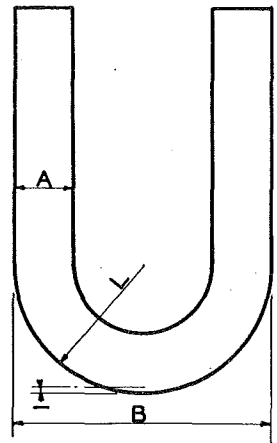
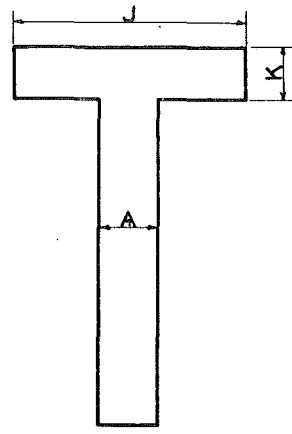
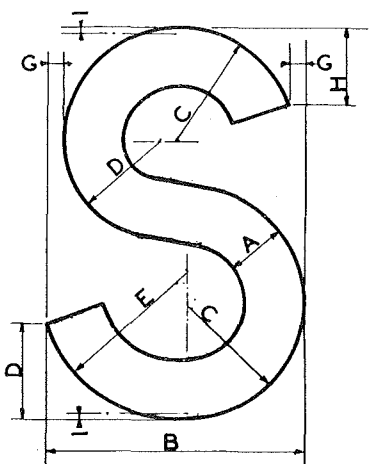
SERIES D LETTERS

| HEIGHT (INCHES) | DIMENSIONS (INCHES) | | | | | | | | | | | | | | | |
|--------------------|---------------------|------------------|----|------------------|------------------|----------------|------------------|-----------------|------------------|-----------------|-----------------|------------------|------------------|----------------|------------------|-------------------|
| | A | B | C | D | E | F | G | H | I | J | K | L | M | N | O | P |
| 2 | $\frac{5}{16}$ | $1\frac{11}{32}$ | 2 | $\frac{41}{64}$ | $\frac{7}{16}$ | $\frac{3}{32}$ | $\frac{21}{32}$ | $\frac{7}{8}$ | $\frac{19}{64}$ | $\frac{23}{64}$ | $\frac{1}{4}$ | $\frac{11}{16}$ | $\frac{25}{32}$ | $\frac{3}{64}$ | $1\frac{3}{8}$ | $\frac{17}{32}$ |
| 3 | $\frac{15}{32}$ | $2\frac{1}{64}$ | 3 | $\frac{61}{64}$ | $\frac{21}{32}$ | $\frac{3}{64}$ | $\frac{63}{64}$ | $1\frac{5}{16}$ | $\frac{7}{16}$ | $\frac{17}{32}$ | $1\frac{7}{8}$ | $1\frac{1}{32}$ | $1\frac{11}{64}$ | $\frac{1}{16}$ | $2\frac{1}{16}$ | $1\frac{33}{64}$ |
| 4 | $\frac{5}{8}$ | $2\frac{11}{16}$ | 4 | $\frac{19}{32}$ | $\frac{7}{8}$ | $\frac{1}{16}$ | $1\frac{5}{16}$ | $1\frac{3}{4}$ | $\frac{19}{32}$ | $\frac{23}{32}$ | $2\frac{1}{2}$ | $1\frac{3}{8}$ | $1\frac{9}{16}$ | $\frac{3}{32}$ | $2\frac{3}{4}$ | $2\frac{7}{16}$ |
| 5 | $\frac{25}{32}$ | $3\frac{23}{64}$ | 5 | $\frac{19}{32}$ | $1\frac{3}{32}$ | $\frac{5}{64}$ | $1\frac{41}{64}$ | $2\frac{3}{16}$ | $\frac{47}{64}$ | $\frac{57}{64}$ | $3\frac{1}{8}$ | $1\frac{23}{32}$ | $1\frac{61}{64}$ | $\frac{7}{64}$ | $3\frac{7}{16}$ | $3\frac{3}{64}$ |
| 6 | $\frac{15}{16}$ | $4\frac{1}{32}$ | 6 | $1\frac{59}{64}$ | $1\frac{1}{8}$ | $\frac{3}{32}$ | $1\frac{31}{32}$ | $2\frac{5}{8}$ | $\frac{57}{64}$ | $1\frac{5}{64}$ | $3\frac{3}{4}$ | $2\frac{1}{16}$ | $2\frac{11}{32}$ | $\frac{9}{64}$ | $4\frac{1}{8}$ | $3\frac{21}{32}$ |
| 7 | $1\frac{3}{32}$ | $4\frac{45}{64}$ | 7 | $2\frac{15}{64}$ | $1\frac{17}{32}$ | $\frac{7}{64}$ | $2\frac{19}{64}$ | $3\frac{1}{16}$ | $1\frac{1}{32}$ | $1\frac{1}{4}$ | $4\frac{3}{8}$ | $2\frac{13}{32}$ | $2\frac{27}{64}$ | $\frac{5}{32}$ | $4\frac{13}{16}$ | $4\frac{17}{64}$ |
| 8 | $1\frac{1}{4}$ | $5\frac{3}{8}$ | 8 | $2\frac{9}{16}$ | $1\frac{3}{4}$ | $\frac{1}{8}$ | $2\frac{5}{8}$ | $3\frac{1}{2}$ | $1\frac{3}{16}$ | $1\frac{7}{16}$ | 5 | $2\frac{3}{4}$ | $3\frac{1}{8}$ | $\frac{3}{16}$ | $5\frac{1}{2}$ | $4\frac{7}{8}$ |
| 12 | $1\frac{7}{8}$ | $8\frac{1}{16}$ | 12 | $3\frac{27}{32}$ | $2\frac{5}{8}$ | $\frac{3}{16}$ | $3\frac{15}{16}$ | $5\frac{1}{4}$ | $1\frac{25}{32}$ | $2\frac{5}{32}$ | $7\frac{1}{2}$ | $4\frac{1}{8}$ | $4\frac{11}{16}$ | $\frac{9}{32}$ | $8\frac{1}{4}$ | $7\frac{5}{16}$ |
| 18 | $2\frac{13}{16}$ | $12\frac{3}{32}$ | 18 | $5\frac{3}{4}$ | $3\frac{15}{16}$ | $\frac{9}{32}$ | $5\frac{29}{32}$ | $7\frac{7}{8}$ | $2\frac{11}{16}$ | $3\frac{1}{4}$ | $11\frac{1}{4}$ | $6\frac{3}{16}$ | $7\frac{1}{32}$ | $\frac{7}{16}$ | $12\frac{3}{8}$ | $10\frac{31}{32}$ |



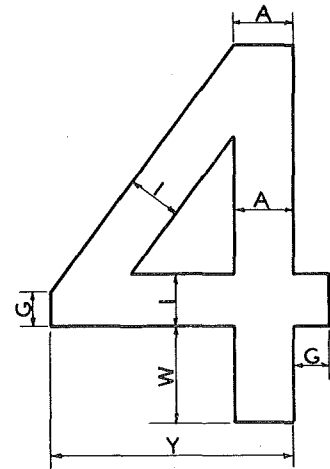
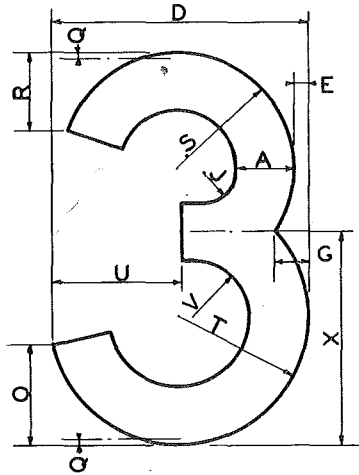
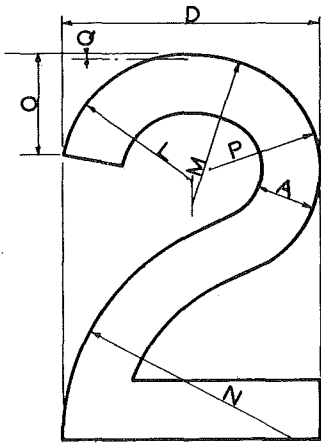
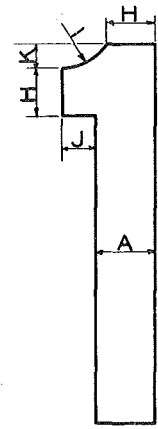
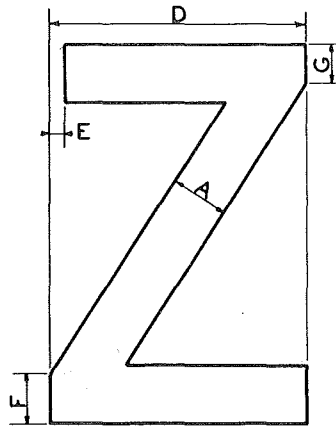
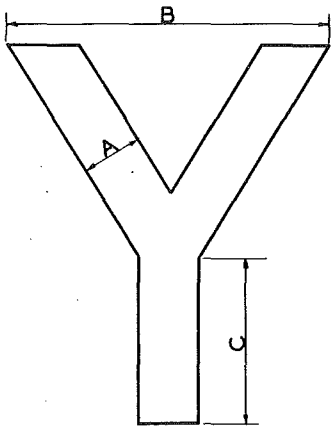
SERIES D LETTERS

| HEIGHT (INCHES) | DIMENSIONS (INCHES) | | | | | | | | | | | | | | | |
|--------------------|---------------------|-------------------|-------------------|------------------|------------------|------------------|------------------|----|----------------|-----------------|------------------|-------------------|------------------|------------------|-----------------|------------------|
| | A | B | C | D | E | F | G | H | I | J | K | L | M | N | O | P |
| 2 | $\frac{5}{16}$ | $1\frac{35}{64}$ | $\frac{5}{32}$ | $\frac{43}{64}$ | $1\frac{11}{32}$ | $\frac{9}{32}$ | $\frac{41}{64}$ | 2 | $\frac{1}{32}$ | $\frac{7}{8}$ | $\frac{9}{16}$ | $1\frac{13}{32}$ | $\frac{9}{16}$ | $\frac{5}{32}$ | $\frac{3}{32}$ | $1\frac{11}{32}$ |
| 3 | $\frac{15}{32}$ | $2\frac{5}{16}$ | $\frac{47}{64}$ | 1 | $2\frac{1}{64}$ | $\frac{27}{64}$ | $\frac{61}{64}$ | 3 | $\frac{3}{64}$ | $1\frac{5}{16}$ | $\frac{27}{32}$ | $2\frac{7}{64}$ | $\frac{27}{32}$ | $\frac{15}{64}$ | $\frac{9}{64}$ | $3\frac{3}{64}$ |
| 4 | $\frac{5}{8}$ | $3\frac{3}{32}$ | $2\frac{5}{16}$ | $1\frac{11}{32}$ | $2\frac{11}{16}$ | $\frac{9}{16}$ | $1\frac{9}{32}$ | 4 | $\frac{1}{16}$ | $1\frac{3}{4}$ | $1\frac{1}{8}$ | $2\frac{13}{16}$ | $1\frac{1}{8}$ | $\frac{5}{16}$ | $\frac{3}{16}$ | $1\frac{11}{16}$ |
| 5 | $\frac{25}{32}$ | $3\frac{23}{64}$ | $2\frac{27}{64}$ | $1\frac{23}{64}$ | $3\frac{23}{64}$ | $\frac{45}{64}$ | $1\frac{19}{32}$ | 5 | $\frac{5}{64}$ | $2\frac{3}{16}$ | $1\frac{13}{32}$ | $3\frac{1}{2}$ | $1\frac{13}{32}$ | $\frac{25}{64}$ | $\frac{15}{64}$ | $\frac{55}{64}$ |
| 6 | $\frac{15}{16}$ | $4\frac{11}{64}$ | $3\frac{15}{32}$ | $2\frac{1}{64}$ | $4\frac{1}{32}$ | $\frac{27}{32}$ | $1\frac{59}{64}$ | 6 | $\frac{3}{32}$ | $2\frac{5}{8}$ | $1\frac{11}{16}$ | $4\frac{7}{32}$ | $1\frac{11}{16}$ | $\frac{15}{32}$ | $\frac{9}{32}$ | $1\frac{1}{32}$ |
| 7 | $1\frac{3}{32}$ | $5\frac{13}{64}$ | $4\frac{3}{64}$ | $2\frac{11}{32}$ | $4\frac{45}{64}$ | $\frac{63}{64}$ | $2\frac{15}{64}$ | 7 | $\frac{7}{64}$ | $3\frac{1}{16}$ | $1\frac{31}{32}$ | $4\frac{59}{64}$ | $1\frac{31}{32}$ | $\frac{35}{64}$ | $\frac{21}{64}$ | $1\frac{13}{64}$ |
| 8 | $1\frac{1}{4}$ | $6\frac{1}{16}$ | $4\frac{5}{8}$ | $2\frac{11}{16}$ | $5\frac{3}{8}$ | $1\frac{1}{8}$ | $2\frac{9}{16}$ | 8 | $\frac{1}{8}$ | $3\frac{1}{2}$ | $2\frac{1}{4}$ | $5\frac{5}{8}$ | $2\frac{1}{4}$ | $\frac{5}{8}$ | $\frac{3}{8}$ | $1\frac{3}{8}$ |
| 12 | $1\frac{7}{8}$ | $9\frac{9}{32}$ | $6\frac{15}{16}$ | $4\frac{1}{32}$ | $8\frac{1}{16}$ | $1\frac{11}{16}$ | $3\frac{27}{32}$ | 12 | $\frac{3}{16}$ | $5\frac{1}{4}$ | $3\frac{3}{8}$ | $8\frac{7}{16}$ | $3\frac{3}{8}$ | $\frac{15}{16}$ | $\frac{9}{16}$ | $2\frac{1}{16}$ |
| 18 | $2\frac{13}{16}$ | $13\frac{15}{16}$ | $10\frac{13}{32}$ | $6\frac{1}{16}$ | $12\frac{3}{32}$ | $2\frac{17}{32}$ | $5\frac{3}{4}$ | 18 | $\frac{9}{32}$ | $7\frac{7}{8}$ | $5\frac{1}{16}$ | $12\frac{21}{32}$ | $5\frac{1}{16}$ | $1\frac{13}{32}$ | $\frac{27}{32}$ | $3\frac{3}{32}$ |



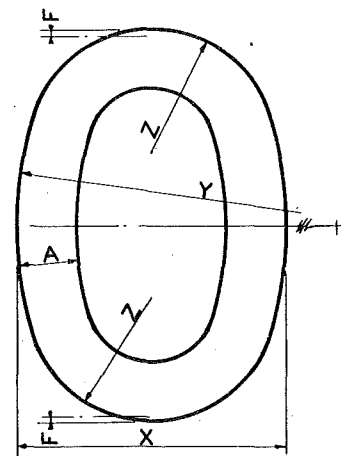
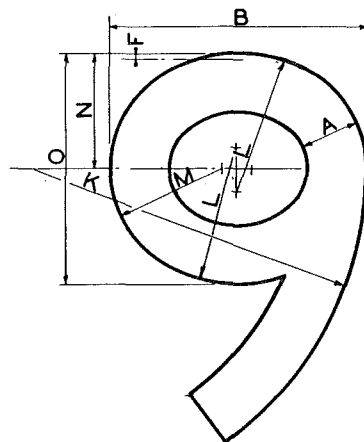
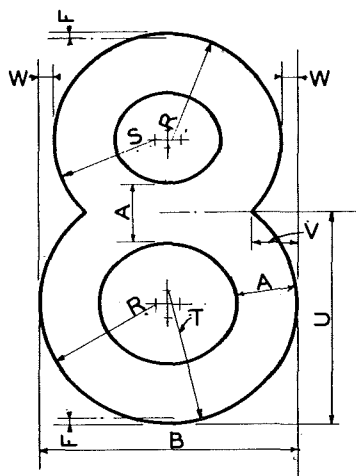
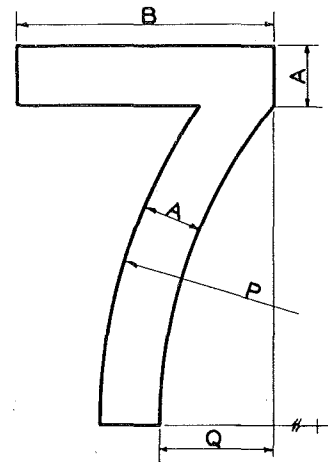
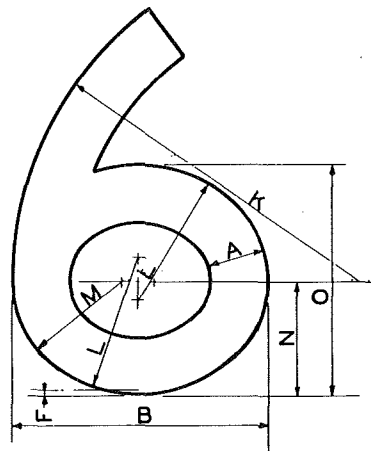
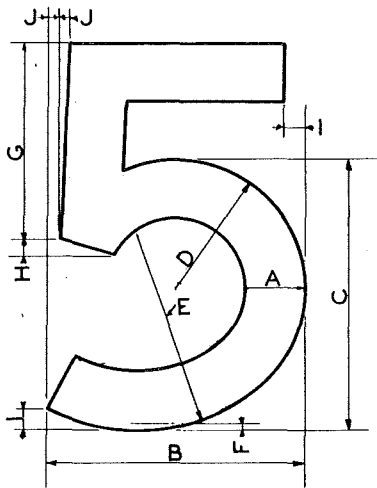
SERIES D LETTERS

| HEIGHT (INCHES) | DIMENSIONS (INCHES) | | | | | | | | | | | | | | | |
|--------------------|---------------------|------------------|------------------|----------------|------------------|-----------------|-----------------|------------------|----------------|-------------------|------------------|------------------|-----------------|----------------|-----------------|-------------------|
| | A | B | C | D | E | F | G | H | I | J | K | L | M | N | O | P |
| 2 | $\frac{5}{16}$ | $\frac{11}{32}$ | $\frac{39}{64}$ | $\frac{1}{2}$ | $\frac{25}{32}$ | $\frac{5}{8}$ | $\frac{5}{64}$ | $\frac{13}{32}$ | $\frac{1}{32}$ | $\frac{7}{32}$ | $\frac{9}{32}$ | $\frac{43}{64}$ | $\frac{1}{2}$ | $\frac{1}{4}$ | $1\frac{1}{4}$ | $1\frac{9}{32}$ |
| 3 | $\frac{15}{32}$ | $2\frac{1}{64}$ | $\frac{62}{32}$ | $\frac{3}{4}$ | $1\frac{1}{64}$ | $\frac{15}{16}$ | $\frac{7}{64}$ | $\frac{23}{64}$ | $\frac{3}{64}$ | $1\frac{23}{64}$ | $\frac{27}{64}$ | 1 | $2\frac{1}{4}$ | $\frac{3}{8}$ | $2\frac{5}{8}$ | $1\frac{59}{64}$ |
| 4 | $\frac{5}{8}$ | $2\frac{11}{16}$ | $1\frac{7}{32}$ | 1 | $1\frac{3}{16}$ | $1\frac{1}{4}$ | $\frac{5}{32}$ | $\frac{13}{16}$ | $\frac{1}{16}$ | $2\frac{7}{16}$ | $\frac{9}{16}$ | $1\frac{11}{32}$ | 3 | $\frac{1}{2}$ | $3\frac{1}{2}$ | $2\frac{9}{16}$ |
| 5 | $\frac{25}{32}$ | $3\frac{23}{64}$ | $1\frac{33}{64}$ | $1\frac{1}{4}$ | $1\frac{9}{64}$ | $1\frac{9}{16}$ | $\frac{3}{16}$ | $1\frac{1}{64}$ | $\frac{5}{64}$ | $3\frac{3}{64}$ | $\frac{45}{64}$ | $1\frac{43}{64}$ | $3\frac{3}{4}$ | $\frac{5}{8}$ | $4\frac{3}{8}$ | $3\frac{13}{64}$ |
| 6 | $\frac{15}{16}$ | $4\frac{1}{32}$ | $1\frac{53}{64}$ | $1\frac{1}{2}$ | $2\frac{11}{32}$ | $1\frac{7}{8}$ | $\frac{15}{64}$ | $1\frac{7}{32}$ | $\frac{3}{32}$ | $3\frac{21}{32}$ | $\frac{27}{32}$ | $2\frac{1}{64}$ | $4\frac{1}{2}$ | $\frac{3}{4}$ | $5\frac{1}{4}$ | $3\frac{27}{32}$ |
| 7 | $1\frac{3}{32}$ | $4\frac{23}{64}$ | $2\frac{1}{8}$ | $1\frac{3}{4}$ | $2\frac{27}{64}$ | $2\frac{3}{16}$ | $\frac{17}{64}$ | $1\frac{27}{64}$ | $\frac{7}{64}$ | $4\frac{17}{64}$ | $\frac{23}{64}$ | $2\frac{11}{32}$ | $5\frac{1}{4}$ | $\frac{7}{8}$ | $6\frac{1}{8}$ | $4\frac{21}{64}$ |
| 8 | $1\frac{1}{4}$ | $5\frac{3}{8}$ | $2\frac{7}{16}$ | 2 | $3\frac{1}{8}$ | $2\frac{1}{2}$ | $\frac{5}{16}$ | $1\frac{5}{8}$ | $\frac{1}{8}$ | $4\frac{7}{8}$ | $1\frac{1}{8}$ | $2\frac{11}{16}$ | 6 | 1 | 7 | $5\frac{1}{8}$ |
| 12 | $1\frac{7}{8}$ | $8\frac{1}{16}$ | $3\frac{31}{32}$ | 3 | $4\frac{11}{16}$ | $3\frac{3}{4}$ | $\frac{15}{32}$ | $2\frac{7}{16}$ | $\frac{3}{16}$ | $7\frac{5}{16}$ | $1\frac{11}{16}$ | $4\frac{1}{32}$ | 9 | $1\frac{1}{2}$ | $10\frac{1}{2}$ | $7\frac{11}{16}$ |
| 18 | $2\frac{13}{16}$ | $12\frac{3}{32}$ | $5\frac{1}{2}$ | $4\frac{1}{2}$ | $7\frac{1}{32}$ | $5\frac{5}{8}$ | $\frac{11}{16}$ | $3\frac{21}{32}$ | $\frac{9}{32}$ | $10\frac{31}{32}$ | $2\frac{17}{32}$ | $6\frac{3}{64}$ | $13\frac{1}{2}$ | $2\frac{1}{4}$ | $15\frac{3}{4}$ | $11\frac{17}{32}$ |



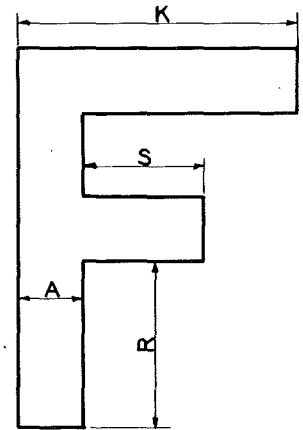
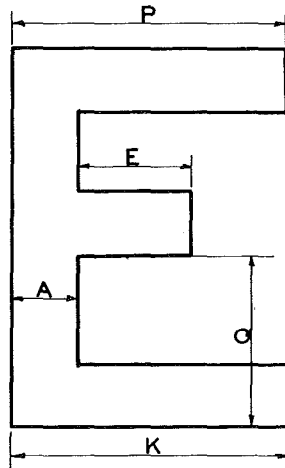
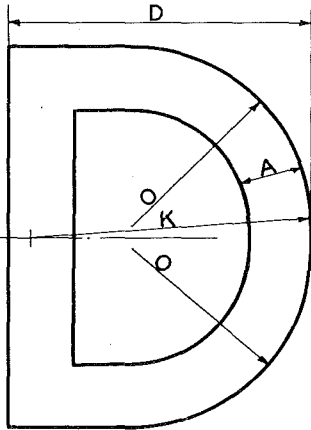
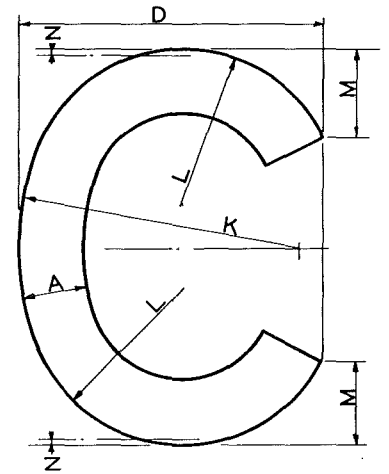
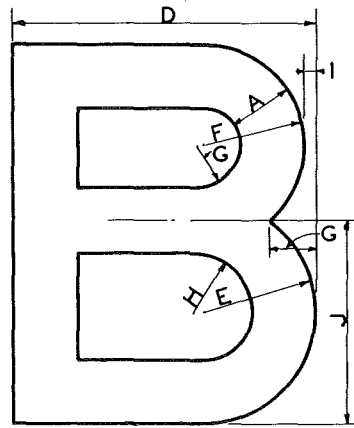
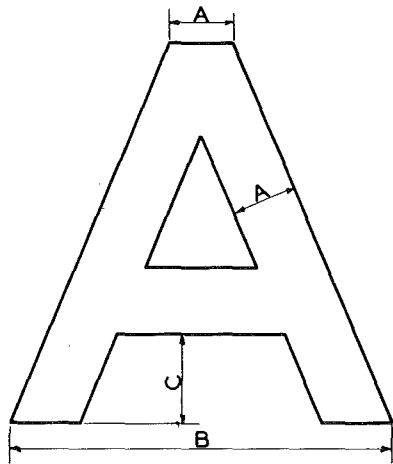
SERIES D LETTERS AND NUMERALS

| HEIGHT (INCHES) | DIMENSIONS (INCHES) | | | | | | | | | | | | | | | | | | | | | | | | | |
|--------------------|---------------------|------------------|-----------------|------------------|-----------------|------------------|-----------------|----------------|------------------|-----------------|----------------|------------------|------------------|-------------------|------------------|------------------|------------------|------------------|------------------|------------------|------------------|------------------|------------------|------------------|-------------------|--|
| | A | B | C | D | E | F | G | H | I | J | K | L | M | N | O | P | Q | R | S | T | U | V | W | X | Y | |
| 2 | $\frac{5}{16}$ | $\frac{11}{16}$ | $\frac{7}{8}$ | $\frac{11}{32}$ | $\frac{5}{64}$ | $\frac{17}{64}$ | $\frac{3}{16}$ | $\frac{1}{4}$ | $\frac{9}{32}$ | $\frac{11}{64}$ | $\frac{1}{8}$ | $\frac{21}{32}$ | $\frac{25}{32}$ | $\frac{17}{32}$ | $\frac{17}{32}$ | $\frac{37}{64}$ | $\frac{1}{32}$ | $\frac{13}{32}$ | $\frac{39}{64}$ | $\frac{43}{64}$ | $\frac{11}{16}$ | $\frac{19}{64}$ | $\frac{1}{2}$ | $\frac{1}{8}$ | $\frac{19}{32}$ | |
| 3 | $\frac{15}{32}$ | $\frac{27}{32}$ | $\frac{15}{16}$ | $\frac{21}{64}$ | $\frac{7}{64}$ | $\frac{25}{64}$ | $\frac{9}{32}$ | $\frac{3}{8}$ | $\frac{27}{64}$ | $\frac{1}{4}$ | $\frac{3}{16}$ | $\frac{63}{64}$ | $\frac{11}{64}$ | $\frac{153}{64}$ | $\frac{51}{64}$ | $\frac{55}{64}$ | $\frac{3}{64}$ | $\frac{39}{64}$ | $\frac{39}{32}$ | 1 | $\frac{13}{32}$ | $\frac{7}{16}$ | $\frac{3}{4}$ | $\frac{11}{16}$ | $\frac{159}{64}$ | |
| 4 | $\frac{5}{8}$ | $\frac{33}{8}$ | $\frac{3}{4}$ | $\frac{21}{16}$ | $\frac{5}{32}$ | $\frac{17}{32}$ | $\frac{3}{8}$ | $\frac{1}{2}$ | $\frac{9}{16}$ | $\frac{11}{32}$ | $\frac{1}{4}$ | $\frac{15}{16}$ | $\frac{9}{16}$ | $\frac{27}{16}$ | $\frac{1}{16}$ | $\frac{5}{32}$ | $\frac{1}{16}$ | $\frac{13}{16}$ | $\frac{7}{32}$ | $\frac{11}{32}$ | $\frac{3}{8}$ | $\frac{19}{32}$ | 1 | $\frac{21}{16}$ | $\frac{29}{16}$ | |
| 5 | $\frac{25}{32}$ | $\frac{47}{32}$ | $\frac{23}{16}$ | $\frac{363}{64}$ | $\frac{3}{16}$ | $\frac{21}{32}$ | $\frac{15}{32}$ | $\frac{5}{8}$ | $\frac{45}{64}$ | $\frac{27}{64}$ | $\frac{5}{16}$ | $\frac{11}{64}$ | $\frac{181}{64}$ | $\frac{33}{64}$ | $\frac{121}{64}$ | $\frac{17}{16}$ | $\frac{9}{64}$ | $\frac{15}{64}$ | $\frac{133}{64}$ | $\frac{123}{32}$ | $\frac{137}{32}$ | $\frac{27}{64}$ | $\frac{1}{4}$ | $\frac{21}{16}$ | $\frac{313}{64}$ | |
| 6 | $\frac{15}{16}$ | $\frac{51}{16}$ | $\frac{23}{8}$ | $\frac{41}{32}$ | $\frac{15}{64}$ | $\frac{51}{64}$ | $\frac{9}{16}$ | $\frac{3}{4}$ | $\frac{27}{32}$ | $\frac{33}{64}$ | $\frac{3}{8}$ | $\frac{131}{32}$ | $\frac{211}{32}$ | $\frac{321}{32}$ | $\frac{119}{32}$ | $\frac{17}{64}$ | $\frac{3}{32}$ | $\frac{17}{32}$ | $\frac{153}{64}$ | $\frac{21}{64}$ | $\frac{21}{16}$ | $\frac{27}{64}$ | $\frac{1}{2}$ | $\frac{33}{8}$ | $\frac{327}{32}$ | |
| 7 | $\frac{3}{32}$ | $\frac{529}{32}$ | $\frac{31}{16}$ | $\frac{445}{64}$ | $\frac{17}{64}$ | $\frac{59}{64}$ | $\frac{21}{32}$ | $\frac{7}{8}$ | $\frac{63}{64}$ | $\frac{19}{32}$ | $\frac{7}{16}$ | $\frac{219}{64}$ | $\frac{247}{64}$ | $\frac{417}{64}$ | $\frac{155}{64}$ | $\frac{7}{64}$ | $\frac{127}{64}$ | $\frac{21}{8}$ | $\frac{211}{32}$ | $\frac{213}{32}$ | $\frac{11}{32}$ | $\frac{13}{4}$ | $\frac{315}{16}$ | $\frac{431}{64}$ | | |
| 8 | $\frac{1}{4}$ | $\frac{63}{4}$ | $\frac{31}{2}$ | $\frac{53}{32}$ | $\frac{5}{16}$ | $\frac{11}{16}$ | $\frac{3}{4}$ | 1 | $\frac{11}{8}$ | $\frac{11}{16}$ | $\frac{1}{2}$ | $\frac{25}{8}$ | $\frac{31}{8}$ | $\frac{47}{8}$ | $\frac{21}{8}$ | $\frac{25}{16}$ | $\frac{1}{8}$ | $\frac{15}{8}$ | $\frac{27}{16}$ | $\frac{21}{16}$ | $\frac{23}{8}$ | $\frac{13}{16}$ | 2 | $\frac{41}{2}$ | $\frac{51}{8}$ | |
| 12 | $\frac{7}{8}$ | $\frac{107}{8}$ | $\frac{51}{4}$ | $\frac{81}{16}$ | $\frac{13}{32}$ | $\frac{113}{32}$ | $\frac{1}{8}$ | $\frac{11}{2}$ | $\frac{111}{16}$ | $\frac{13}{32}$ | $\frac{3}{4}$ | $\frac{313}{16}$ | $\frac{411}{16}$ | $\frac{73}{8}$ | $\frac{37}{8}$ | $\frac{313}{16}$ | $\frac{3}{8}$ | $\frac{27}{16}$ | $\frac{331}{16}$ | $\frac{43}{8}$ | $\frac{47}{8}$ | $\frac{137}{16}$ | 3 | $\frac{63}{8}$ | $\frac{711}{16}$ | |
| 18 | $\frac{213}{16}$ | $\frac{153}{16}$ | $\frac{77}{8}$ | $\frac{123}{32}$ | $\frac{11}{16}$ | $\frac{23}{8}$ | $\frac{11}{16}$ | $\frac{21}{4}$ | $\frac{217}{32}$ | $\frac{19}{16}$ | $\frac{1}{8}$ | $\frac{529}{32}$ | $\frac{71}{32}$ | $\frac{1031}{32}$ | $\frac{425}{32}$ | $\frac{53}{16}$ | $\frac{9}{32}$ | $\frac{321}{32}$ | $\frac{51}{2}$ | $\frac{61}{16}$ | $\frac{63}{16}$ | $\frac{211}{16}$ | $\frac{41}{2}$ | $\frac{101}{8}$ | $\frac{1117}{32}$ | |



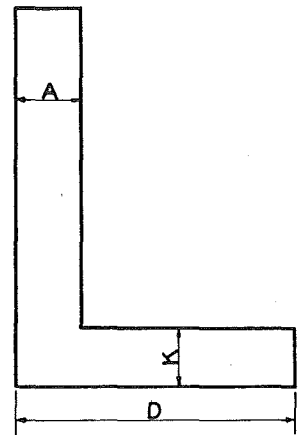
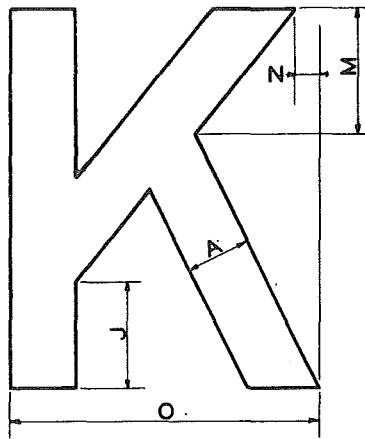
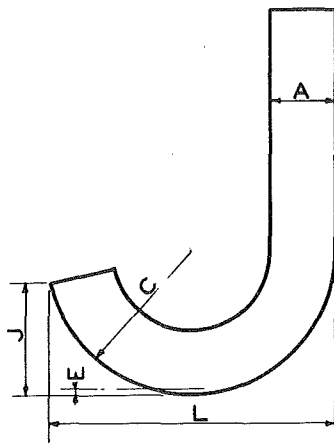
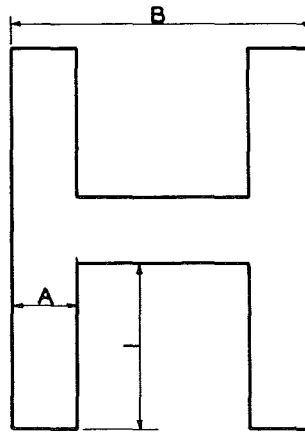
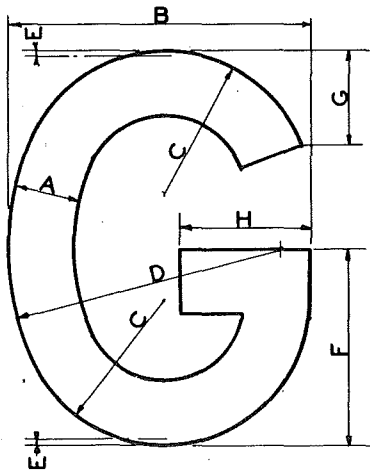
SERIES D NUMERALS

| HEIGHT (INCHES) | DIMENSIONS (INCHES) | | | | | | | | | | | | | | | | | | | | | | | | | |
|--------------------|---------------------|------------------|-------------------|------------------|------------------|----------------|------------------|-----------------|-----------------|------------------|-------------------|------------------|------------------|------------------|-------------------|-----------------|------------------|------------------|------------------|------------------|------------------|------------------|-----------------|-------------------|-----------------|------------------|
| | A | B | C | D | E | F | G | H | I | J | K | L | M | N | O | P | Q | R | S | T | U | V | W | X | Y | Z |
| 2 | $\frac{5}{16}$ | $\frac{11}{32}$ | $\frac{1}{16}$ | $\frac{43}{64}$ | $\frac{1}{64}$ | $\frac{1}{32}$ | $\frac{1}{32}$ | $\frac{7}{64}$ | $\frac{3}{64}$ | $\frac{129}{64}$ | $\frac{29}{32}$ | $\frac{27}{64}$ | $\frac{29}{64}$ | $\frac{17}{32}$ | 3 | $\frac{19}{32}$ | $\frac{29}{64}$ | $\frac{23}{64}$ | $\frac{11}{16}$ | $\frac{1}{8}$ | $\frac{15}{64}$ | $\frac{5}{64}$ | $\frac{13}{32}$ | 2 | $\frac{21}{64}$ | |
| 3 | $\frac{15}{32}$ | $2\frac{1}{64}$ | $2\frac{5}{32}$ | 1 | $\frac{133}{64}$ | $\frac{3}{64}$ | $\frac{135}{64}$ | $\frac{9}{64}$ | $\frac{5}{32}$ | $\frac{1}{16}$ | $2\frac{23}{64}$ | $\frac{1}{64}$ | $\frac{25}{64}$ | $\frac{29}{32}$ | $\frac{153}{64}$ | $4\frac{1}{2}$ | $\frac{57}{64}$ | $\frac{29}{32}$ | $\frac{49}{64}$ | $\frac{1}{32}$ | $\frac{11}{16}$ | $\frac{11}{32}$ | $\frac{7}{64}$ | $2\frac{7}{64}$ | 3 | $\frac{81}{64}$ |
| 4 | $\frac{5}{8}$ | $2\frac{1}{16}$ | $2\frac{7}{8}$ | $\frac{11}{32}$ | $2\frac{1}{32}$ | $\frac{1}{16}$ | $2\frac{1}{16}$ | $\frac{3}{16}$ | $\frac{7}{32}$ | $\frac{3}{32}$ | $3\frac{9}{16}$ | $\frac{17}{16}$ | $\frac{15}{32}$ | $\frac{17}{32}$ | $2\frac{7}{16}$ | 6 | $\frac{13}{16}$ | $\frac{17}{32}$ | $\frac{1}{32}$ | $\frac{3}{8}$ | $2\frac{1}{4}$ | $\frac{15}{32}$ | $\frac{5}{32}$ | $2\frac{13}{16}$ | 4 | $\frac{19}{32}$ |
| 5 | $\frac{25}{32}$ | $3\frac{23}{64}$ | $3\frac{19}{32}$ | $\frac{143}{64}$ | $2\frac{17}{32}$ | $\frac{5}{64}$ | $2\frac{37}{64}$ | $\frac{15}{64}$ | $\frac{17}{64}$ | $\frac{7}{64}$ | $4\frac{29}{64}$ | $\frac{51}{64}$ | $\frac{17}{16}$ | $\frac{133}{64}$ | $3\frac{3}{64}$ | $7\frac{1}{2}$ | $\frac{31}{64}$ | $\frac{133}{64}$ | $\frac{9}{32}$ | $\frac{133}{64}$ | $2\frac{13}{16}$ | $\frac{37}{64}$ | $\frac{3}{16}$ | $3\frac{1}{2}$ | 5 | $\frac{119}{32}$ |
| 6 | $\frac{15}{16}$ | $4\frac{1}{32}$ | $4\frac{5}{16}$ | $2\frac{1}{64}$ | $3\frac{3}{64}$ | $\frac{3}{32}$ | $3\frac{3}{32}$ | $\frac{9}{32}$ | $\frac{21}{64}$ | $\frac{9}{64}$ | $5\frac{1}{32}$ | $2\frac{5}{32}$ | $\frac{147}{64}$ | $\frac{53}{64}$ | $3\frac{21}{32}$ | 9 | $\frac{25}{32}$ | $\frac{153}{64}$ | $\frac{135}{64}$ | $2\frac{1}{16}$ | $3\frac{3}{8}$ | $\frac{45}{64}$ | $\frac{15}{64}$ | $4\frac{7}{32}$ | 6 | $\frac{159}{64}$ |
| 7 | $1\frac{3}{32}$ | $4\frac{45}{64}$ | $5\frac{1}{32}$ | $2\frac{11}{32}$ | $3\frac{35}{64}$ | $\frac{7}{64}$ | $3\frac{39}{64}$ | $\frac{21}{64}$ | $\frac{3}{8}$ | $\frac{5}{32}$ | $6\frac{15}{64}$ | $2\frac{33}{64}$ | $2\frac{1}{64}$ | $2\frac{1}{8}$ | $4\frac{17}{64}$ | $10\frac{1}{2}$ | $2\frac{5}{64}$ | $2\frac{1}{8}$ | $\frac{51}{64}$ | $2\frac{13}{32}$ | $3\frac{15}{16}$ | $\frac{13}{16}$ | $\frac{17}{64}$ | $4\frac{59}{64}$ | 7 | $2\frac{15}{64}$ |
| 8 | $1\frac{1}{4}$ | $5\frac{3}{8}$ | $5\frac{3}{4}$ | $2\frac{1}{16}$ | $4\frac{1}{16}$ | $\frac{1}{8}$ | $4\frac{1}{8}$ | $\frac{3}{8}$ | $\frac{7}{16}$ | $\frac{3}{16}$ | $7\frac{1}{8}$ | $2\frac{7}{8}$ | $2\frac{5}{16}$ | $2\frac{7}{16}$ | $4\frac{7}{8}$ | 12 | $2\frac{3}{8}$ | $2\frac{7}{16}$ | $2\frac{1}{16}$ | $2\frac{3}{4}$ | $4\frac{1}{2}$ | $\frac{15}{16}$ | $\frac{5}{16}$ | $5\frac{5}{8}$ | 8 | $2\frac{9}{16}$ |
| 12 | $1\frac{7}{8}$ | $8\frac{1}{16}$ | $8\frac{5}{8}$ | $4\frac{3}{32}$ | $6\frac{3}{32}$ | $\frac{3}{16}$ | $6\frac{3}{16}$ | $\frac{9}{16}$ | $\frac{21}{32}$ | $\frac{9}{32}$ | $10\frac{11}{16}$ | $4\frac{5}{16}$ | $3\frac{15}{32}$ | $3\frac{21}{32}$ | $7\frac{5}{16}$ | 18 | $3\frac{9}{16}$ | $3\frac{21}{32}$ | $3\frac{3}{32}$ | $4\frac{1}{8}$ | $6\frac{3}{4}$ | $\frac{113}{32}$ | $\frac{15}{32}$ | $8\frac{7}{16}$ | 12 | $3\frac{27}{32}$ |
| 18 | $2\frac{13}{16}$ | $12\frac{3}{32}$ | $12\frac{15}{16}$ | $8\frac{1}{16}$ | $9\frac{5}{32}$ | $\frac{9}{32}$ | $9\frac{9}{32}$ | $\frac{27}{32}$ | 1 | $\frac{7}{16}$ | $16\frac{1}{32}$ | $6\frac{15}{32}$ | $5\frac{3}{16}$ | $5\frac{15}{32}$ | $10\frac{31}{32}$ | 27 | $5\frac{11}{32}$ | $5\frac{1}{2}$ | $4\frac{5}{8}$ | $6\frac{3}{16}$ | $10\frac{1}{8}$ | $2\frac{1}{6}$ | $\frac{11}{16}$ | $12\frac{21}{32}$ | 18 | $5\frac{3}{4}$ |



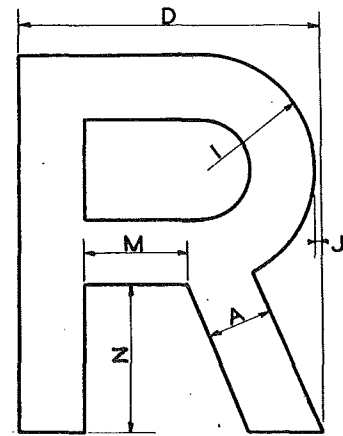
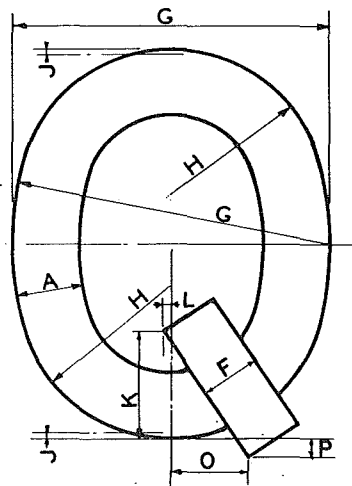
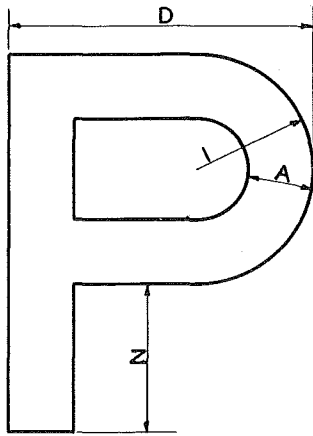
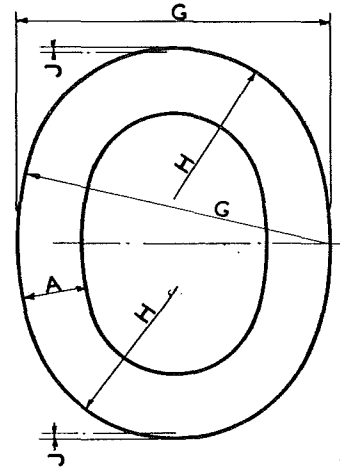
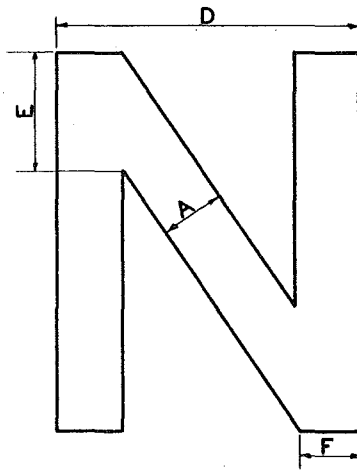
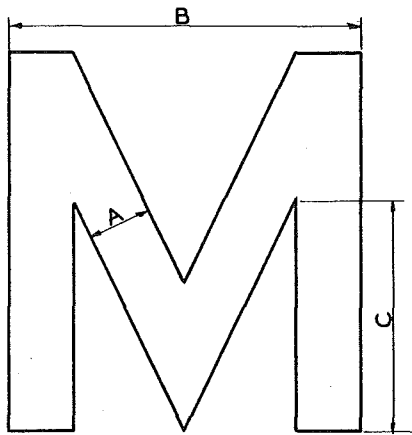
SERIES E LETTERS

| HEIGHT (INCHES) | DIMENSIONS (INCHES) | | | | | | | | | | | | | | | | | | |
|--------------------|---------------------|----|------------------|-------------------|------------------|------------------|----------------|------------------|----------------|------------------|------------------|------------------|------------------|----------------|-------------------|-------------------|------------------|-----------------|-----------------|
| | A | B | C | D | E | F | G | H | I | J | K | L | M | N | O | P | Q | R | S |
| 2 | $\frac{11}{32}$ | 2 | $\frac{15}{32}$ | $\frac{19}{32}$ | $\frac{19}{32}$ | $\frac{17}{32}$ | $\frac{1}{4}$ | $\frac{5}{16}$ | $\frac{1}{16}$ | $\frac{1}{16}$ | $\frac{15}{32}$ | $\frac{53}{64}$ | $\frac{7}{16}$ | $\frac{1}{32}$ | $\frac{15}{16}$ | $\frac{7}{16}$ | $\frac{29}{32}$ | $\frac{7}{8}$ | $\frac{5}{8}$ |
| 3 | $\frac{33}{64}$ | 3 | $\frac{45}{64}$ | $\frac{25}{64}$ | $\frac{57}{64}$ | $\frac{51}{64}$ | $\frac{3}{8}$ | $\frac{15}{32}$ | $\frac{3}{32}$ | $\frac{19}{32}$ | $\frac{213}{64}$ | $\frac{15}{64}$ | $\frac{21}{32}$ | $\frac{3}{64}$ | $\frac{13}{32}$ | $\frac{25}{32}$ | $\frac{23}{64}$ | $\frac{15}{16}$ | $\frac{15}{16}$ |
| 4 | $\frac{11}{16}$ | 4 | $\frac{15}{16}$ | $3\frac{3}{16}$ | $\frac{3}{16}$ | $\frac{1}{16}$ | $\frac{1}{2}$ | $\frac{5}{8}$ | $\frac{1}{8}$ | $2\frac{1}{8}$ | $2\frac{15}{16}$ | $\frac{21}{52}$ | $\frac{7}{8}$ | $\frac{1}{16}$ | $\frac{7}{8}$ | $2\frac{7}{8}$ | $\frac{13}{16}$ | $\frac{3}{4}$ | $\frac{1}{4}$ |
| 5 | $\frac{55}{64}$ | 5 | $\frac{11}{64}$ | $3\frac{63}{64}$ | $\frac{31}{64}$ | $\frac{21}{64}$ | $\frac{5}{8}$ | $\frac{25}{32}$ | $\frac{5}{32}$ | $2\frac{21}{32}$ | $3\frac{43}{64}$ | $2\frac{1}{16}$ | $\frac{3}{32}$ | $\frac{5}{64}$ | $\frac{211}{352}$ | $3\frac{19}{64}$ | $2\frac{3}{64}$ | $2\frac{3}{16}$ | $1\frac{9}{16}$ |
| 6 | $\frac{1}{32}$ | 6 | $\frac{13}{32}$ | $4\frac{25}{32}$ | $\frac{125}{32}$ | $\frac{19}{32}$ | $\frac{3}{4}$ | $\frac{15}{16}$ | $\frac{3}{16}$ | $3\frac{3}{16}$ | $4\frac{13}{32}$ | $2\frac{31}{64}$ | $\frac{5}{16}$ | $\frac{3}{32}$ | $2\frac{13}{16}$ | $4\frac{5}{16}$ | $2\frac{23}{32}$ | $2\frac{5}{8}$ | $1\frac{7}{8}$ |
| 7 | $\frac{13}{64}$ | 7 | $\frac{41}{64}$ | $5\frac{37}{64}$ | $2\frac{5}{64}$ | $\frac{55}{64}$ | $\frac{7}{8}$ | $\frac{13}{32}$ | $\frac{7}{32}$ | $3\frac{23}{32}$ | $5\frac{9}{64}$ | $2\frac{57}{64}$ | $\frac{17}{32}$ | $\frac{7}{64}$ | $3\frac{9}{32}$ | $5\frac{1}{32}$ | $3\frac{11}{64}$ | $3\frac{1}{16}$ | $2\frac{3}{16}$ |
| 8 | $1\frac{3}{8}$ | 8 | $\frac{7}{8}$ | $6\frac{3}{8}$ | $2\frac{3}{8}$ | $2\frac{1}{8}$ | 1 | $\frac{1}{4}$ | $\frac{1}{4}$ | $4\frac{1}{4}$ | $5\frac{7}{8}$ | $3\frac{5}{16}$ | $\frac{3}{4}$ | $\frac{1}{8}$ | $3\frac{3}{4}$ | $5\frac{3}{4}$ | $3\frac{5}{8}$ | $3\frac{1}{2}$ | $2\frac{1}{2}$ |
| 12 | $2\frac{1}{16}$ | 12 | $2\frac{13}{16}$ | $9\frac{9}{16}$ | $3\frac{9}{16}$ | $3\frac{3}{16}$ | $1\frac{1}{2}$ | $\frac{17}{8}$ | $\frac{3}{8}$ | $6\frac{3}{8}$ | $8\frac{13}{16}$ | $4\frac{31}{32}$ | $2\frac{5}{8}$ | $\frac{3}{16}$ | $5\frac{5}{8}$ | $8\frac{5}{8}$ | $5\frac{7}{16}$ | $5\frac{1}{4}$ | $3\frac{3}{4}$ |
| 18 | $3\frac{3}{32}$ | 18 | $4\frac{7}{32}$ | $14\frac{11}{32}$ | $5\frac{11}{32}$ | $4\frac{25}{32}$ | $2\frac{1}{4}$ | $2\frac{13}{16}$ | $\frac{9}{16}$ | $9\frac{9}{16}$ | $13\frac{7}{32}$ | $7\frac{29}{64}$ | $3\frac{15}{16}$ | $\frac{9}{32}$ | $8\frac{7}{16}$ | $12\frac{15}{16}$ | $8\frac{5}{32}$ | $7\frac{7}{8}$ | $5\frac{5}{8}$ |



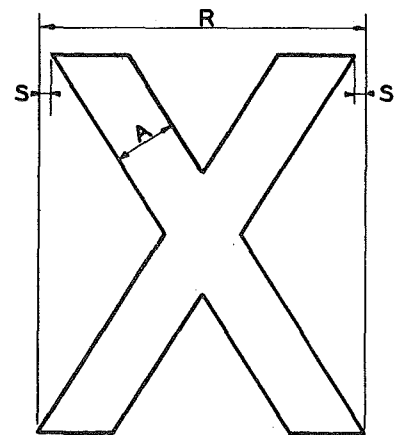
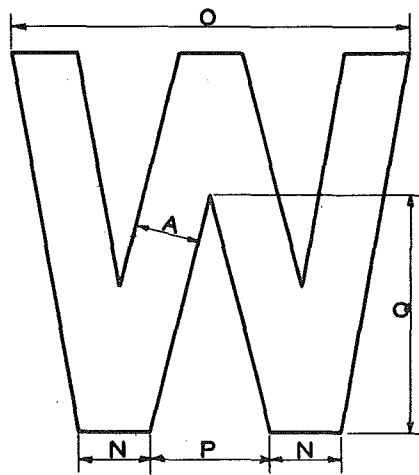
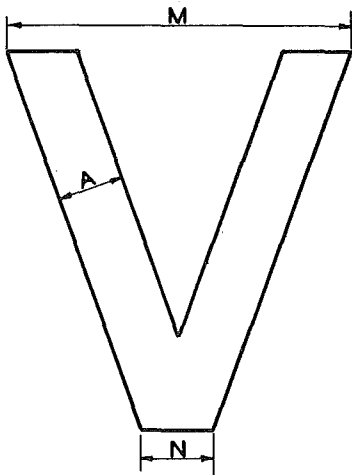
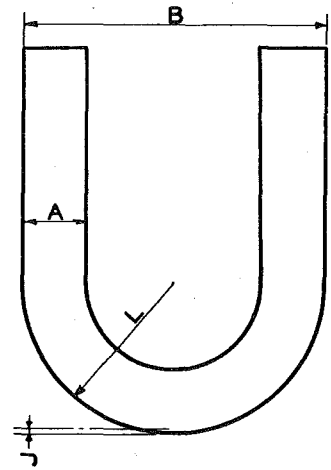
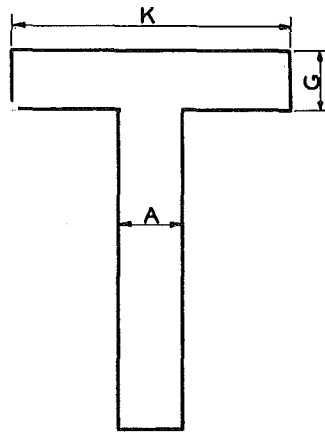
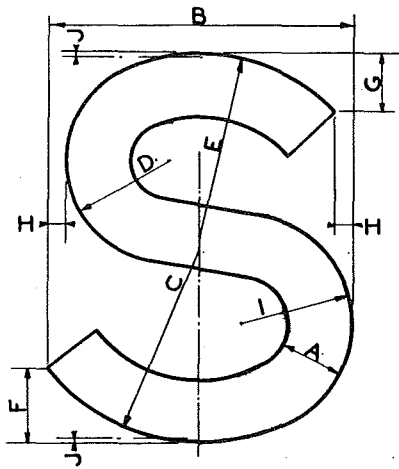
SERIES E LETTERS

| HEIGHT (INCHES) | DIMENSIONS (INCHES) | | | | | | | | | | | | | | |
|--------------------|---------------------|-------------------|------------------|------------------|----------------|------------------|----------------|------------------|-----------------|------------------|------------------|-----------------|------------------|----------------|------------------|
| | A | B | C | D | E | F | G | H | I | J | K | L | M | N | O |
| 2 | $\frac{11}{32}$ | $\frac{19}{64}$ | $\frac{49}{64}$ | $\frac{15}{32}$ | $\frac{3}{2}$ | $\frac{13}{32}$ | $\frac{1}{2}$ | $\frac{11}{16}$ | $\frac{7}{8}$ | $\frac{9}{16}$ | $\frac{5}{16}$ | $1\frac{1}{2}$ | $\frac{31}{32}$ | $\frac{1}{8}$ | $1\frac{3}{8}$ |
| 3 | $\frac{33}{64}$ | $2\frac{25}{64}$ | $1\frac{9}{64}$ | $2\frac{13}{64}$ | $\frac{3}{64}$ | $1\frac{35}{64}$ | $\frac{3}{4}$ | $1\frac{1}{32}$ | $1\frac{5}{16}$ | $\frac{27}{32}$ | $\frac{15}{32}$ | $2\frac{1}{4}$ | $\frac{63}{64}$ | $\frac{3}{16}$ | $2\frac{7}{16}$ |
| 4 | $\frac{11}{16}$ | $3\frac{3}{16}$ | $1\frac{17}{32}$ | $2\frac{15}{16}$ | $\frac{1}{16}$ | $2\frac{15}{16}$ | 1 | $1\frac{3}{8}$ | $1\frac{3}{4}$ | $1\frac{1}{8}$ | $\frac{5}{8}$ | 3 | $1\frac{5}{16}$ | $\frac{1}{4}$ | $3\frac{1}{4}$ |
| 5 | $\frac{55}{64}$ | $3\frac{63}{64}$ | $\frac{29}{32}$ | $3\frac{43}{64}$ | $\frac{5}{64}$ | $2\frac{37}{64}$ | $1\frac{1}{4}$ | $1\frac{53}{64}$ | $2\frac{3}{8}$ | $1\frac{13}{32}$ | $\frac{25}{32}$ | $3\frac{3}{4}$ | $1\frac{31}{64}$ | $\frac{5}{16}$ | $4\frac{1}{16}$ |
| 6 | $1\frac{1}{32}$ | $4\frac{25}{32}$ | $2\frac{19}{64}$ | $4\frac{13}{32}$ | $\frac{3}{32}$ | $3\frac{3}{32}$ | $1\frac{1}{2}$ | $2\frac{1}{16}$ | $2\frac{5}{8}$ | $1\frac{1}{16}$ | $\frac{15}{16}$ | $4\frac{1}{2}$ | $1\frac{31}{32}$ | $\frac{3}{8}$ | $4\frac{7}{8}$ |
| 7 | $1\frac{13}{64}$ | $5\frac{27}{64}$ | $2\frac{23}{64}$ | $5\frac{9}{64}$ | $\frac{7}{64}$ | $3\frac{39}{64}$ | $1\frac{3}{4}$ | $2\frac{13}{32}$ | $3\frac{1}{16}$ | $1\frac{31}{32}$ | $1\frac{3}{32}$ | $5\frac{1}{4}$ | $2\frac{19}{64}$ | $\frac{7}{16}$ | $5\frac{11}{16}$ |
| 8 | $1\frac{3}{8}$ | $6\frac{3}{8}$ | $3\frac{1}{16}$ | $5\frac{7}{8}$ | $\frac{1}{8}$ | $4\frac{1}{8}$ | 2 | $2\frac{3}{4}$ | $3\frac{1}{2}$ | $2\frac{1}{4}$ | $1\frac{1}{4}$ | 6 | $2\frac{5}{8}$ | $\frac{1}{2}$ | $6\frac{1}{2}$ |
| 12 | $2\frac{1}{16}$ | $9\frac{9}{16}$ | $4\frac{19}{32}$ | $8\frac{13}{16}$ | $\frac{3}{16}$ | $6\frac{3}{16}$ | 5 | $4\frac{1}{8}$ | $5\frac{1}{4}$ | $3\frac{3}{8}$ | $1\frac{7}{8}$ | 9 | $3\frac{15}{16}$ | $\frac{3}{4}$ | $9\frac{3}{4}$ |
| 18 | $3\frac{3}{32}$ | $14\frac{11}{32}$ | $6\frac{27}{64}$ | $13\frac{7}{32}$ | $\frac{9}{32}$ | $9\frac{9}{32}$ | $4\frac{1}{2}$ | $6\frac{3}{16}$ | $7\frac{7}{8}$ | $5\frac{1}{16}$ | $2\frac{13}{16}$ | $13\frac{1}{2}$ | $5\frac{29}{32}$ | $1\frac{1}{8}$ | $14\frac{5}{8}$ |



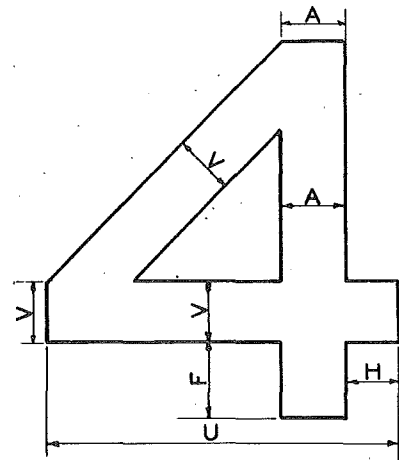
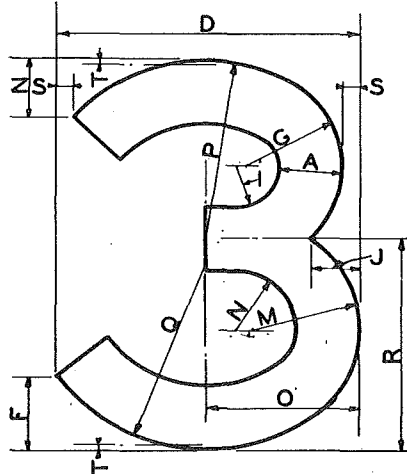
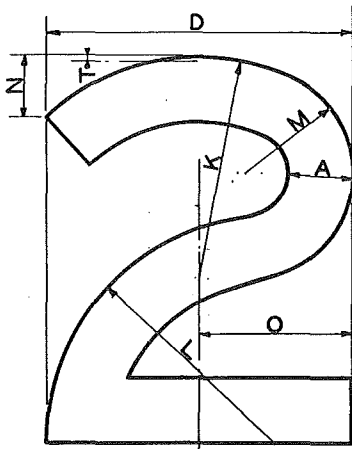
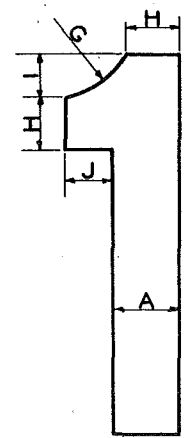
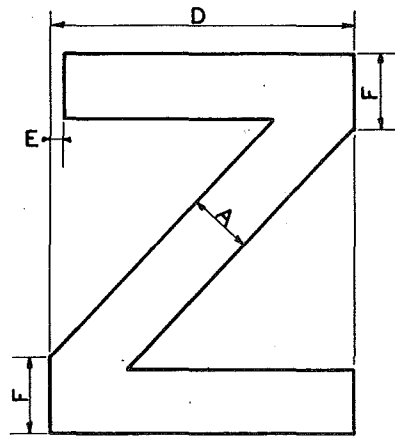
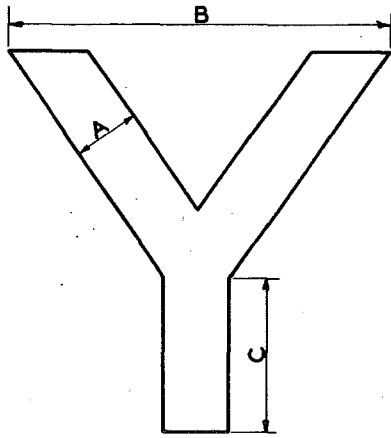
SERIES E LETTERS

| HEIGHT (INCHES) | DIMENSIONS (INCHES) | | | | | | | | | | | | | | | |
|--------------------|---------------------|-------------------|-------------------|-------------------|-----------------|-----------------|-------------------|------------------|------------------|----------------|-----------------|----------------|------------------|------------------|------------------|-----------------|
| | A | B | C | D | E | F | G | H | I | J | K | L | M | N | O | P |
| 2 | $\frac{11}{32}$ | $\frac{127}{64}$ | $\frac{7}{32}$ | $\frac{19}{32}$ | $\frac{5}{8}$ | $\frac{5}{16}$ | $\frac{21}{32}$ | $\frac{21}{64}$ | $\frac{39}{64}$ | $\frac{1}{32}$ | $\frac{9}{16}$ | $\frac{3}{64}$ | $\frac{17}{32}$ | $\frac{25}{32}$ | $\frac{13}{32}$ | $\frac{3}{32}$ |
| 3 | $\frac{33}{64}$ | $2\frac{49}{64}$ | $\frac{133}{64}$ | $2\frac{25}{64}$ | $\frac{15}{16}$ | $\frac{15}{32}$ | $2\frac{31}{64}$ | $\frac{13}{16}$ | $\frac{29}{32}$ | $\frac{3}{64}$ | $\frac{27}{32}$ | $\frac{1}{16}$ | $\frac{51}{64}$ | $\frac{11}{64}$ | $\frac{39}{64}$ | $\frac{9}{64}$ |
| 4 | $\frac{11}{16}$ | $3\frac{11}{16}$ | $2\frac{7}{16}$ | $3\frac{3}{16}$ | $\frac{1}{4}$ | $\frac{5}{8}$ | $3\frac{5}{16}$ | $\frac{19}{32}$ | $\frac{7}{16}$ | $\frac{1}{16}$ | $\frac{1}{8}$ | $\frac{3}{32}$ | $\frac{1}{16}$ | $\frac{9}{16}$ | $\frac{13}{16}$ | $\frac{3}{16}$ |
| 5 | $\frac{55}{64}$ | $4\frac{39}{64}$ | $3\frac{3}{64}$ | $3\frac{63}{64}$ | $\frac{9}{16}$ | $\frac{25}{32}$ | $4\frac{9}{64}$ | $\frac{163}{64}$ | $\frac{33}{64}$ | $\frac{5}{64}$ | $\frac{13}{32}$ | $\frac{7}{64}$ | $\frac{21}{64}$ | $\frac{161}{64}$ | $\frac{1}{64}$ | $\frac{15}{64}$ |
| 6 | $\frac{1}{32}$ | $5\frac{17}{32}$ | $3\frac{21}{32}$ | $4\frac{25}{32}$ | $\frac{7}{8}$ | $\frac{15}{16}$ | $4\frac{31}{32}$ | $2\frac{25}{64}$ | $\frac{53}{64}$ | $\frac{3}{32}$ | $\frac{11}{16}$ | $\frac{9}{64}$ | $\frac{19}{32}$ | $2\frac{11}{32}$ | $\frac{7}{32}$ | $\frac{9}{32}$ |
| 7 | $\frac{13}{64}$ | $6\frac{29}{64}$ | $4\frac{17}{64}$ | $5\frac{21}{64}$ | $2\frac{7}{16}$ | $\frac{1}{32}$ | $5\frac{21}{64}$ | $2\frac{29}{32}$ | $2\frac{1}{8}$ | $\frac{7}{64}$ | $\frac{13}{32}$ | $\frac{5}{32}$ | $\frac{123}{64}$ | $2\frac{17}{64}$ | $\frac{171}{64}$ | $\frac{21}{64}$ |
| 8 | $\frac{3}{8}$ | $7\frac{3}{8}$ | $4\frac{7}{8}$ | $6\frac{3}{8}$ | $2\frac{1}{2}$ | $\frac{1}{4}$ | $6\frac{5}{8}$ | $3\frac{3}{8}$ | $2\frac{7}{16}$ | $\frac{1}{8}$ | $2\frac{1}{4}$ | $\frac{3}{16}$ | $2\frac{1}{8}$ | $3\frac{1}{8}$ | $\frac{5}{8}$ | $\frac{3}{8}$ |
| 12 | $2\frac{1}{16}$ | $11\frac{1}{16}$ | $7\frac{5}{16}$ | $9\frac{9}{16}$ | $3\frac{3}{4}$ | $\frac{7}{8}$ | $9\frac{15}{16}$ | $4\frac{25}{32}$ | $3\frac{21}{32}$ | $\frac{3}{16}$ | $3\frac{3}{8}$ | $\frac{9}{32}$ | $3\frac{3}{16}$ | $4\frac{11}{16}$ | $2\frac{7}{16}$ | $\frac{9}{16}$ |
| 18 | $3\frac{3}{32}$ | $16\frac{19}{32}$ | $10\frac{31}{32}$ | $14\frac{11}{32}$ | $5\frac{5}{8}$ | $2\frac{1}{16}$ | $14\frac{29}{32}$ | $7\frac{11}{64}$ | $5\frac{1}{32}$ | $\frac{9}{32}$ | $5\frac{1}{16}$ | $\frac{7}{16}$ | $4\frac{25}{32}$ | $7\frac{1}{32}$ | $3\frac{21}{32}$ | $\frac{27}{32}$ |



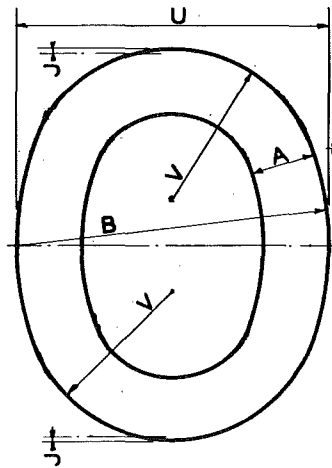
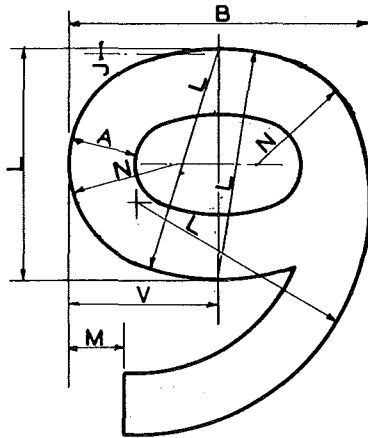
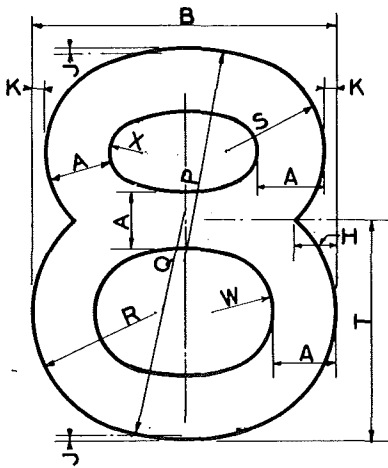
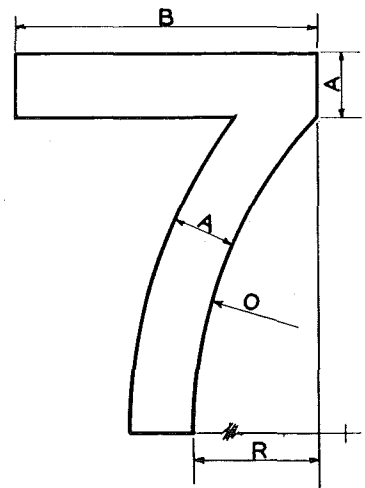
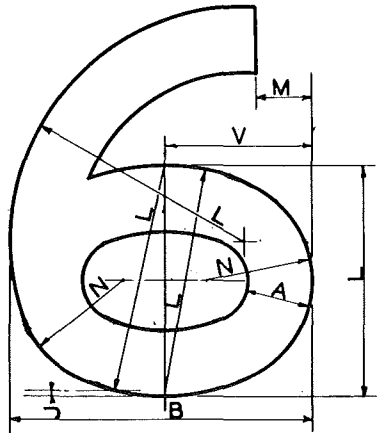
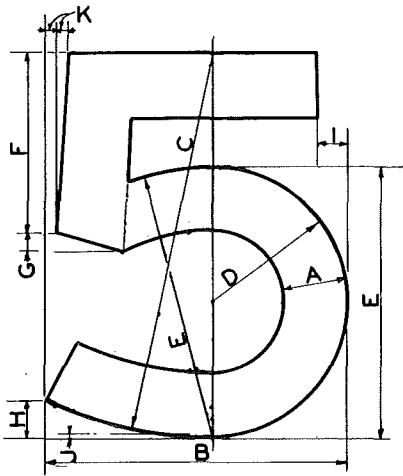
SERIES E LETTERS

| HEIGHT (INCHES) | DIMENSIONS (INCHES) | | | | | | | | | | | | | | | | | | |
|--------------------|---------------------|-------------------|----------------|------------------|------------------|------------------|------------------|-----------------|------------------|----------------|------------------|------------------|------------------|-----------------|-------------------|-----------------|-----------------|-------------------|----------------|
| | A | B | C | D | E | F | G | H | I | J | K | L | M | N | O | P | Q | R | S |
| 2 | $\frac{11}{32}$ | $\frac{19}{32}$ | 1 | $\frac{17}{32}$ | $\frac{31}{32}$ | $\frac{25}{64}$ | $\frac{5}{16}$ | $\frac{3}{32}$ | $\frac{37}{64}$ | $\frac{1}{32}$ | $\frac{15}{32}$ | $\frac{51}{64}$ | $\frac{113}{16}$ | $\frac{3}{8}$ | $2\frac{3}{32}$ | $\frac{5}{8}$ | $1\frac{1}{4}$ | $1\frac{23}{32}$ | $\frac{1}{16}$ |
| 3 | $\frac{33}{64}$ | $2\frac{25}{64}$ | $1\frac{1}{2}$ | $\frac{31}{64}$ | $1\frac{29}{64}$ | $\frac{37}{64}$ | $\frac{15}{32}$ | $\frac{9}{64}$ | $\frac{55}{64}$ | $\frac{3}{64}$ | $2\frac{13}{64}$ | $1\frac{3}{16}$ | $2\frac{23}{32}$ | $\frac{9}{16}$ | $3\frac{9}{64}$ | $\frac{15}{16}$ | $1\frac{7}{8}$ | $2\frac{37}{64}$ | $\frac{3}{32}$ |
| 4 | $\frac{11}{16}$ | $3\frac{3}{16}$ | 2 | $\frac{11}{16}$ | $\frac{15}{16}$ | $\frac{25}{32}$ | $\frac{5}{8}$ | $\frac{3}{16}$ | $\frac{15}{32}$ | $\frac{1}{16}$ | $2\frac{15}{16}$ | $\frac{19}{32}$ | $3\frac{5}{8}$ | $\frac{3}{4}$ | $4\frac{3}{16}$ | $1\frac{1}{4}$ | $2\frac{1}{2}$ | $3\frac{7}{16}$ | $\frac{1}{8}$ |
| 5 | $\frac{55}{64}$ | $3\frac{63}{64}$ | $2\frac{1}{2}$ | $\frac{121}{64}$ | $2\frac{27}{64}$ | $\frac{31}{32}$ | $\frac{25}{32}$ | $\frac{15}{64}$ | $\frac{7}{16}$ | $\frac{5}{64}$ | $3\frac{43}{64}$ | $1\frac{63}{64}$ | $4\frac{17}{32}$ | $\frac{15}{16}$ | $5\frac{15}{64}$ | $\frac{19}{16}$ | $3\frac{1}{8}$ | $4\frac{19}{64}$ | $\frac{5}{32}$ |
| 6 | $1\frac{1}{32}$ | $4\frac{25}{32}$ | 3 | $\frac{19}{32}$ | $2\frac{29}{32}$ | $1\frac{11}{64}$ | $\frac{15}{16}$ | $\frac{9}{32}$ | $1\frac{47}{64}$ | $\frac{3}{32}$ | $4\frac{13}{32}$ | $2\frac{25}{64}$ | $5\frac{7}{16}$ | $1\frac{1}{8}$ | $6\frac{9}{32}$ | $1\frac{7}{8}$ | $3\frac{3}{4}$ | $5\frac{5}{32}$ | $\frac{1}{16}$ |
| 7 | $1\frac{13}{64}$ | $5\frac{37}{64}$ | $3\frac{1}{2}$ | $\frac{55}{64}$ | $3\frac{25}{64}$ | $1\frac{23}{64}$ | $\frac{13}{32}$ | $\frac{21}{64}$ | $2\frac{1}{64}$ | $\frac{7}{64}$ | $5\frac{9}{64}$ | $2\frac{25}{32}$ | $6\frac{11}{32}$ | $1\frac{5}{16}$ | $7\frac{21}{64}$ | $2\frac{3}{16}$ | $4\frac{3}{8}$ | $6\frac{1}{64}$ | $\frac{7}{32}$ |
| 8 | $1\frac{3}{8}$ | $6\frac{3}{8}$ | 4 | $2\frac{1}{8}$ | $3\frac{7}{8}$ | $1\frac{9}{16}$ | $\frac{1}{4}$ | $\frac{3}{8}$ | $2\frac{5}{16}$ | $\frac{1}{8}$ | $5\frac{7}{8}$ | $3\frac{3}{16}$ | $7\frac{1}{4}$ | $1\frac{1}{2}$ | $8\frac{3}{8}$ | $2\frac{1}{2}$ | 5 | $6\frac{7}{8}$ | $\frac{1}{4}$ |
| 12 | $2\frac{1}{16}$ | $9\frac{9}{16}$ | 6 | $3\frac{3}{16}$ | $5\frac{13}{16}$ | $2\frac{11}{32}$ | $\frac{7}{8}$ | $\frac{9}{16}$ | $3\frac{15}{32}$ | $\frac{3}{16}$ | $8\frac{13}{16}$ | $4\frac{25}{32}$ | $10\frac{7}{8}$ | $2\frac{1}{4}$ | $12\frac{9}{16}$ | $3\frac{3}{4}$ | $7\frac{1}{2}$ | $10\frac{5}{16}$ | $\frac{3}{8}$ |
| 18 | $3\frac{3}{32}$ | $14\frac{11}{32}$ | 9 | $4\frac{25}{32}$ | $8\frac{23}{32}$ | $3\frac{1}{2}$ | $2\frac{13}{16}$ | $\frac{27}{32}$ | $5\frac{3}{16}$ | $\frac{9}{32}$ | $13\frac{7}{32}$ | $7\frac{11}{64}$ | $16\frac{9}{16}$ | $3\frac{3}{8}$ | $18\frac{27}{32}$ | $5\frac{5}{8}$ | $11\frac{1}{4}$ | $15\frac{15}{32}$ | $\frac{9}{16}$ |



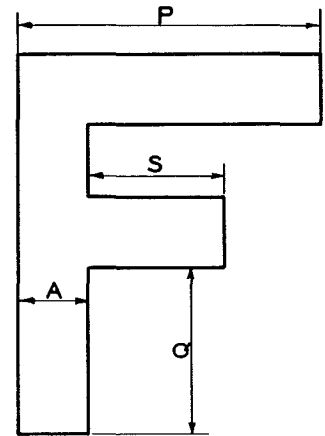
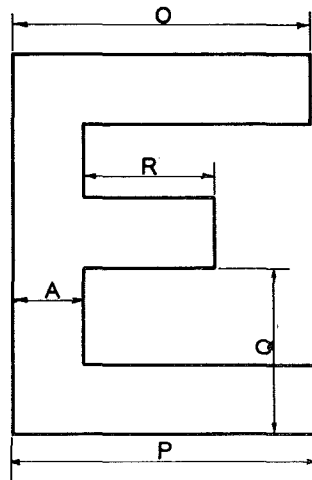
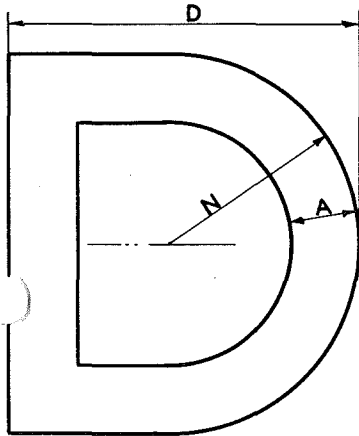
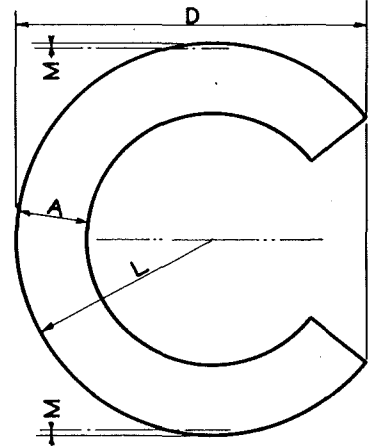
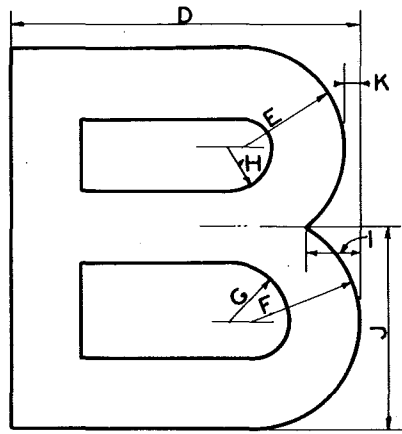
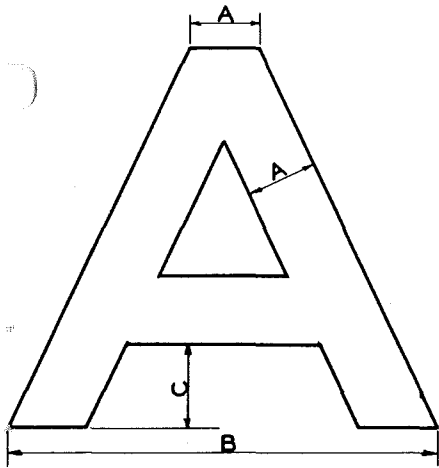
SERIES E LETTERS AND NUMERALS

| HEIGHT (INCHES) | DIMENSIONS (INCHES) | | | | | | | | | | | | | | | | | | | | | |
|--------------------|---------------------|----|------------------|-------------------|----------------|------------------|----------------|------------------|------------------|----------------|-------------------|-------------------|------------------|------------------|------------------|------------------|----------------|------------------|-----------------|----------------|-------------------|------------------|
| | A | B | C | D | E | F | G | H | I | J | K | L | M | N | O | P | Q | R | S | T | U | V |
| 2 | $\frac{11}{32}$ | 2 | $\frac{13}{16}$ | $\frac{19}{32}$ | $\frac{1}{16}$ | $\frac{13}{32}$ | $\frac{1}{2}$ | $\frac{9}{32}$ | $\frac{7}{32}$ | $\frac{1}{4}$ | $\frac{13}{16}$ | $\frac{7}{32}$ | $\frac{9}{16}$ | $\frac{5}{16}$ | $\frac{21}{64}$ | $\frac{15}{16}$ | 1 | $\frac{11}{8}$ | $\frac{3}{32}$ | $\frac{1}{32}$ | $\frac{127}{32}$ | $\frac{21}{64}$ |
| 3 | $\frac{33}{64}$ | 3 | $\frac{17}{32}$ | $\frac{25}{64}$ | $\frac{3}{32}$ | $\frac{39}{64}$ | $\frac{3}{4}$ | $\frac{27}{64}$ | $\frac{21}{64}$ | $\frac{3}{8}$ | $\frac{125}{32}$ | $\frac{53}{64}$ | $\frac{27}{32}$ | $\frac{15}{32}$ | $\frac{13}{16}$ | $\frac{113}{32}$ | $\frac{1}{2}$ | $\frac{11}{16}$ | $\frac{9}{64}$ | $\frac{3}{64}$ | $2\frac{49}{64}$ | $\frac{31}{64}$ |
| 4 | $\frac{11}{16}$ | 4 | $\frac{15}{8}$ | $3\frac{3}{16}$ | $\frac{1}{8}$ | $\frac{13}{16}$ | 1 | $\frac{9}{16}$ | $\frac{7}{16}$ | $\frac{1}{2}$ | $2\frac{3}{8}$ | $2\frac{7}{16}$ | $\frac{1}{8}$ | $\frac{5}{8}$ | $\frac{19}{32}$ | $\frac{17}{8}$ | 2 | $2\frac{1}{4}$ | $\frac{3}{16}$ | $\frac{1}{16}$ | $3\frac{11}{16}$ | $\frac{21}{32}$ |
| 5 | $\frac{55}{64}$ | 5 | $2\frac{1}{32}$ | $3\frac{53}{64}$ | $\frac{5}{32}$ | $\frac{1}{64}$ | $\frac{1}{4}$ | $\frac{45}{64}$ | $\frac{35}{64}$ | $\frac{5}{8}$ | $2\frac{31}{32}$ | $3\frac{3}{64}$ | $\frac{13}{32}$ | $\frac{25}{32}$ | $\frac{163}{64}$ | $2\frac{11}{32}$ | $2\frac{1}{2}$ | $2\frac{13}{16}$ | $\frac{15}{64}$ | $\frac{5}{64}$ | $4\frac{39}{64}$ | $\frac{13}{16}$ |
| 6 | $1\frac{1}{32}$ | 6 | $2\frac{7}{16}$ | $4\frac{23}{32}$ | $\frac{3}{16}$ | $\frac{17}{32}$ | $\frac{1}{2}$ | $\frac{27}{32}$ | $\frac{21}{32}$ | $\frac{3}{4}$ | $3\frac{9}{16}$ | $3\frac{21}{32}$ | $\frac{11}{16}$ | $\frac{15}{16}$ | $2\frac{25}{64}$ | $2\frac{13}{16}$ | 3 | $3\frac{3}{8}$ | $\frac{9}{32}$ | $\frac{3}{32}$ | $5\frac{17}{32}$ | $\frac{53}{64}$ |
| 7 | $1\frac{13}{64}$ | 7 | $2\frac{27}{32}$ | $5\frac{37}{64}$ | $\frac{7}{32}$ | $\frac{127}{64}$ | $\frac{3}{4}$ | $\frac{63}{64}$ | $\frac{49}{64}$ | $\frac{7}{8}$ | $4\frac{5}{32}$ | $4\frac{17}{64}$ | $\frac{131}{32}$ | $\frac{1}{32}$ | $2\frac{25}{32}$ | $3\frac{9}{32}$ | $3\frac{1}{2}$ | $3\frac{13}{16}$ | $\frac{21}{64}$ | $\frac{7}{64}$ | $6\frac{29}{64}$ | $\frac{9}{64}$ |
| 8 | $1\frac{3}{8}$ | 8 | $3\frac{1}{4}$ | $6\frac{3}{8}$ | $\frac{1}{4}$ | $\frac{15}{8}$ | 2 | $1\frac{1}{8}$ | $\frac{7}{8}$ | 1 | $4\frac{3}{4}$ | $4\frac{7}{8}$ | $2\frac{1}{4}$ | $\frac{1}{4}$ | $3\frac{3}{16}$ | $3\frac{3}{4}$ | 4 | $4\frac{1}{2}$ | $\frac{3}{8}$ | $\frac{1}{8}$ | $7\frac{3}{8}$ | $1\frac{5}{16}$ |
| 12 | $2\frac{1}{16}$ | 12 | $4\frac{7}{8}$ | $9\frac{9}{16}$ | $\frac{3}{8}$ | $2\frac{7}{16}$ | 3 | $1\frac{11}{16}$ | $\frac{5}{16}$ | $\frac{1}{2}$ | $7\frac{1}{8}$ | $7\frac{5}{16}$ | $3\frac{3}{8}$ | $\frac{17}{8}$ | $4\frac{25}{32}$ | $5\frac{5}{8}$ | 6 | $6\frac{3}{4}$ | $\frac{9}{16}$ | $\frac{3}{16}$ | $11\frac{11}{16}$ | $\frac{31}{32}$ |
| 18 | $3\frac{3}{32}$ | 18 | $7\frac{5}{16}$ | $14\frac{11}{32}$ | $\frac{9}{16}$ | $3\frac{21}{32}$ | $4\frac{1}{2}$ | $2\frac{17}{32}$ | $\frac{131}{32}$ | $2\frac{1}{4}$ | $10\frac{11}{16}$ | $10\frac{31}{32}$ | $5\frac{1}{16}$ | $2\frac{13}{16}$ | $7\frac{5}{32}$ | $8\frac{7}{16}$ | 9 | $10\frac{1}{8}$ | $\frac{27}{32}$ | $\frac{9}{32}$ | $16\frac{19}{32}$ | $2\frac{15}{16}$ |



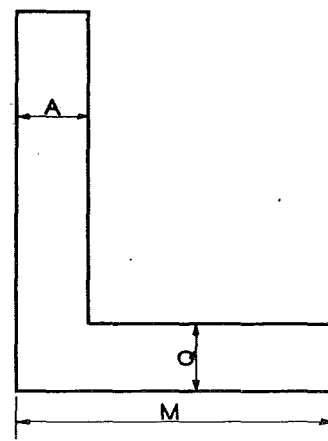
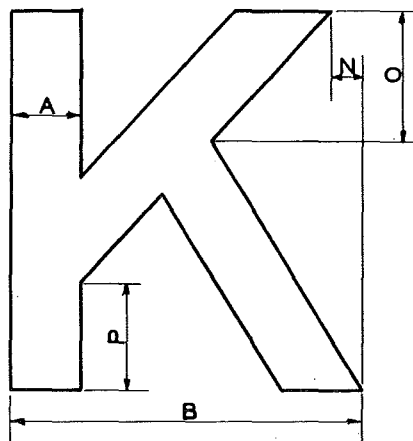
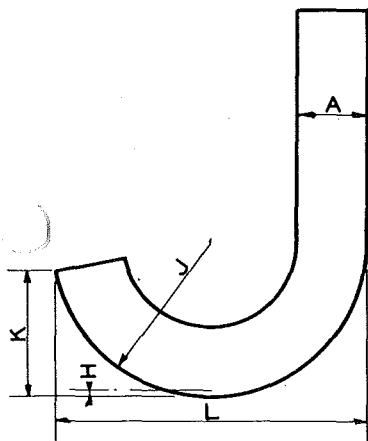
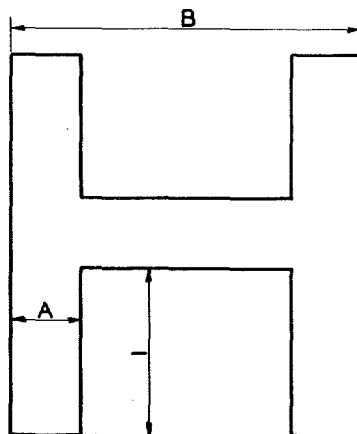
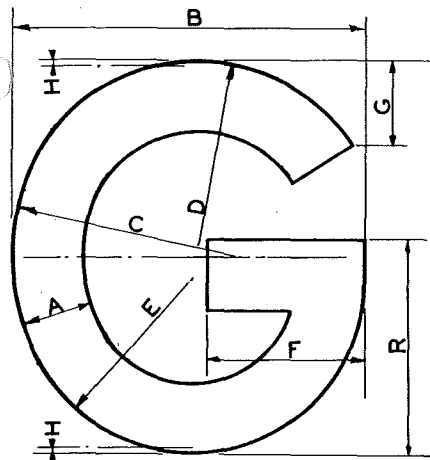
SERIES E NUMERALS

| HEIGHT (INCHES) | DIMENSIONS (INCHES) | | | | | | | | | | | | | | | | | | | | | | | |
|--------------------|---------------------|-------------------|------------------|------------------|-------------------|------------------|-----------------|------------------|------------------|----------------|----------------|-------------------|------------------|------------------|-------------------|------------------|-------------------|------------------|------------------|-------------------|-------------------|------------------|------------------|------------------|
| | A | B | C | D | E | F | G | H | I | J | K | L | M | N | O | P | Q | R | S | T | U | V | W | X |
| 2 | $\frac{11}{32}$ | $\frac{19}{32}$ | $2\frac{3}{32}$ | $\frac{23}{32}$ | $\frac{17}{16}$ | $\frac{15}{16}$ | $\frac{3}{32}$ | $\frac{7}{32}$ | $\frac{5}{32}$ | $\frac{1}{32}$ | $\frac{1}{16}$ | $\frac{1}{32}$ | $\frac{9}{32}$ | $\frac{9}{16}$ | $2\frac{7}{16}$ | $\frac{17}{64}$ | $\frac{13}{32}$ | $\frac{21}{64}$ | $1\frac{3}{32}$ | $\frac{121}{32}$ | $\frac{25}{32}$ | $\frac{19}{64}$ | $\frac{9}{64}$ | |
| 3 | $\frac{33}{64}$ | $2\frac{25}{64}$ | $3\frac{3}{64}$ | $\frac{15}{64}$ | $2\frac{5}{32}$ | $\frac{113}{32}$ | $\frac{9}{64}$ | $\frac{21}{64}$ | $\frac{15}{64}$ | $\frac{3}{64}$ | $\frac{3}{32}$ | $\frac{153}{64}$ | $\frac{27}{64}$ | $\frac{27}{32}$ | $3\frac{21}{32}$ | $\frac{121}{32}$ | $\frac{125}{32}$ | $\frac{63}{64}$ | $\frac{3}{4}$ | $1\frac{47}{64}$ | $2\frac{31}{64}$ | $\frac{11}{64}$ | $\frac{7}{16}$ | $\frac{7}{32}$ |
| 4 | $\frac{11}{16}$ | $3\frac{3}{16}$ | $4\frac{1}{16}$ | $\frac{17}{16}$ | $2\frac{7}{8}$ | $\frac{17}{8}$ | $\frac{3}{16}$ | $\frac{7}{16}$ | $\frac{5}{16}$ | $\frac{1}{16}$ | $\frac{1}{8}$ | $2\frac{7}{16}$ | $\frac{9}{16}$ | $1\frac{1}{8}$ | $4\frac{7}{8}$ | $2\frac{3}{32}$ | $2\frac{3}{8}$ | $\frac{5}{16}$ | $\frac{63}{64}$ | $2\frac{5}{16}$ | $3\frac{5}{16}$ | $\frac{19}{16}$ | $\frac{19}{32}$ | $\frac{17}{64}$ |
| 5 | $\frac{25}{64}$ | $3\frac{23}{64}$ | $5\frac{5}{64}$ | $\frac{151}{64}$ | $3\frac{19}{32}$ | $2\frac{11}{32}$ | $\frac{15}{64}$ | $\frac{35}{64}$ | $\frac{25}{64}$ | $\frac{5}{64}$ | $\frac{5}{32}$ | $3\frac{3}{64}$ | $\frac{45}{64}$ | $\frac{113}{32}$ | $6\frac{3}{32}$ | $2\frac{49}{64}$ | $2\frac{31}{32}$ | $1\frac{41}{64}$ | $\frac{15}{64}$ | $2\frac{57}{64}$ | $4\frac{9}{64}$ | $1\frac{61}{64}$ | $\frac{47}{64}$ | $\frac{23}{64}$ |
| 6 | $1\frac{1}{32}$ | $4\frac{29}{64}$ | $6\frac{3}{32}$ | $2\frac{5}{32}$ | $4\frac{5}{8}$ | $2\frac{13}{16}$ | $\frac{9}{32}$ | $\frac{21}{64}$ | $\frac{19}{32}$ | $\frac{3}{32}$ | $\frac{3}{16}$ | $3\frac{21}{64}$ | $\frac{27}{32}$ | $1\frac{11}{16}$ | $7\frac{5}{16}$ | $3\frac{21}{64}$ | $3\frac{9}{16}$ | $1\frac{31}{32}$ | $1\frac{25}{64}$ | $3\frac{15}{64}$ | $4\frac{3}{32}$ | $2\frac{11}{32}$ | $\frac{57}{64}$ | $\frac{27}{64}$ |
| 7 | $\frac{113}{64}$ | $5\frac{27}{64}$ | $7\frac{7}{64}$ | $\frac{233}{64}$ | $5\frac{1}{32}$ | $3\frac{9}{32}$ | $\frac{21}{64}$ | $\frac{49}{64}$ | $\frac{25}{64}$ | $\frac{7}{64}$ | $\frac{7}{32}$ | $4\frac{17}{64}$ | $\frac{63}{64}$ | $\frac{131}{32}$ | $8\frac{17}{32}$ | $3\frac{7}{8}$ | $4\frac{5}{32}$ | $2\frac{19}{64}$ | $\frac{147}{64}$ | $4\frac{3}{64}$ | $5\frac{61}{64}$ | $2\frac{47}{64}$ | $1\frac{1}{32}$ | $\frac{1}{2}$ |
| 8 | $1\frac{3}{8}$ | $6\frac{3}{8}$ | $8\frac{1}{8}$ | $2\frac{7}{8}$ | $5\frac{3}{4}$ | $3\frac{3}{4}$ | $\frac{3}{8}$ | $\frac{7}{8}$ | $\frac{5}{8}$ | $\frac{1}{8}$ | $\frac{1}{4}$ | $4\frac{7}{8}$ | $1\frac{1}{8}$ | $2\frac{1}{4}$ | $9\frac{3}{4}$ | $4\frac{7}{16}$ | $4\frac{3}{4}$ | $2\frac{5}{8}$ | $\frac{63}{64}$ | $4\frac{5}{8}$ | $6\frac{5}{8}$ | $3\frac{1}{8}$ | $1\frac{3}{16}$ | $\frac{17}{32}$ |
| 12 | $2\frac{1}{16}$ | $9\frac{9}{16}$ | $12\frac{3}{16}$ | $4\frac{5}{16}$ | $8\frac{5}{8}$ | $5\frac{5}{8}$ | $\frac{9}{16}$ | $1\frac{5}{16}$ | $\frac{15}{16}$ | $\frac{3}{16}$ | $\frac{3}{8}$ | $7\frac{5}{16}$ | $1\frac{11}{16}$ | $3\frac{3}{8}$ | $14\frac{5}{8}$ | $6\frac{21}{32}$ | $7\frac{1}{8}$ | $3\frac{15}{16}$ | $2\frac{31}{32}$ | $6\frac{15}{16}$ | $9\frac{15}{16}$ | $4\frac{11}{16}$ | $\frac{25}{32}$ | $\frac{27}{32}$ |
| 18 | $3\frac{3}{32}$ | $14\frac{11}{32}$ | $18\frac{7}{32}$ | $6\frac{15}{32}$ | $12\frac{15}{16}$ | $8\frac{7}{16}$ | $\frac{27}{32}$ | $\frac{131}{32}$ | $\frac{113}{32}$ | $\frac{9}{32}$ | $\frac{9}{16}$ | $10\frac{21}{32}$ | $2\frac{17}{32}$ | $5\frac{1}{16}$ | $21\frac{19}{16}$ | $9\frac{63}{64}$ | $10\frac{11}{16}$ | $5\frac{29}{32}$ | $4\frac{29}{64}$ | $10\frac{13}{32}$ | $14\frac{29}{32}$ | $7\frac{1}{32}$ | $2\frac{43}{64}$ | $1\frac{17}{64}$ |



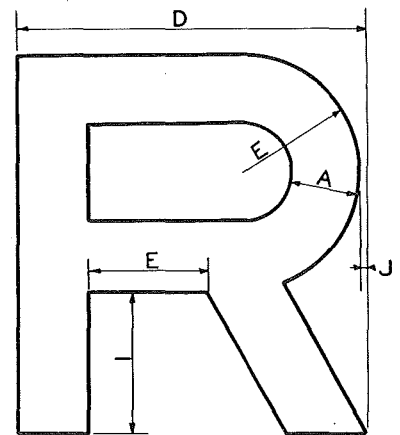
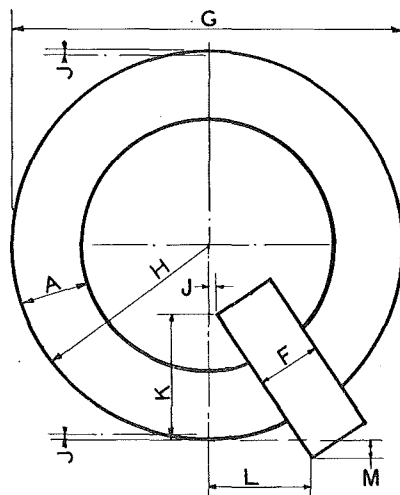
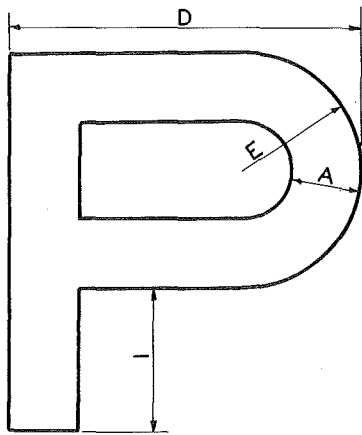
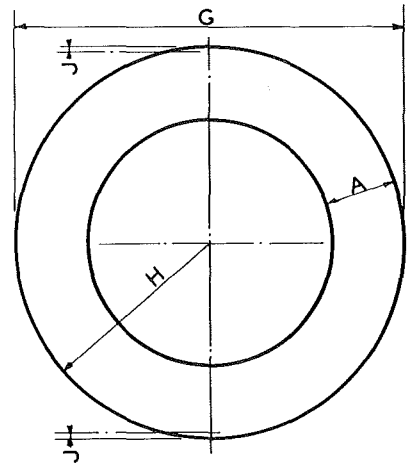
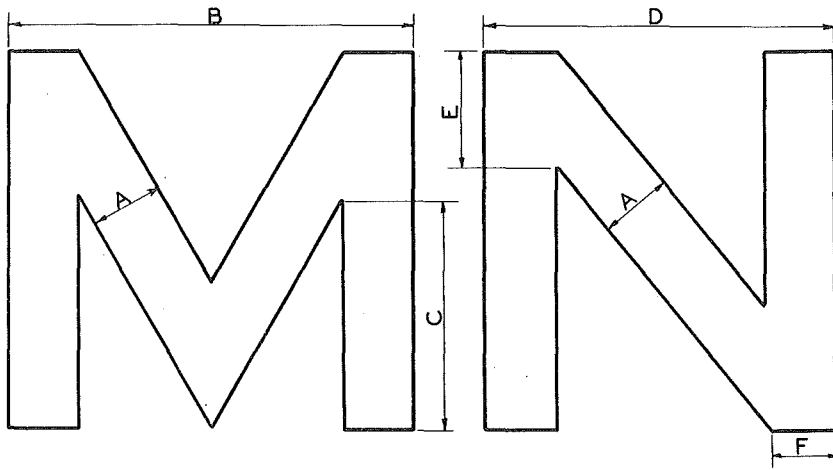
SERIES F LETTERS

| HEIGHT (INCHES) | DIMENSIONS (INCHES) | | | | | | | | | | | | | | | | | | |
|--------------------|---------------------|-----------------|------------------|-------------------|------------------|------------------|------------------|------------------|------------------|------------------|-----------------|------------------|----------------|----------------|------------------|------------------|-----------------|------------------|------------------|
| | A | B | C | D | E | F | G | H | I | J | K | L | M | N | O | P | Q | R | S |
| 2 | $\frac{3}{8}$ | $2\frac{1}{4}$ | $\frac{7}{16}$ | $1\frac{27}{32}$ | $\frac{17}{32}$ | $\frac{9}{16}$ | $\frac{9}{16}$ | $\frac{7}{32}$ | $\frac{9}{32}$ | $1\frac{1}{16}$ | $\frac{3}{32}$ | $1\frac{1}{32}$ | $\frac{1}{32}$ | 1 | $1\frac{9}{16}$ | $1\frac{19}{32}$ | $\frac{7}{8}$ | $1\frac{1}{16}$ | $\frac{23}{32}$ |
| 3 | $\frac{9}{16}$ | $3\frac{3}{8}$ | $\frac{21}{32}$ | $2\frac{49}{64}$ | $\frac{51}{64}$ | $\frac{27}{32}$ | $\frac{15}{32}$ | $\frac{21}{64}$ | $\frac{27}{64}$ | $1\frac{19}{32}$ | $\frac{9}{64}$ | $1\frac{35}{64}$ | $\frac{3}{64}$ | $1\frac{1}{2}$ | $2\frac{11}{32}$ | $2\frac{25}{64}$ | $1\frac{5}{16}$ | $1\frac{1}{32}$ | $1\frac{5}{64}$ |
| 4 | $\frac{3}{4}$ | $4\frac{1}{2}$ | $\frac{7}{8}$ | $3\frac{11}{16}$ | $1\frac{1}{8}$ | $1\frac{1}{8}$ | $\frac{5}{8}$ | $\frac{7}{16}$ | $\frac{9}{16}$ | $2\frac{1}{8}$ | $\frac{3}{16}$ | $2\frac{1}{16}$ | $\frac{1}{16}$ | 2 | $3\frac{3}{8}$ | $3\frac{3}{16}$ | $1\frac{3}{4}$ | $1\frac{3}{8}$ | $1\frac{7}{16}$ |
| 5 | $1\frac{15}{16}$ | $5\frac{5}{8}$ | $1\frac{3}{32}$ | $4\frac{39}{64}$ | $1\frac{21}{64}$ | $1\frac{13}{32}$ | $\frac{25}{32}$ | $\frac{35}{64}$ | $\frac{45}{64}$ | $2\frac{21}{32}$ | $\frac{15}{64}$ | $2\frac{37}{64}$ | $\frac{5}{64}$ | $2\frac{1}{2}$ | $3\frac{29}{32}$ | $3\frac{63}{64}$ | $2\frac{3}{8}$ | $1\frac{3}{32}$ | $1\frac{51}{64}$ |
| 6 | $1\frac{1}{8}$ | $6\frac{3}{4}$ | $1\frac{5}{16}$ | $5\frac{17}{32}$ | $1\frac{19}{32}$ | $1\frac{1}{16}$ | $\frac{15}{16}$ | $\frac{21}{32}$ | $\frac{27}{32}$ | $3\frac{3}{16}$ | $\frac{9}{32}$ | $3\frac{3}{32}$ | $\frac{3}{32}$ | 3 | $4\frac{1}{16}$ | $4\frac{29}{64}$ | $2\frac{5}{8}$ | $2\frac{1}{16}$ | $2\frac{5}{32}$ |
| 7 | $1\frac{5}{16}$ | $7\frac{7}{8}$ | $1\frac{17}{32}$ | $6\frac{29}{64}$ | $1\frac{55}{64}$ | $1\frac{31}{32}$ | $\frac{13}{32}$ | $\frac{49}{64}$ | $\frac{63}{64}$ | $3\frac{23}{32}$ | $\frac{21}{64}$ | $3\frac{39}{64}$ | $\frac{7}{64}$ | $3\frac{1}{2}$ | $5\frac{15}{32}$ | $5\frac{37}{64}$ | $3\frac{1}{16}$ | $2\frac{13}{32}$ | $2\frac{33}{64}$ |
| 8 | $1\frac{1}{2}$ | 9 | $1\frac{3}{4}$ | $7\frac{3}{8}$ | $2\frac{1}{8}$ | $2\frac{1}{4}$ | $1\frac{1}{4}$ | $\frac{7}{8}$ | $1\frac{1}{8}$ | $4\frac{1}{4}$ | $\frac{3}{8}$ | $4\frac{1}{8}$ | $\frac{1}{8}$ | 4 | $6\frac{1}{4}$ | $6\frac{3}{8}$ | $3\frac{1}{2}$ | $2\frac{3}{4}$ | $2\frac{7}{8}$ |
| 12 | $2\frac{1}{4}$ | $13\frac{1}{2}$ | $2\frac{5}{8}$ | $11\frac{1}{16}$ | $3\frac{3}{16}$ | $3\frac{3}{8}$ | $1\frac{7}{8}$ | $1\frac{5}{16}$ | $1\frac{1}{16}$ | $6\frac{3}{8}$ | $\frac{9}{16}$ | $6\frac{3}{16}$ | $\frac{3}{16}$ | 6 | $9\frac{3}{8}$ | $9\frac{9}{16}$ | $5\frac{1}{4}$ | $4\frac{1}{8}$ | $4\frac{5}{16}$ |
| 18 | $3\frac{3}{8}$ | $20\frac{1}{4}$ | $3\frac{15}{16}$ | $16\frac{19}{32}$ | $4\frac{25}{32}$ | $5\frac{1}{16}$ | $2\frac{13}{16}$ | $1\frac{31}{32}$ | $2\frac{17}{32}$ | $9\frac{9}{16}$ | $\frac{27}{32}$ | $9\frac{9}{32}$ | $\frac{9}{32}$ | 9 | $14\frac{1}{16}$ | $14\frac{1}{32}$ | $7\frac{7}{8}$ | $6\frac{3}{16}$ | $6\frac{13}{32}$ |



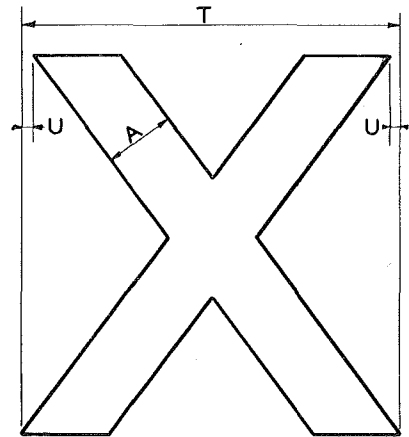
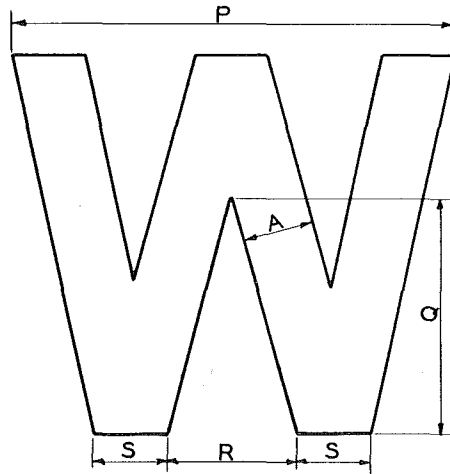
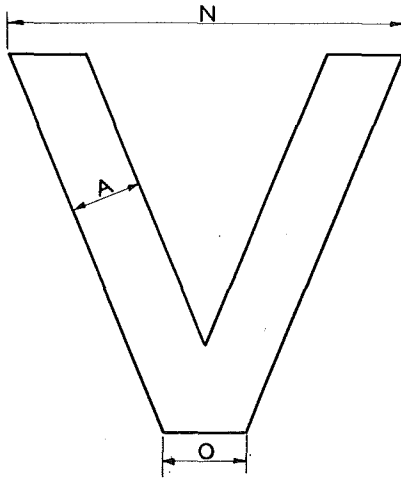
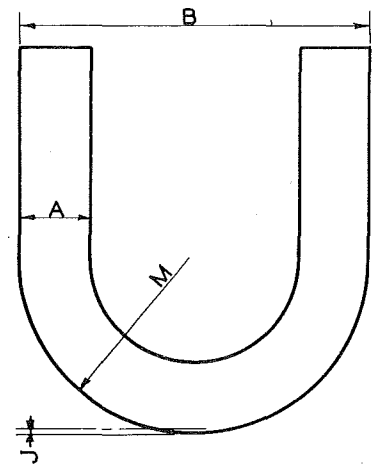
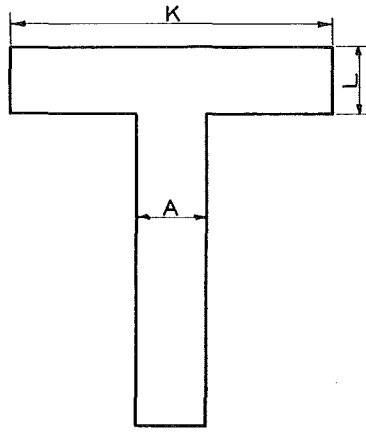
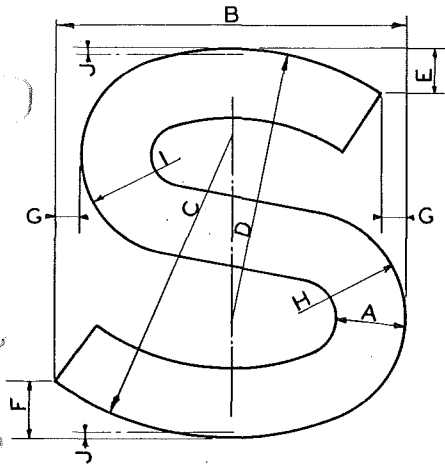
SERIES F LETTERS

| HEIGHT (INCHES) | DIMENSIONS (INCHES) | | | | | | | | | | | | | | | | | |
|--------------------|---------------------|-------------------|-------------------|------------------|------------------|------------------|------------------|----------------|-----------------|------------------|------------------|-----------------|------------------|-----------------|------------------|------------------|------------------|------------------|
| | A | B | C | D | E | F | G | H | I | J | K | L | M | N | O | P | Q | R |
| 2 | $\frac{3}{8}$ | $\frac{127}{32}$ | $\frac{13}{16}$ | $\frac{31}{32}$ | $\frac{29}{32}$ | $\frac{27}{32}$ | $\frac{7}{16}$ | $\frac{1}{32}$ | $\frac{7}{8}$ | $\frac{13}{16}$ | $\frac{21}{32}$ | $\frac{15}{8}$ | $\frac{11}{16}$ | $\frac{5}{32}$ | $\frac{11}{16}$ | $\frac{9}{16}$ | $\frac{11}{32}$ | $\frac{1}{8}$ |
| 3 | $\frac{9}{16}$ | $2\frac{19}{64}$ | $\frac{123}{32}$ | $\frac{129}{64}$ | $\frac{23}{64}$ | $\frac{17}{64}$ | $\frac{21}{32}$ | $\frac{3}{64}$ | $1\frac{5}{16}$ | $1\frac{7}{32}$ | $\frac{63}{64}$ | $2\frac{7}{16}$ | $2\frac{17}{32}$ | $\frac{15}{64}$ | $1\frac{1}{32}$ | $\frac{27}{32}$ | $\frac{33}{64}$ | $1\frac{1}{8}$ |
| 4 | $\frac{3}{4}$ | $3\frac{1}{16}$ | $2\frac{3}{8}$ | $1\frac{13}{16}$ | $1\frac{13}{16}$ | $1\frac{11}{16}$ | $\frac{7}{8}$ | $\frac{1}{16}$ | $1\frac{3}{4}$ | $1\frac{5}{8}$ | $1\frac{5}{16}$ | $3\frac{1}{4}$ | $3\frac{3}{8}$ | $\frac{5}{16}$ | $1\frac{3}{8}$ | $1\frac{1}{8}$ | $\frac{11}{16}$ | $2\frac{1}{4}$ |
| 5 | $\frac{15}{16}$ | $4\frac{39}{64}$ | $2\frac{31}{32}$ | $2\frac{27}{64}$ | $2\frac{17}{64}$ | $2\frac{7}{64}$ | $1\frac{3}{32}$ | $\frac{5}{64}$ | $2\frac{3}{16}$ | $2\frac{3}{32}$ | $1\frac{41}{64}$ | $4\frac{1}{16}$ | $4\frac{7}{32}$ | $\frac{25}{64}$ | $1\frac{23}{32}$ | $1\frac{13}{32}$ | $\frac{55}{64}$ | $2\frac{13}{16}$ |
| 6 | $1\frac{1}{8}$ | $5\frac{17}{32}$ | $3\frac{3}{16}$ | $2\frac{29}{32}$ | $2\frac{23}{32}$ | $2\frac{17}{32}$ | $1\frac{5}{16}$ | $\frac{3}{32}$ | $2\frac{5}{8}$ | $2\frac{7}{16}$ | $1\frac{31}{32}$ | $4\frac{7}{8}$ | $5\frac{1}{16}$ | $\frac{15}{32}$ | $2\frac{1}{16}$ | $1\frac{11}{16}$ | $1\frac{1}{32}$ | $3\frac{3}{8}$ |
| 7 | $1\frac{5}{16}$ | $6\frac{29}{64}$ | $4\frac{5}{32}$ | $3\frac{23}{64}$ | $3\frac{11}{64}$ | $2\frac{9}{64}$ | $1\frac{17}{32}$ | $\frac{7}{64}$ | $3\frac{1}{16}$ | $2\frac{27}{32}$ | $2\frac{19}{64}$ | $5\frac{1}{16}$ | $5\frac{29}{32}$ | $\frac{25}{64}$ | $2\frac{13}{32}$ | $1\frac{31}{32}$ | $1\frac{13}{64}$ | $3\frac{15}{16}$ |
| 8 | $1\frac{1}{2}$ | $7\frac{3}{8}$ | $4\frac{3}{4}$ | $3\frac{7}{8}$ | $3\frac{5}{8}$ | $3\frac{3}{8}$ | $1\frac{3}{4}$ | $\frac{1}{8}$ | $3\frac{1}{2}$ | $3\frac{1}{4}$ | $2\frac{5}{8}$ | $6\frac{1}{2}$ | $6\frac{3}{4}$ | $\frac{5}{8}$ | $2\frac{3}{4}$ | $2\frac{1}{4}$ | $1\frac{3}{8}$ | $4\frac{1}{2}$ |
| 12 | $2\frac{1}{4}$ | $11\frac{1}{16}$ | $7\frac{1}{8}$ | $5\frac{13}{16}$ | $5\frac{7}{16}$ | $5\frac{1}{16}$ | $2\frac{5}{8}$ | $\frac{3}{16}$ | $5\frac{1}{4}$ | $4\frac{7}{8}$ | $3\frac{13}{16}$ | $9\frac{3}{4}$ | $10\frac{1}{8}$ | $\frac{15}{16}$ | $4\frac{1}{8}$ | $3\frac{3}{8}$ | $2\frac{1}{16}$ | $6\frac{3}{4}$ |
| 18 | $3\frac{3}{8}$ | $16\frac{19}{32}$ | $10\frac{11}{16}$ | $8\frac{23}{32}$ | $8\frac{5}{32}$ | $7\frac{19}{32}$ | $3\frac{15}{16}$ | $\frac{9}{32}$ | $7\frac{7}{8}$ | $7\frac{5}{16}$ | $5\frac{29}{32}$ | $14\frac{5}{8}$ | $15\frac{3}{16}$ | $\frac{13}{32}$ | $6\frac{3}{16}$ | $5\frac{1}{16}$ | $3\frac{3}{32}$ | $10\frac{1}{8}$ |



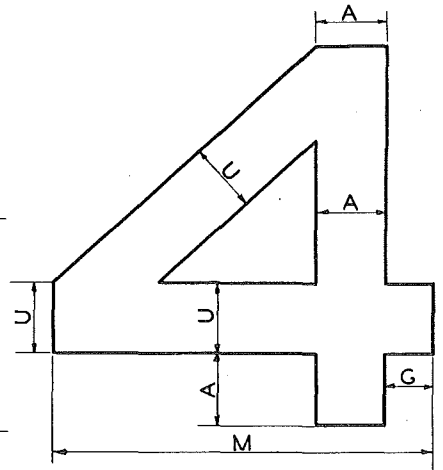
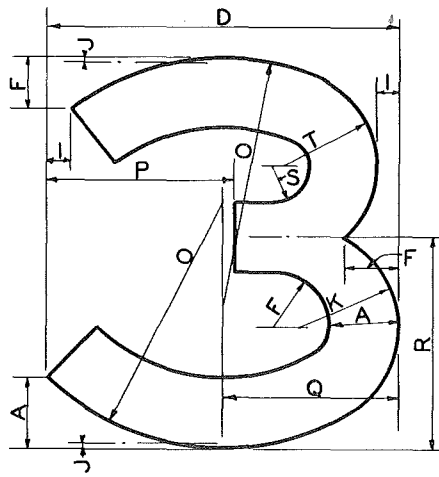
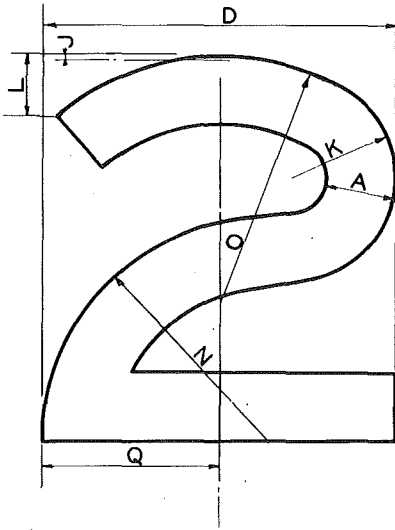
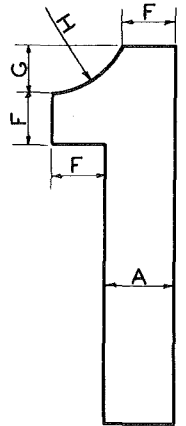
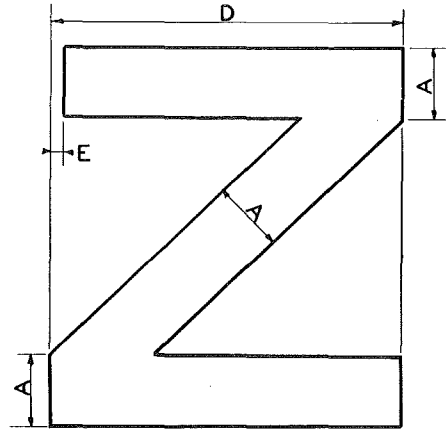
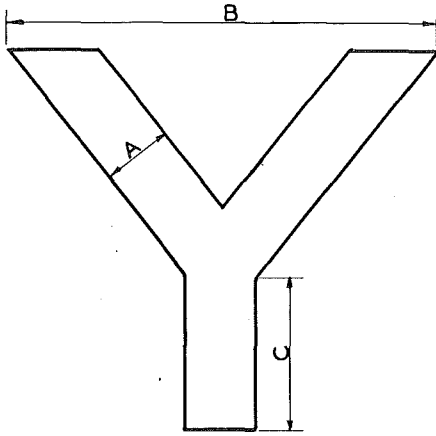
SERIES F LETTERS

| HEIGHT (INCHES) | DIMENSIONS (INCHES) | | | | | | | | | | | | |
|--------------------|---------------------|-----------------|-------------------|-------------------|-----------------|------------------|------------------|------------------|----------------|----------------|------------------|------------------|-----------------|
| | A | B | C | D | E | F | G | H | I | J | K | L | M |
| 2 | $\frac{3}{8}$ | $2\frac{1}{8}$ | $1\frac{3}{16}$ | $1\frac{27}{32}$ | $\frac{5}{8}$ | $\frac{11}{32}$ | $2\frac{1}{16}$ | $1\frac{1}{32}$ | $\frac{3}{4}$ | $\frac{1}{32}$ | $2\frac{1}{32}$ | $1\frac{7}{32}$ | $\frac{3}{32}$ |
| 3 | $\frac{9}{16}$ | $3\frac{3}{16}$ | $1\frac{25}{32}$ | $2\frac{49}{64}$ | $\frac{15}{16}$ | $\frac{33}{64}$ | $3\frac{3}{32}$ | $1\frac{35}{64}$ | $1\frac{1}{8}$ | $\frac{3}{64}$ | $6\frac{3}{64}$ | $5\frac{1}{64}$ | $\frac{9}{64}$ |
| 4 | $\frac{3}{4}$ | $4\frac{1}{4}$ | $2\frac{3}{8}$ | $3\frac{11}{16}$ | $1\frac{1}{4}$ | $\frac{11}{16}$ | $4\frac{1}{8}$ | $2\frac{1}{16}$ | $1\frac{1}{2}$ | $\frac{1}{16}$ | $1\frac{5}{16}$ | $1\frac{1}{16}$ | $\frac{3}{16}$ |
| 5 | $\frac{15}{16}$ | $5\frac{9}{16}$ | $2\frac{31}{32}$ | $4\frac{39}{64}$ | $\frac{9}{16}$ | $\frac{55}{64}$ | $5\frac{5}{32}$ | $2\frac{37}{64}$ | $1\frac{7}{8}$ | $\frac{5}{64}$ | $14\frac{1}{64}$ | $12\frac{1}{64}$ | $\frac{15}{64}$ |
| 6 | $1\frac{1}{8}$ | $6\frac{3}{8}$ | $3\frac{9}{16}$ | $5\frac{17}{32}$ | $1\frac{7}{8}$ | $1\frac{1}{32}$ | $6\frac{3}{16}$ | $3\frac{3}{32}$ | $2\frac{1}{4}$ | $\frac{3}{32}$ | $1\frac{31}{32}$ | $1\frac{19}{32}$ | $\frac{9}{32}$ |
| 7 | $1\frac{5}{16}$ | $7\frac{7}{16}$ | $4\frac{5}{32}$ | $6\frac{29}{64}$ | $2\frac{3}{16}$ | $1\frac{13}{64}$ | $7\frac{7}{32}$ | $3\frac{39}{64}$ | $2\frac{5}{8}$ | $\frac{7}{64}$ | $2\frac{19}{64}$ | $15\frac{5}{64}$ | $2\frac{1}{64}$ |
| 8 | $1\frac{1}{2}$ | $8\frac{1}{2}$ | $4\frac{3}{4}$ | $7\frac{3}{8}$ | $2\frac{1}{2}$ | $1\frac{3}{8}$ | $8\frac{1}{4}$ | $4\frac{1}{8}$ | 3 | $\frac{1}{8}$ | $2\frac{5}{8}$ | $2\frac{1}{8}$ | $\frac{3}{8}$ |
| 12 | $2\frac{1}{4}$ | $12\frac{3}{4}$ | $7\frac{1}{8}$ | $11\frac{1}{16}$ | $3\frac{3}{4}$ | $2\frac{1}{16}$ | $12\frac{3}{8}$ | $6\frac{3}{16}$ | $4\frac{1}{2}$ | $\frac{3}{16}$ | $3\frac{15}{16}$ | $3\frac{3}{16}$ | $\frac{9}{16}$ |
| 18 | $3\frac{3}{8}$ | $19\frac{1}{8}$ | $10\frac{11}{16}$ | $16\frac{19}{32}$ | $5\frac{5}{8}$ | $3\frac{3}{32}$ | $18\frac{9}{16}$ | $9\frac{9}{32}$ | $6\frac{3}{4}$ | $\frac{9}{32}$ | $5\frac{29}{32}$ | $4\frac{25}{32}$ | $\frac{27}{32}$ |



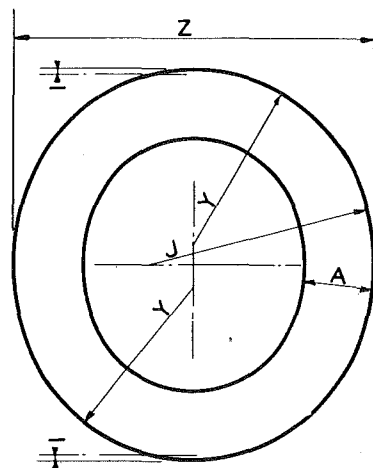
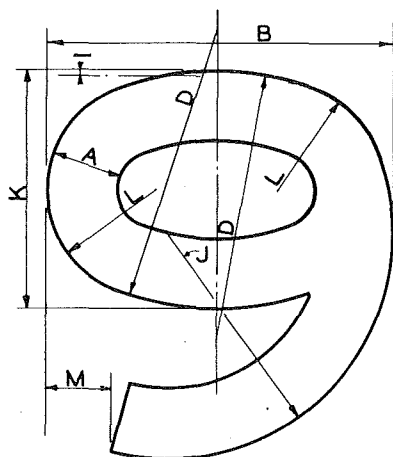
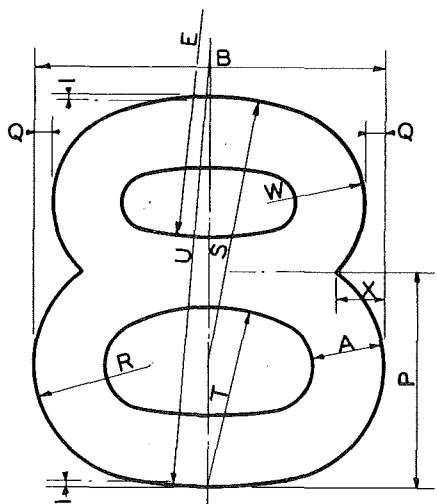
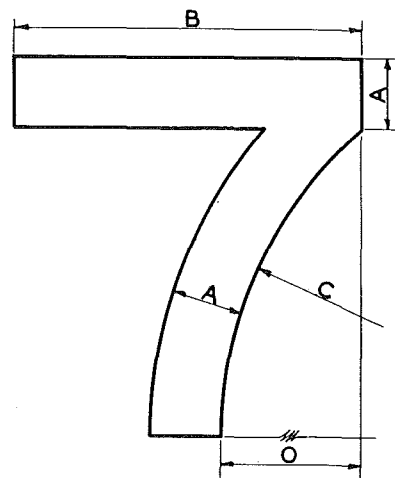
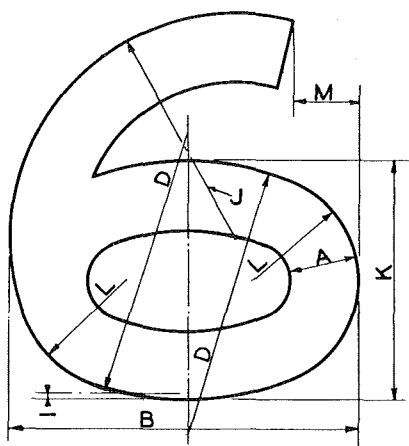
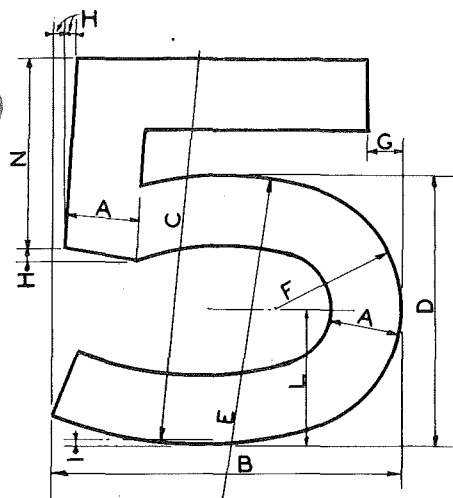
SERIES F LETTERS

| HEIGHT (INCHES) | DIMENSIONS (INCHES) | | | | | | | | | | | | | | | | | | | | |
|--------------------|---------------------|-------------------|------------------|-------------------|------------------|------------------|----------------|------------------|------------------|----------------|------------------|------------------|------------------|------------------|------------------|-------------------|-----------------|------------------|------------------|----|----------------|
| | A | B | C | D | E | F | G | H | I | J | K | L | M | N | O | P | Q | R | S | T | U |
| 2 | $\frac{3}{8}$ | $1\frac{27}{32}$ | $1\frac{9}{16}$ | $1\frac{7}{16}$ | $\frac{15}{64}$ | $\frac{19}{64}$ | $\frac{1}{8}$ | $\frac{9}{16}$ | $\frac{17}{32}$ | $\frac{1}{32}$ | $1\frac{11}{16}$ | $\frac{11}{32}$ | $\frac{59}{64}$ | $2\frac{1}{16}$ | $\frac{7}{16}$ | $2\frac{5}{16}$ | $1\frac{1}{4}$ | $\frac{11}{16}$ | $\frac{13}{32}$ | 2 | $\frac{1}{16}$ |
| 3 | $\frac{9}{16}$ | $2\frac{3}{4}$ | $2\frac{11}{32}$ | $2\frac{5}{32}$ | $\frac{11}{32}$ | $\frac{7}{16}$ | $\frac{3}{16}$ | $\frac{27}{32}$ | $\frac{51}{64}$ | $\frac{3}{64}$ | $2\frac{17}{32}$ | $\frac{33}{64}$ | $1\frac{3}{8}$ | $3\frac{3}{32}$ | $\frac{21}{32}$ | $3\frac{15}{32}$ | $1\frac{7}{8}$ | $1\frac{1}{32}$ | $\frac{39}{64}$ | 3 | $\frac{3}{32}$ |
| 4 | $\frac{3}{4}$ | $3\frac{11}{16}$ | $3\frac{1}{8}$ | $2\frac{7}{8}$ | $\frac{15}{32}$ | $\frac{19}{32}$ | $\frac{1}{4}$ | $1\frac{1}{8}$ | $1\frac{1}{16}$ | $\frac{1}{16}$ | $3\frac{3}{8}$ | $\frac{11}{16}$ | $1\frac{27}{32}$ | $4\frac{1}{8}$ | $\frac{7}{8}$ | $4\frac{5}{8}$ | $2\frac{1}{2}$ | $1\frac{3}{8}$ | $\frac{13}{16}$ | 4 | $\frac{1}{8}$ |
| 5 | $\frac{15}{16}$ | $4\frac{19}{32}$ | $3\frac{29}{32}$ | $3\frac{19}{32}$ | $\frac{37}{64}$ | $\frac{47}{64}$ | $\frac{5}{16}$ | $1\frac{13}{32}$ | $1\frac{21}{64}$ | $\frac{5}{64}$ | $4\frac{7}{32}$ | $\frac{55}{64}$ | $2\frac{19}{64}$ | $5\frac{5}{32}$ | $1\frac{3}{32}$ | $5\frac{29}{32}$ | $3\frac{1}{8}$ | $1\frac{23}{32}$ | $1\frac{5}{64}$ | 5 | $\frac{5}{32}$ |
| 6 | $1\frac{1}{8}$ | $5\frac{17}{32}$ | $4\frac{11}{16}$ | $4\frac{5}{16}$ | $\frac{45}{64}$ | $\frac{57}{64}$ | $\frac{3}{8}$ | $1\frac{11}{16}$ | $1\frac{19}{32}$ | $\frac{3}{32}$ | $5\frac{1}{16}$ | $1\frac{1}{32}$ | $2\frac{29}{64}$ | $6\frac{3}{16}$ | $1\frac{5}{16}$ | $6\frac{15}{16}$ | $3\frac{3}{4}$ | $2\frac{1}{16}$ | $1\frac{7}{32}$ | 6 | $\frac{3}{16}$ |
| 7 | $1\frac{5}{16}$ | $6\frac{7}{16}$ | $5\frac{15}{32}$ | $5\frac{1}{32}$ | $\frac{13}{16}$ | $\frac{1}{32}$ | $\frac{7}{16}$ | $1\frac{31}{32}$ | $1\frac{55}{64}$ | $\frac{7}{64}$ | $5\frac{29}{32}$ | $1\frac{13}{64}$ | $3\frac{7}{32}$ | $7\frac{7}{32}$ | $1\frac{17}{32}$ | $8\frac{3}{32}$ | $4\frac{3}{8}$ | $2\frac{13}{32}$ | $1\frac{27}{64}$ | 7 | $\frac{7}{32}$ |
| 8 | $1\frac{1}{2}$ | $7\frac{3}{8}$ | $6\frac{1}{4}$ | $5\frac{3}{4}$ | $\frac{15}{16}$ | $\frac{1}{16}$ | $\frac{1}{2}$ | $2\frac{1}{4}$ | $2\frac{1}{8}$ | $\frac{1}{8}$ | $6\frac{3}{4}$ | $1\frac{3}{8}$ | $3\frac{1}{16}$ | $8\frac{1}{4}$ | $1\frac{3}{4}$ | $9\frac{1}{4}$ | 5 | $2\frac{3}{4}$ | $1\frac{5}{8}$ | 8 | $\frac{1}{4}$ |
| 12 | $2\frac{1}{4}$ | $11\frac{1}{16}$ | $9\frac{3}{8}$ | $8\frac{5}{8}$ | $1\frac{13}{32}$ | $1\frac{25}{64}$ | $\frac{3}{4}$ | $3\frac{3}{8}$ | $3\frac{3}{16}$ | $\frac{3}{16}$ | $10\frac{1}{2}$ | $2\frac{1}{16}$ | $5\frac{17}{32}$ | $12\frac{3}{8}$ | $2\frac{5}{8}$ | $13\frac{7}{8}$ | $7\frac{1}{2}$ | $4\frac{1}{8}$ | $2\frac{7}{16}$ | 12 | $\frac{3}{8}$ |
| 18 | $3\frac{3}{8}$ | $16\frac{19}{32}$ | $14\frac{1}{16}$ | $12\frac{13}{16}$ | $2\frac{1}{8}$ | $2\frac{11}{16}$ | $1\frac{1}{4}$ | $5\frac{1}{16}$ | $4\frac{29}{32}$ | $\frac{9}{32}$ | $15\frac{3}{16}$ | $3\frac{3}{32}$ | $8\frac{19}{64}$ | $18\frac{9}{16}$ | $3\frac{15}{16}$ | $20\frac{13}{16}$ | $11\frac{1}{4}$ | $6\frac{3}{16}$ | $3\frac{21}{32}$ | 18 | $\frac{9}{16}$ |



SERIES F LETTERS AND NUMERALS

| HEIGHT (INCHES) | DIMENSIONS (INCHES) | | | | | | | | | | | | | | | | | | | | |
|--------------------|---------------------|-----------------|------------------|-------------------|----------------|------------------|----------------|------------------|----------------|----------------|------------------|------------------|----|-------------------|------------------|------------------|------------------|------------------|-----------------|----------------|-----------------|
| | A | B | C | D | E | F | G | H | I | J | K | L | M | N | O | P | Q | R | S | T | U |
| 2 | $\frac{3}{8}$ | $2\frac{1}{4}$ | $\frac{13}{16}$ | $\frac{127}{32}$ | $\frac{1}{16}$ | $\frac{9}{32}$ | $\frac{1}{4}$ | $\frac{7}{16}$ | $\frac{1}{8}$ | $\frac{1}{32}$ | $\frac{35}{64}$ | $\frac{21}{64}$ | 2 | $1\frac{3}{16}$ | $1\frac{5}{16}$ | $\frac{31}{32}$ | $\frac{59}{64}$ | $\frac{1}{8}$ | $\frac{3}{16}$ | $\frac{1}{2}$ | $\frac{23}{64}$ |
| 3 | $\frac{9}{16}$ | $3\frac{3}{8}$ | $1\frac{7}{32}$ | $2\frac{49}{64}$ | $\frac{3}{32}$ | $\frac{27}{64}$ | $\frac{3}{8}$ | $\frac{21}{32}$ | $\frac{3}{16}$ | $\frac{3}{64}$ | $\frac{13}{16}$ | $\frac{31}{64}$ | 3 | $1\frac{25}{32}$ | $1\frac{31}{32}$ | $\frac{129}{64}$ | $\frac{1}{8}$ | $1\frac{11}{16}$ | $\frac{9}{32}$ | $\frac{3}{4}$ | $\frac{17}{32}$ |
| 4 | $\frac{3}{4}$ | $4\frac{1}{2}$ | $1\frac{5}{8}$ | $3\frac{11}{16}$ | $\frac{1}{8}$ | $\frac{9}{16}$ | $\frac{1}{2}$ | $\frac{7}{8}$ | $\frac{1}{4}$ | $\frac{1}{16}$ | $\frac{1}{32}$ | $\frac{21}{32}$ | 4 | $2\frac{3}{8}$ | $2\frac{5}{8}$ | $1\frac{15}{16}$ | $\frac{127}{32}$ | $2\frac{1}{4}$ | $\frac{3}{8}$ | 1 | $\frac{23}{32}$ |
| 5 | $1\frac{15}{16}$ | $5\frac{5}{8}$ | $2\frac{1}{32}$ | $4\frac{39}{64}$ | $\frac{5}{32}$ | $\frac{45}{64}$ | $\frac{5}{8}$ | $\frac{1}{32}$ | $\frac{5}{16}$ | $\frac{5}{64}$ | $\frac{23}{64}$ | $\frac{13}{16}$ | 5 | $2\frac{31}{32}$ | $3\frac{9}{32}$ | $2\frac{27}{64}$ | $2\frac{19}{64}$ | $2\frac{13}{16}$ | $\frac{15}{32}$ | $1\frac{1}{4}$ | $\frac{57}{64}$ |
| 6 | $1\frac{1}{8}$ | $6\frac{3}{4}$ | $2\frac{7}{16}$ | $5\frac{17}{32}$ | $\frac{3}{16}$ | $\frac{27}{32}$ | $\frac{3}{4}$ | $1\frac{9}{16}$ | $\frac{3}{8}$ | $\frac{3}{32}$ | $\frac{41}{64}$ | $\frac{63}{64}$ | 6 | $3\frac{9}{16}$ | $3\frac{15}{16}$ | $2\frac{29}{32}$ | $2\frac{29}{64}$ | $3\frac{3}{8}$ | $\frac{9}{16}$ | $1\frac{1}{2}$ | $1\frac{5}{64}$ |
| 7 | $1\frac{5}{16}$ | $7\frac{7}{8}$ | $2\frac{27}{32}$ | $6\frac{29}{64}$ | $\frac{7}{32}$ | $\frac{63}{64}$ | $\frac{7}{8}$ | $1\frac{17}{32}$ | $\frac{7}{16}$ | $\frac{7}{64}$ | $\frac{129}{32}$ | $\frac{9}{64}$ | 7 | $4\frac{5}{32}$ | $4\frac{19}{32}$ | $3\frac{25}{64}$ | $3\frac{7}{32}$ | $3\frac{15}{16}$ | $\frac{21}{32}$ | $1\frac{3}{4}$ | $1\frac{1}{4}$ |
| 8 | $1\frac{1}{2}$ | 9 | $3\frac{1}{4}$ | $7\frac{3}{8}$ | $\frac{1}{4}$ | $1\frac{1}{8}$ | 1 | $1\frac{3}{4}$ | $\frac{1}{2}$ | $\frac{1}{8}$ | $2\frac{3}{16}$ | $\frac{5}{16}$ | 8 | $4\frac{3}{4}$ | $5\frac{1}{4}$ | $3\frac{7}{8}$ | $3\frac{11}{16}$ | $4\frac{1}{2}$ | $\frac{3}{4}$ | 2 | $1\frac{7}{16}$ |
| 12 | $2\frac{1}{4}$ | $13\frac{1}{2}$ | $4\frac{7}{8}$ | $11\frac{1}{16}$ | $\frac{3}{8}$ | $1\frac{11}{16}$ | $1\frac{1}{2}$ | $2\frac{5}{8}$ | $\frac{3}{4}$ | $\frac{3}{16}$ | $3\frac{9}{32}$ | $\frac{31}{32}$ | 12 | $7\frac{1}{8}$ | $7\frac{7}{8}$ | $5\frac{13}{16}$ | $5\frac{17}{32}$ | $6\frac{3}{4}$ | $1\frac{1}{8}$ | 3 | $2\frac{5}{32}$ |
| 18 | $3\frac{3}{8}$ | $20\frac{1}{4}$ | $7\frac{5}{16}$ | $16\frac{19}{32}$ | $\frac{9}{16}$ | $2\frac{17}{32}$ | $2\frac{1}{4}$ | $3\frac{13}{16}$ | $1\frac{1}{8}$ | $\frac{9}{32}$ | $4\frac{15}{16}$ | $2\frac{15}{16}$ | 18 | $10\frac{11}{16}$ | $11\frac{3}{16}$ | $8\frac{23}{32}$ | $8\frac{5}{16}$ | $10\frac{1}{8}$ | $1\frac{1}{16}$ | $4\frac{1}{2}$ | $3\frac{1}{4}$ |



SERIES F NUMERALS

| HEIGHT (INCHES) | DIMENSIONS (INCHES) | | | | | | | | | | | | | | | | | | | | | | | | | |
|--------------------|---------------------|-------------------|------------------|-------------------|-----------------|------------------|------------------|----------------|----------------|-------------------|-----------------|------------------|------------------|----------------|----------------|------------------|-----------------|------------------|-------------------|------------------|-------------------|------------------|----------------|----------------|------------------|------------------|
| | A | B | C | D | E | F | G | H | I | J | K | L | M | N | O | P | Q | R | S | T | U | V | W | X | Y | Z |
| 2 | $\frac{3}{8}$ | $\frac{127}{32}$ | $2\frac{1}{16}$ | $1\frac{7}{16}$ | $1\frac{1}{2}$ | $\frac{21}{32}$ | $\frac{3}{16}$ | $\frac{1}{16}$ | $\frac{1}{32}$ | $1\frac{3}{16}$ | $\frac{1}{4}$ | $\frac{9}{16}$ | $\frac{11}{32}$ | 1 | $\frac{3}{4}$ | $1\frac{1}{8}$ | $\frac{3}{32}$ | $\frac{19}{32}$ | $1\frac{13}{32}$ | $\frac{15}{16}$ | $2\frac{3}{32}$ | $\frac{23}{32}$ | $\frac{1}{2}$ | $\frac{1}{4}$ | $\frac{59}{64}$ | $1\frac{29}{32}$ |
| 3 | $\frac{9}{16}$ | $2\frac{49}{64}$ | $3\frac{3}{32}$ | $2\frac{5}{32}$ | $2\frac{1}{4}$ | $\frac{63}{64}$ | $\frac{9}{32}$ | $\frac{3}{32}$ | $\frac{3}{64}$ | $1\frac{25}{32}$ | $1\frac{7}{8}$ | $\frac{27}{32}$ | $\frac{33}{64}$ | $1\frac{1}{2}$ | $1\frac{1}{8}$ | $1\frac{11}{16}$ | $\frac{9}{64}$ | $\frac{57}{64}$ | $2\frac{7}{64}$ | $1\frac{13}{32}$ | $3\frac{27}{64}$ | $1\frac{5}{64}$ | $\frac{3}{4}$ | $\frac{3}{8}$ | $1\frac{3}{8}$ | $2\frac{55}{64}$ |
| 4 | $\frac{3}{4}$ | $3\frac{11}{16}$ | $4\frac{1}{8}$ | $2\frac{7}{8}$ | 3 | $1\frac{5}{16}$ | $\frac{3}{8}$ | $\frac{1}{8}$ | $\frac{1}{16}$ | $2\frac{3}{8}$ | $2\frac{1}{2}$ | $1\frac{1}{8}$ | $\frac{11}{16}$ | 2 | $1\frac{1}{2}$ | $2\frac{1}{4}$ | $\frac{7}{16}$ | $1\frac{1}{8}$ | $2\frac{11}{16}$ | $1\frac{7}{8}$ | $4\frac{3}{16}$ | $1\frac{7}{16}$ | 1 | $1\frac{1}{2}$ | $1\frac{27}{32}$ | $3\frac{13}{16}$ |
| 5 | $\frac{15}{16}$ | $4\frac{39}{64}$ | $5\frac{5}{32}$ | $3\frac{19}{32}$ | $3\frac{3}{4}$ | $1\frac{21}{64}$ | $\frac{15}{32}$ | $\frac{5}{32}$ | $\frac{5}{64}$ | $2\frac{21}{32}$ | $3\frac{1}{8}$ | $1\frac{13}{32}$ | $\frac{55}{64}$ | $2\frac{1}{2}$ | $1\frac{7}{8}$ | $2\frac{11}{16}$ | $\frac{15}{64}$ | $1\frac{31}{64}$ | $3\frac{1}{2}$ | $2\frac{11}{32}$ | $5\frac{45}{64}$ | $1\frac{21}{64}$ | $1\frac{1}{4}$ | $\frac{5}{8}$ | $2\frac{19}{64}$ | $4\frac{49}{64}$ |
| 6 | $1\frac{1}{8}$ | $5\frac{17}{32}$ | $6\frac{3}{16}$ | $4\frac{5}{16}$ | $4\frac{1}{2}$ | $1\frac{31}{32}$ | $\frac{9}{16}$ | $\frac{3}{16}$ | $\frac{3}{32}$ | $3\frac{9}{16}$ | $3\frac{3}{4}$ | $1\frac{11}{16}$ | $1\frac{13}{32}$ | 3 | $2\frac{1}{4}$ | $3\frac{3}{8}$ | $\frac{9}{32}$ | $1\frac{25}{32}$ | $4\frac{7}{32}$ | $2\frac{13}{16}$ | $6\frac{27}{32}$ | $2\frac{5}{32}$ | $1\frac{1}{2}$ | $\frac{3}{4}$ | $2\frac{49}{64}$ | $5\frac{23}{32}$ |
| 7 | $1\frac{5}{16}$ | $6\frac{29}{64}$ | $7\frac{7}{32}$ | $5\frac{1}{32}$ | $5\frac{1}{4}$ | $2\frac{19}{64}$ | $\frac{21}{32}$ | $\frac{7}{32}$ | $\frac{7}{64}$ | $4\frac{5}{32}$ | $4\frac{3}{8}$ | $1\frac{31}{32}$ | $1\frac{13}{64}$ | $3\frac{1}{2}$ | $2\frac{5}{8}$ | $3\frac{15}{16}$ | $\frac{21}{64}$ | $2\frac{59}{64}$ | $4\frac{59}{64}$ | $3\frac{9}{32}$ | $7\frac{63}{64}$ | $2\frac{33}{64}$ | $\frac{3}{4}$ | $\frac{7}{8}$ | $3\frac{7}{32}$ | $6\frac{43}{64}$ |
| 8 | $1\frac{1}{2}$ | $7\frac{3}{8}$ | $8\frac{1}{4}$ | $5\frac{3}{4}$ | 6 | $2\frac{5}{8}$ | $\frac{3}{4}$ | $\frac{1}{4}$ | $\frac{1}{8}$ | $4\frac{3}{4}$ | 5 | $2\frac{1}{4}$ | $1\frac{3}{8}$ | 4 | 3 | $4\frac{1}{2}$ | $\frac{3}{8}$ | $2\frac{3}{8}$ | $5\frac{5}{8}$ | $3\frac{3}{4}$ | $9\frac{1}{8}$ | $2\frac{7}{8}$ | 2 | 1 | $3\frac{11}{16}$ | $7\frac{5}{8}$ |
| 12 | $2\frac{1}{4}$ | $11\frac{1}{16}$ | $12\frac{3}{8}$ | $8\frac{5}{8}$ | 9 | $3\frac{15}{16}$ | $1\frac{1}{8}$ | $\frac{3}{8}$ | $\frac{3}{16}$ | $7\frac{1}{8}$ | $7\frac{1}{2}$ | $3\frac{3}{8}$ | $2\frac{1}{16}$ | 6 | $4\frac{1}{2}$ | $6\frac{3}{4}$ | $\frac{9}{16}$ | $3\frac{9}{16}$ | $8\frac{7}{16}$ | $5\frac{5}{8}$ | $13\frac{11}{16}$ | $4\frac{5}{16}$ | 3 | $1\frac{1}{2}$ | $5\frac{17}{32}$ | $11\frac{1}{16}$ |
| 18 | $3\frac{3}{8}$ | $16\frac{19}{32}$ | $18\frac{9}{16}$ | $12\frac{15}{16}$ | $13\frac{1}{2}$ | $5\frac{29}{32}$ | $1\frac{11}{16}$ | $\frac{9}{16}$ | $\frac{9}{32}$ | $10\frac{11}{16}$ | $11\frac{1}{4}$ | $5\frac{1}{16}$ | $3\frac{3}{32}$ | 9 | $6\frac{3}{4}$ | $10\frac{1}{8}$ | $\frac{27}{32}$ | $5\frac{11}{32}$ | $12\frac{21}{32}$ | $8\frac{7}{16}$ | $20\frac{17}{32}$ | $6\frac{15}{32}$ | $4\frac{1}{2}$ | $2\frac{1}{4}$ | $8\frac{5}{16}$ | $17\frac{5}{32}$ |