



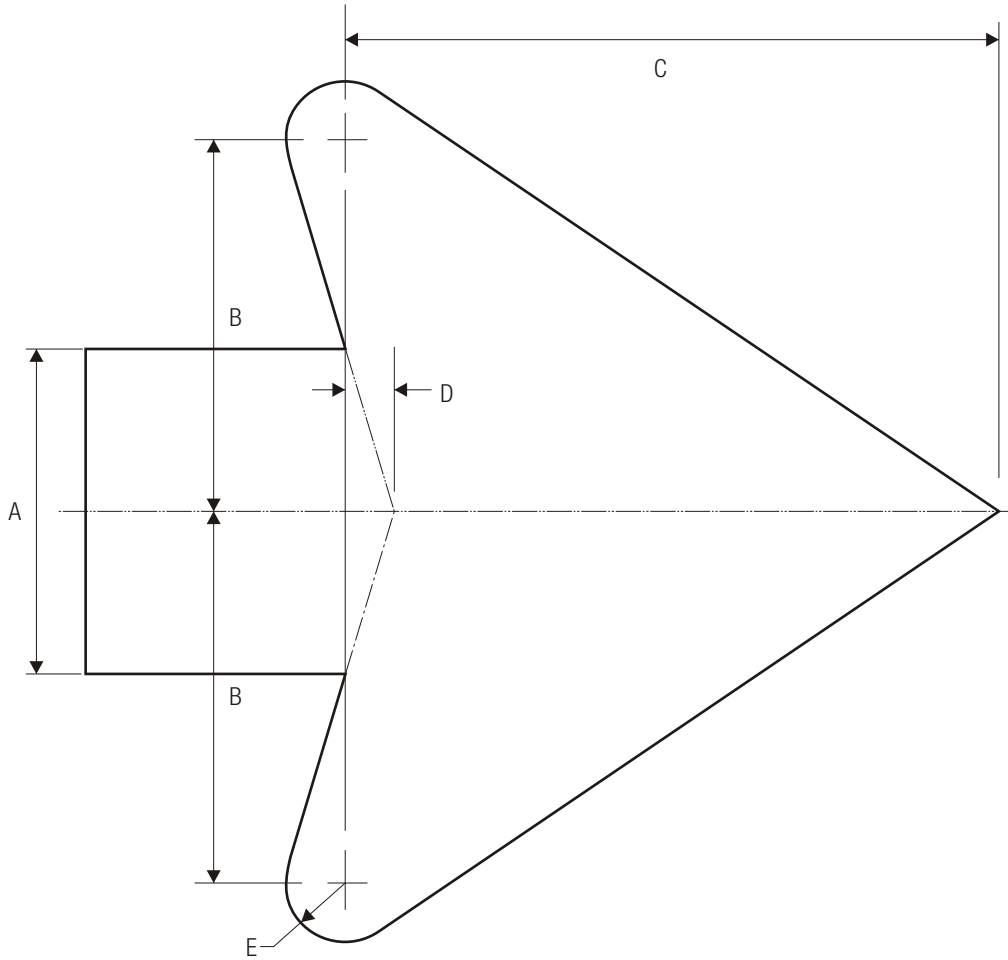
**R3-4**  
U-TURN PROHIBITED

\*See page 6-2 for design.

	A	B	C	D	E	F	G	H	J	K	L	M
<b>C</b>	24	.375	.625	10.5	8.5	2.5	2.5	6	2.25	1.5	2	5
	30	.5	.75	13.125	10.625	3.125	3.125	7.5	2.813	1.875	2.5	6.25
	36	.625	.875	15.75	12.75	3.75	3.75	9	3.375	2.25	3	7.5
	48	.75	1.25	21	17	5	5	12	4.5	3	4	10

COLORS: CIRCLE & DIAGONAL — RED (RETROREFLECTIVE)  
 SYMBOL & BORDER — BLACK  
 BACKGROUND — WHITE (RETROREFLECTIVE)

# STANDARD ARROW DETAILS



A	B	C	D	E
2	2.313	4.313	.313	.375
2.25	2.625	4.5	.375	.438
2.5	2.875	5.063	.375	.5
2.625	3	5.25	.375	.5
2.75	3	5.563	.438	.563
3	3.5	6.125	.438	.563
3.125	3.625	6.375	.5	.625
3.25	3.75	6.625	.5	.625
3.313	3.813	6.688	.5	.688
3.5	4	7.125	.563	.688
3.75	4.313	7.625	.563	.75
4	4.625	8.125	.625	.813
4.063	4.75	8.25	.625	.813
4.25	4.875	8.625	.625	.813
4.375	5	8.875	.688	.875
4.5	5.188	9.125	.688	.875

A	B	C	D	E
4.75	5.438	9.625	.75	1
4.875	5.625	9.875	.75	1
5	5.75	10.125	.75	1
5.25	6	10.625	.813	1.063
5.5	6.375	11.125	.875	1.125
5.75	6.625	11.688	.875	1.125
6	6.875	12.188	.938	1.188
6.5	7.5	13.188	1	1.625
7	8	14.188	1.063	1.375
7.5	8.625	15.188	1.125	1.5
8	9.188	16.25	1.25	1.625